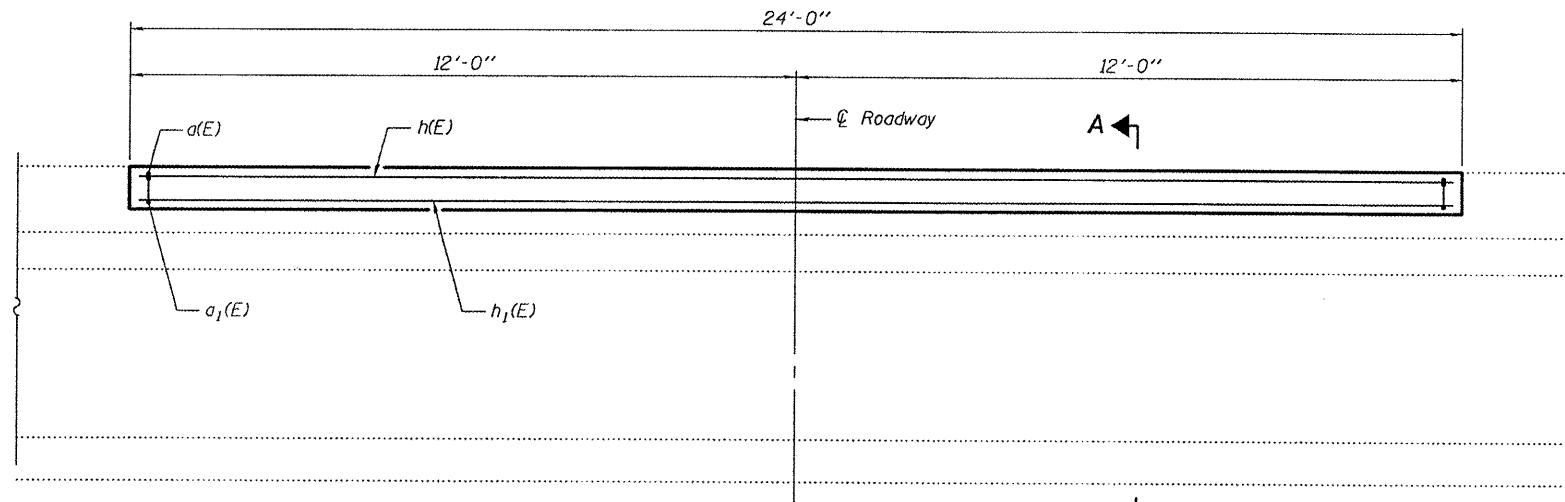
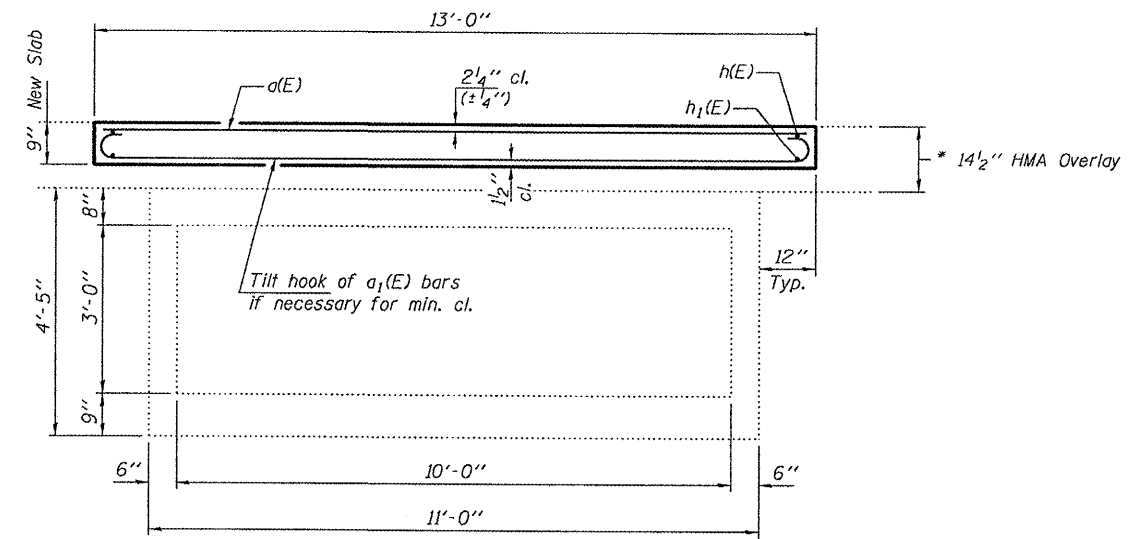


STATE OF ILLINOIS
DEPARTMENT OF TRANSPORTATION

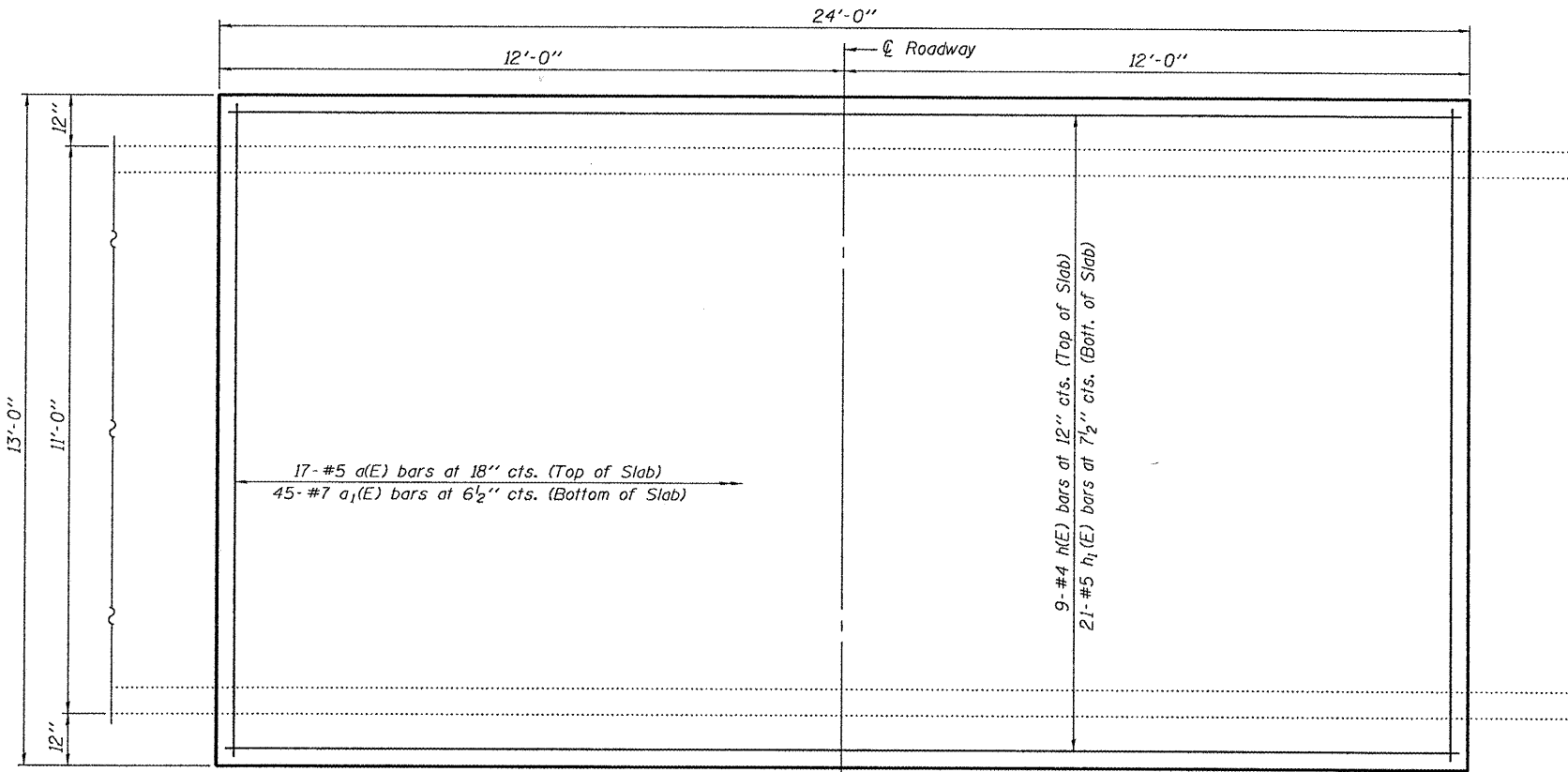


LONGITUDINAL SECTION



SECTION A-A

* Remove 9" of existing HMA overlay and replace with 9" concrete slab as shown. Thickness verified from 08/27/2008 coring report. Slope to match roadway. Cost of removal included with Hot-Mix Asphalt Surface Removal.



PLAN

GENERAL NOTES

Plan dimensions and details relative to existing plans are subject to nominal construction variations. The Contractor shall field verify existing dimensions and details affecting new construction and make necessary approved adjustments prior to construction or ordering of materials. Such variations shall not be cause for additional compensation for a change in scope of the work, however, the Contractor will be paid for the quantity actually furnished at the unit price bid for the work.

Reinforcement bars shall conform to the requirements of ASTM A 706 Gr 60. See Special Provisions.

Reinforcement bars designated (E) shall be epoxy coated.

The deck surface shall have its final finish tined according to Article 420.09(e)(1) of the Standard Specifications. Cost included with Concrete Superstructure.

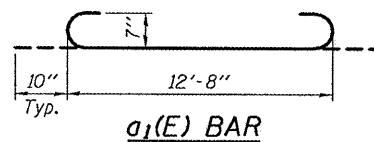
BILL OF MATERIAL

Bar	No.	Size	Length	Shape	
a(E)	17	#5	12'-8"	—	
a1(E)	45	#7	14'-4"	⌋	
h(E)	9	#4	23'-8"	—	
h1(E)	21	#5	23'-8"	—	
Hot-Mix Asphalt Surface Removal				Sq. Yds.	34.7
Reinforcement Bars, Epoxy Coated				Pound	2200
Concrete Superstructure				Cu. Yds.	8.7

DESIGN STRESSES

FIELD UNITS

f'c = 3,500 psi
fy = 60,000 psi (Reinf.)



SLAB DETAILS
SN 021-8046



DESIGNED *U. C. H. Veliz*
CHECKED *[Signature]*
DRAWN *baliva*
CHECKED *[Signature]*

FEBRUARY 10, 2010
EXAMINED *[Signature]*
PASSED *Ralph E. Anderson*
ENGINEER OF BRIDGES AND STRUCTURES

Expires: November 30, 2010

SHEET NO. 1 1 SHEETS	F.A.S. RTE.	SECTION	COUNTY	TOTAL SHEETS	SHEET NO.
	1671	FY 2010 POSTING MITIGATION	DOUGLAS	16	7
		CONTRACT NO. 70814			
		FED. ROAD DIST. NO.	ILLINOIS	FED. AID PROJECT	