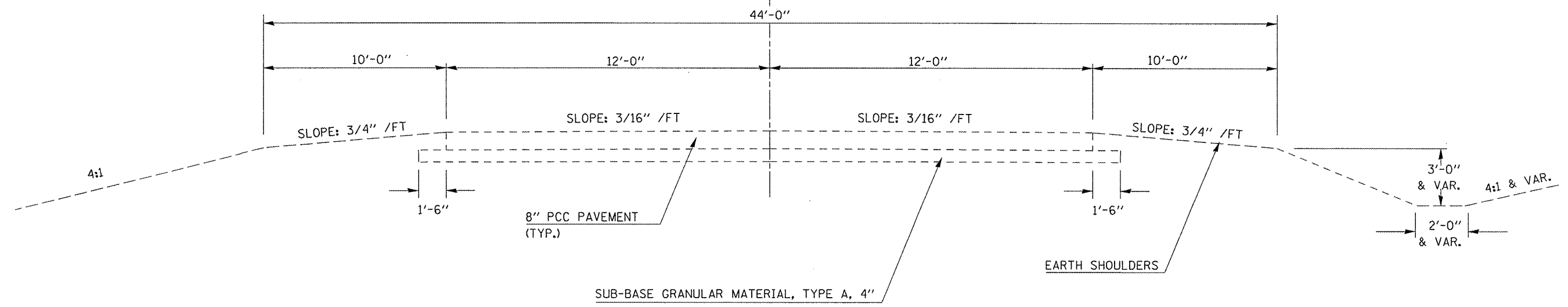


1 EXISTING TYPICAL CROSS SECTION
F.A.S. 684 (CLINTON RD.)

STATION	TO	STATION
27+50.00		117+75.69 ②
② 131+19.86		132+65.46 ②
② 155+04.37		312+33.50 ②
② 329+08.31		358+00.32 ③
③ 365+95.32		366+88.77 ③
③ 374+67.44		438+65.45 ②



2 EXISTING TYPICAL CROSS SECTION SUPERELEVATION
F.A.S. 684 (CLINTON RD.)

A-0.08 FT/FT			B-0.07 FT/FT		
STATION	TO	STATION	STATION	TO	STATION
① 117+75.69		131+19.86 ①	① 312+33.50		329+08.31 ①
① 132+65.46		155+04.37 ①	① 438+65.45		444+00.59

