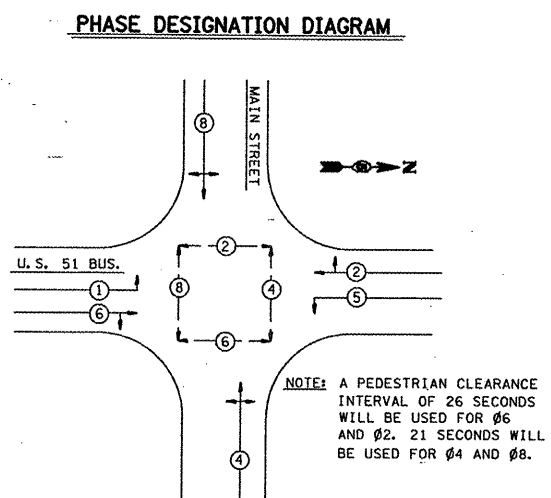
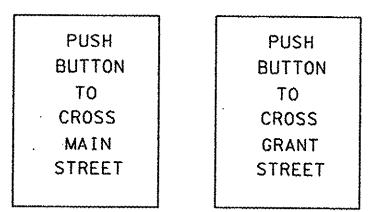
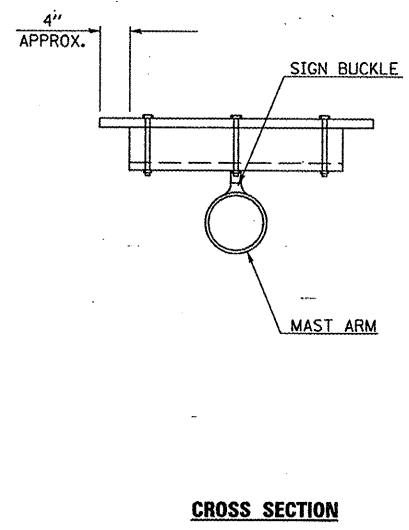
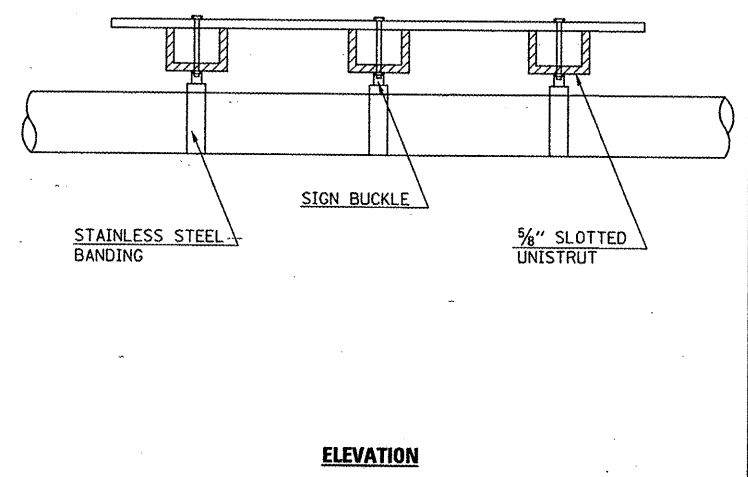
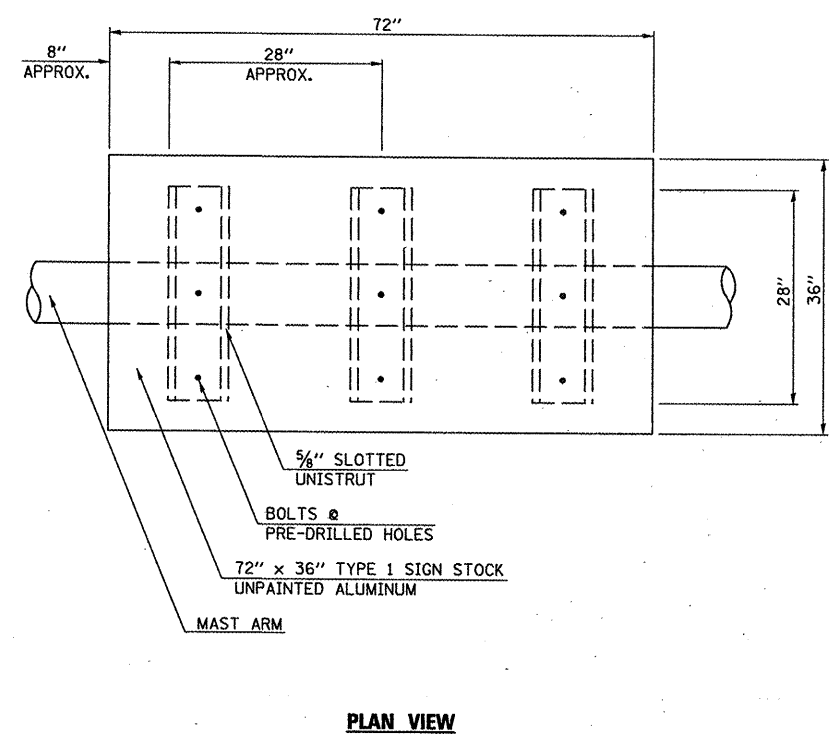


**DETAIL OF SERVICE INSTALLATION MOUNTED ON CONTROLLER CABINET**



**MAST ARM DAMPENING DEVICE MOUNTING DETAIL**



NOTE: PAINT ENDS OF UNISTRUT WITH SPRAY ON GALVANIZED PAINT

FILE NAME =	USER NAME = biggard	DESIGNED -	REVISED -
c:\pwwork\pwwork\BIGGARD\0145306\7882	shht_signals-fishers.dgn	DRAWN -	REVISED -
	PLOT SCALE = 40.0000' / IN.	CHECKED -	REVISED -
	PLOT DATE = 2/19/2018	DATE -	REVISED -

**STATE OF ILLINOIS  
DEPARTMENT OF TRANSPORTATION**

\* F.A.P. 708 & F.A.S. 1517  
\*\* DEWITT & MCLEAN

SCALE: SHEET NO. OF SHEETS STA. TO STA.

F.A. RTE.	SECTION	COUNTY	TOTAL SHEETS	SHEET NO.
•	4TS & 49TS	• •	12	10
CONTRACT NO. 70821				
ILLINOIS FED. AID PROJECT				