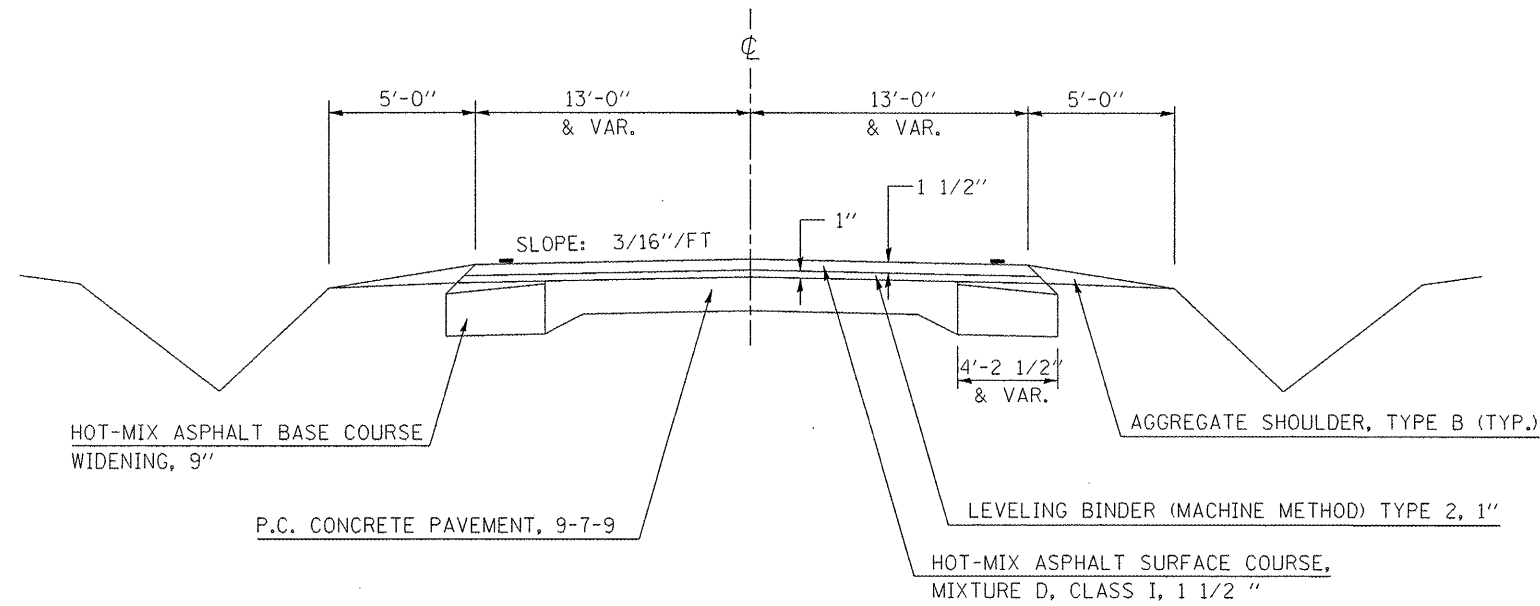


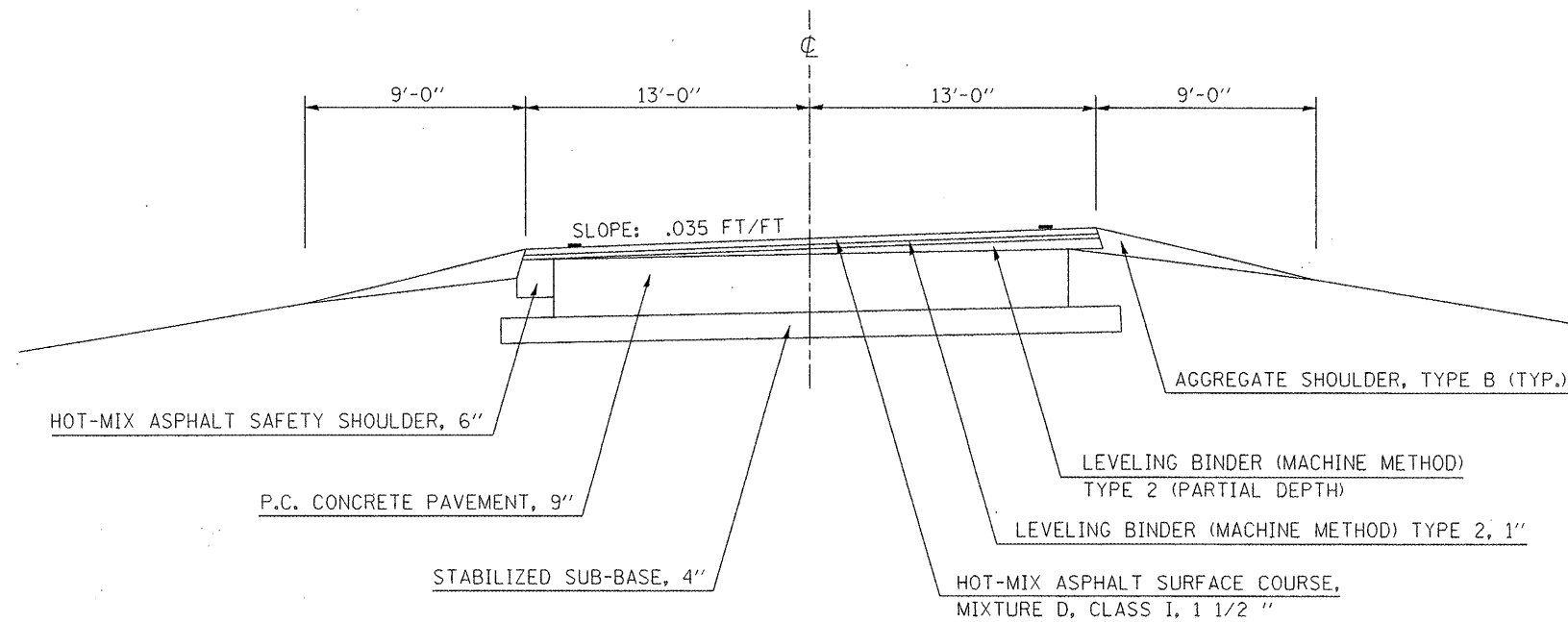
1 EXISTING TYPICAL SECTION FAS 533

STATION TO STATION
106+08.50 113+86.00



2 EXISTING TYPICAL SECTION FAS 533

STATION TO STATION
113+86.00 114+87.82(BK)
109+05.49(AH) 133+78.69



FILE NAME =	USER NAME = keysrb	DESIGNED -	REVISED -
cs\pwwork\PH1001\KEYSRB\0178439\0578	24-sh-typical.dgn	DRAWN -	REVISED -
	PLOT SCALE = 48.0000' / IN.	CHECKED -	REVISED -
	PLOT DATE = 2/3/2010	DATE -	REVISED -

STATE OF ILLINOIS
DEPARTMENT OF TRANSPORTATION

EXISTING TYPICAL SECTION

SCALE: SHEET NO. OF SHEETS STA. TO STA.

F.A.S. RTE.	SECTION	COUNTY	TOTAL SHEETS	SHEET NO.
533	160PT	CHAMPAIGN	7	4
CONTRACT NO. 70824				
ILLINOIS FED. AID PROJECT				