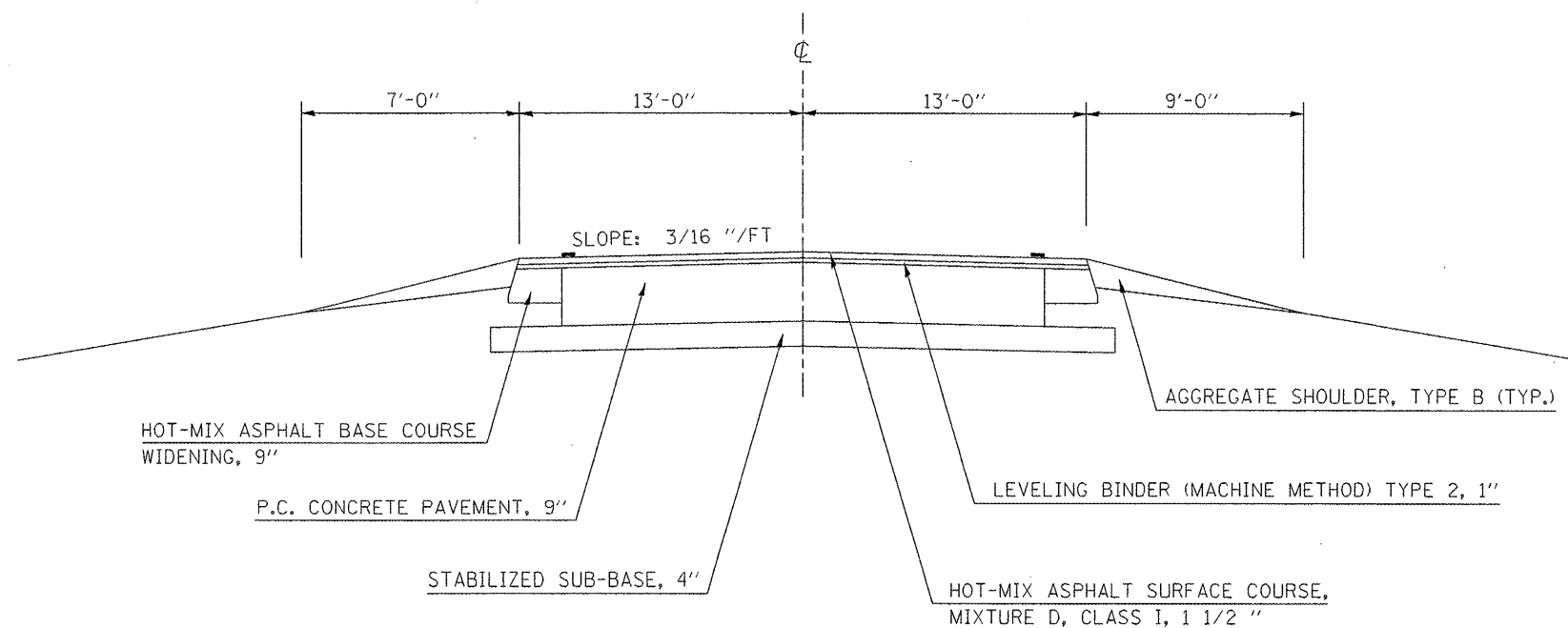


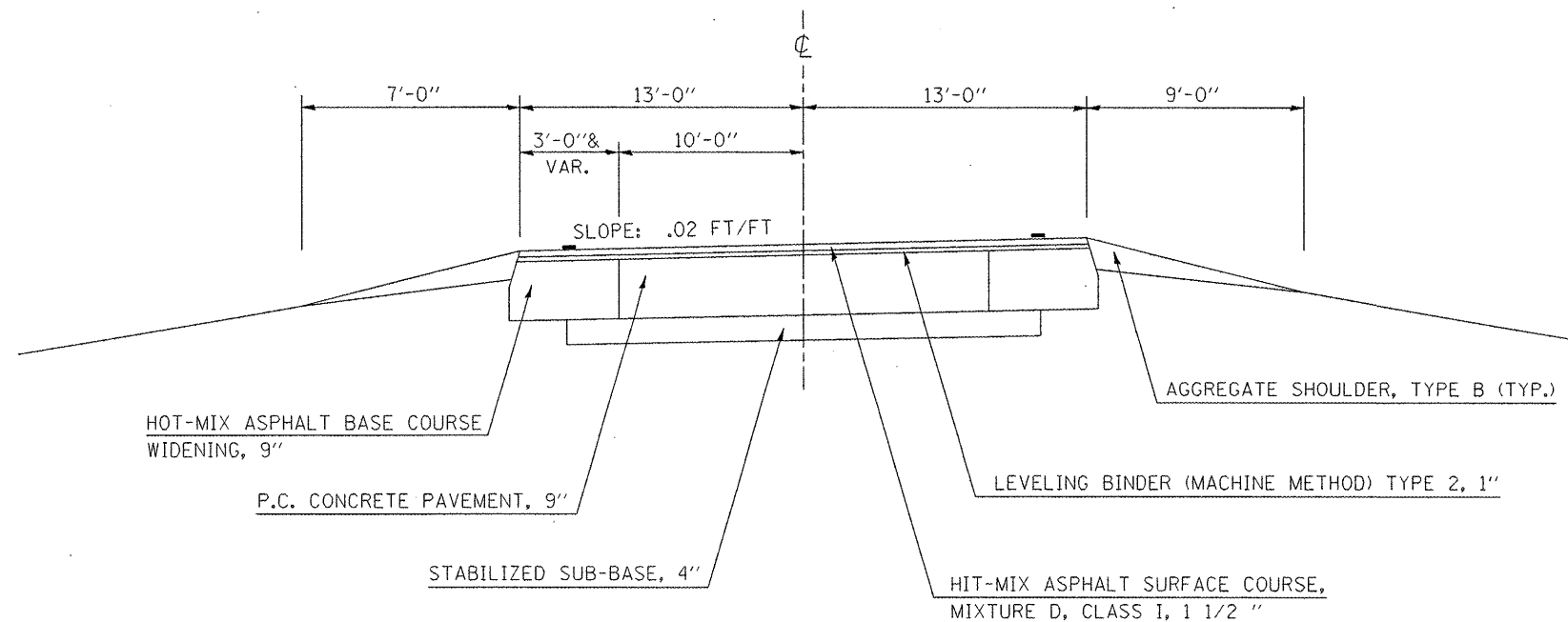
③ EXISTING TYPICAL SECTION FAS 533

STATION TO STATION
133+78.69 148+78.20



④ EXISTING TYPICAL SECTION FAS 533

STATION TO STATION
148+78.20 162+30.65



FILE NAME =
c:\pw_work\p\WIDOT\KEYSRB\d0178439\0570824-sh-typical.dgn

USER NAME = keyarb
PLOT SCALE = 40.0000' / IN.
PLOT DATE = 2/3/2010

DESIGNED -
DRAWN -
CHECKED -
DATE -

REVISED -
REVISED -
REVISED -
REVISED -

STATE OF ILLINOIS
DEPARTMENT OF TRANSPORTATION

EXISTING TYPICAL SECTION

SCALE: SHEET NO. OF SHEETS STA. TO STA.

F.A.S. RTE. 533	SECTION 160PT	COUNTY CHAMPAIGN	TOTAL SHEETS 7	SHEET NO. 5
CONTRACT NO. 70824				
ILLINOIS FED. AID PROJECT				