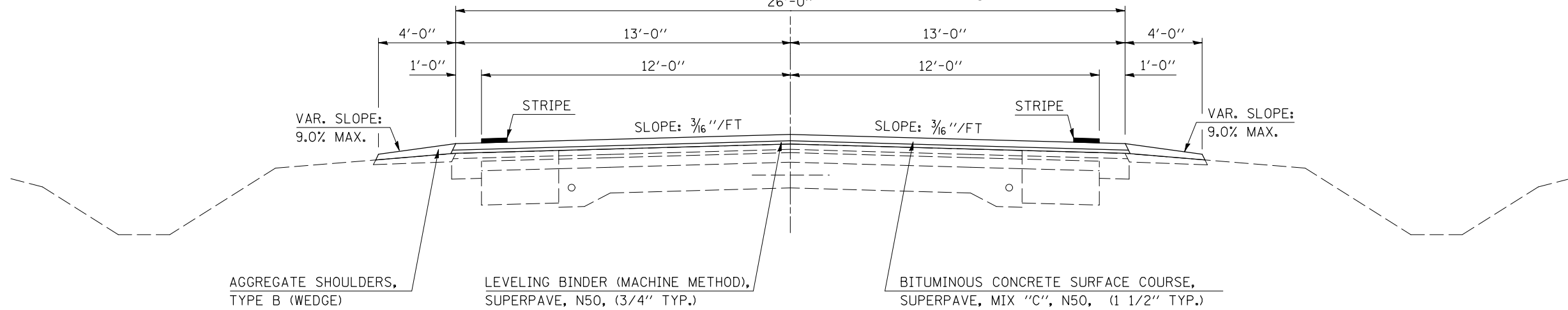


LOCATION 1

1A EXISTING TYPICAL CROSS SECTION

STATION	TO	STATION
423+53.00		474+24.59(BK)
474+31.59(AH)		620+49.36(BK)
0+00.00(AH)		67+84.00(BR OMISS)
70+76.00(BR OMISS)		95+32.00RT (1B)
		96+11.00LT (1B)
(1B) 103+19.00RT		115+65.00 (1C)
(1B) 103+08.00LT		
(1C) 131+35.00		156+77.84 (1D)

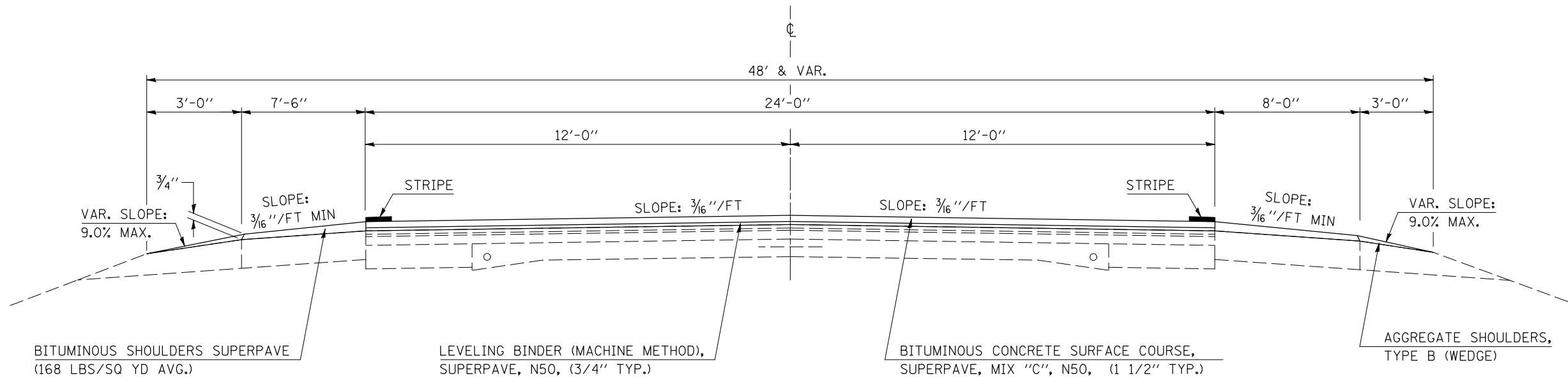


NOTE:
CHAMPAIGN/VERMILION COUNTY LINE STATION 56+28

LOCATION 1

1B EXISTING TYPICAL CROSS SECTION

STATION	TO	STATION
(1A) 95+32.00RT		103+19.00RT (1A)
(1A) 96+11.00LT		103+08.00LT (1A)



*D5 CRACK & JOINT SEAL 2010-2

FILE NAME =	USER NAME = craigre	DESIGNED - JAH	REVISED -	STATE OF ILLINOIS DEPARTMENT OF TRANSPORTATION	EXISTING TYPICAL CROSS SECTIONS LOCATION 1	F.A.P. RTE.	SECTION	COUNTY	TOTAL SHEETS	SHEET NO.	
ct:\pw\work\PWIDOT\CRAIGRE\d0176226\0570830-sht-typicals.dgn		DRAWN -	REVISED -			709	*	VARIOUS	24	11	
PLOT SCALE = 40.0000' / IN.		CHECKED -	REVISED -			CONTRACT NO. 70830					
PLOT DATE = 2/4/2010		DATE - 12-23-09	REVISED -			SCALE:	SHEET NO. 1 OF 7 SHEETS	STA.	TO STA.	ILLINOIS FED. AID PROJECT	