

LOCATION 2

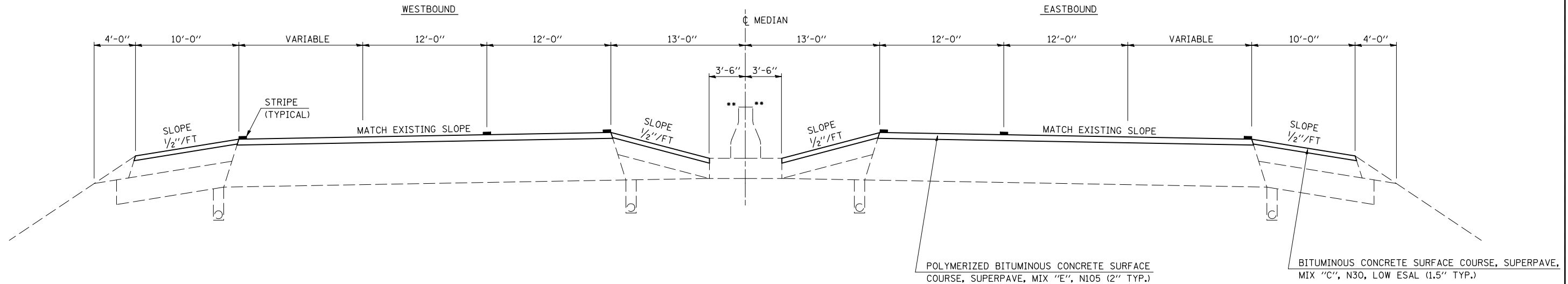
2C

EXISTING TYPICAL CROSS SECTION

2 LANES AT RAMPS AND TRANSITIONS

PAVING OMISSIONS: S.N. 010-0024
 EB STA 1320+35.74 TO STA 1322+80.08
 WB STA 1320+43.38 TO STA 1322+86.74

STATION	TO	STATION
2B 1124+00.00		1161+60.00 2D
2D 1236+00.00		1272+00.00 2D
2D 1296+00.00		1350+00.00 2A



** CONCRETE MEDIAN BARRIER ENDS AT STA. 1345+00.00 & BITUMINOUS SHOULDER TRANSITIONS STA. 1345+00.00 TO STA. 1350+00.00

LOCATION 2

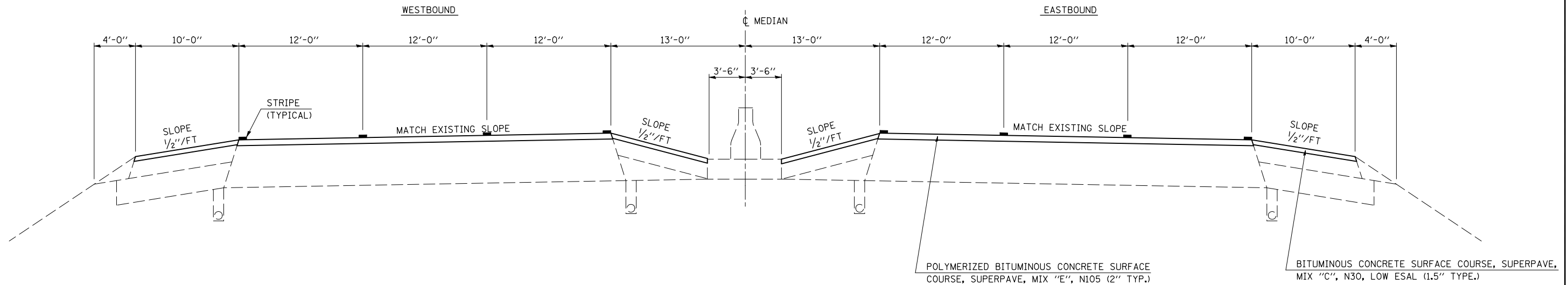
2D

EXISTING TYPICAL CROSS SECTION

(3 LANE)

PAVING OMISSIONS:
 S.N. 010-0020
 EB STA 1198+83.64 TO STA 1201+28.89
 WB STA 1198+83.35 TO STA 1201+29.29
 S.N. 010-0021
 EB STA 1214+77.68 TO STA 1223+01.68
 WB STA 1214+97.95 TO STA 1223+22.59
 S.N. 010-0022/23
 EB STA 1279+20.00 TO STA 1280+70.00
 WB STA 1279+10.00 TO STA 1280+60.00

STATION	TO	STATION
2C 1161+60.00		1167+00.00 2E
2E 1200+78.85		1236+00.00 2C
2C 1272+00.00		1296+00.00 2C



*D5 CRACK & JOINT SEAL 2010-2

FILE NAME =	USER NAME = craige	DESIGNED - JAH	REVISED -	STATE OF ILLINOIS DEPARTMENT OF TRANSPORTATION	EXISTING TYPICAL CROSS SECTION LOCATION 2			F.A.I. RTE. = 74	SECTION = *	COUNTY = VARIOUS	TOTAL SHEETS = 24	SHEET NO. = 14
et:\pw\work\PIWIDOT\CRAIGRE\d0176226\0570830-sht-typicals.dgn	PLOT SCALE = 40.0000' / IN.	DRAWN -	REVISED -		SCALE:	SHEET NO. 4 OF 7 SHEETS	STA.	TO STA.	CONTRACT NO. 70830			
	PLOT DATE = 2/4/2010	CHECKED -	REVISED -		ILLINOIS FED. AID PROJECT							
		DATE - 12-23-09	REVISED -									