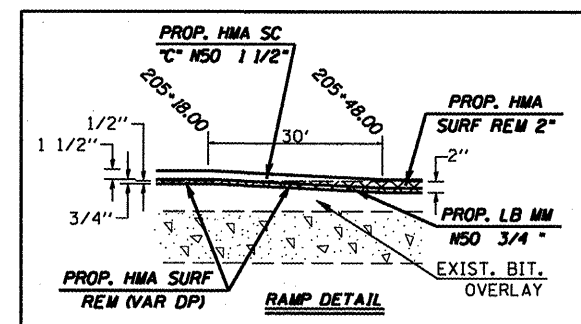
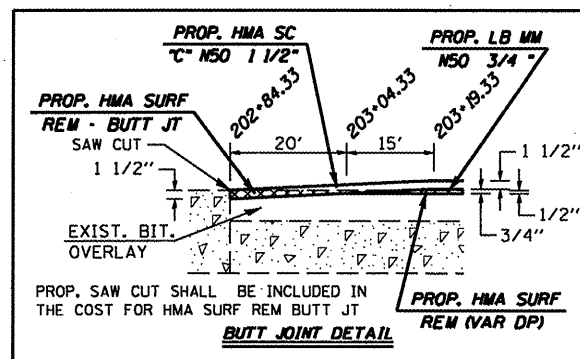
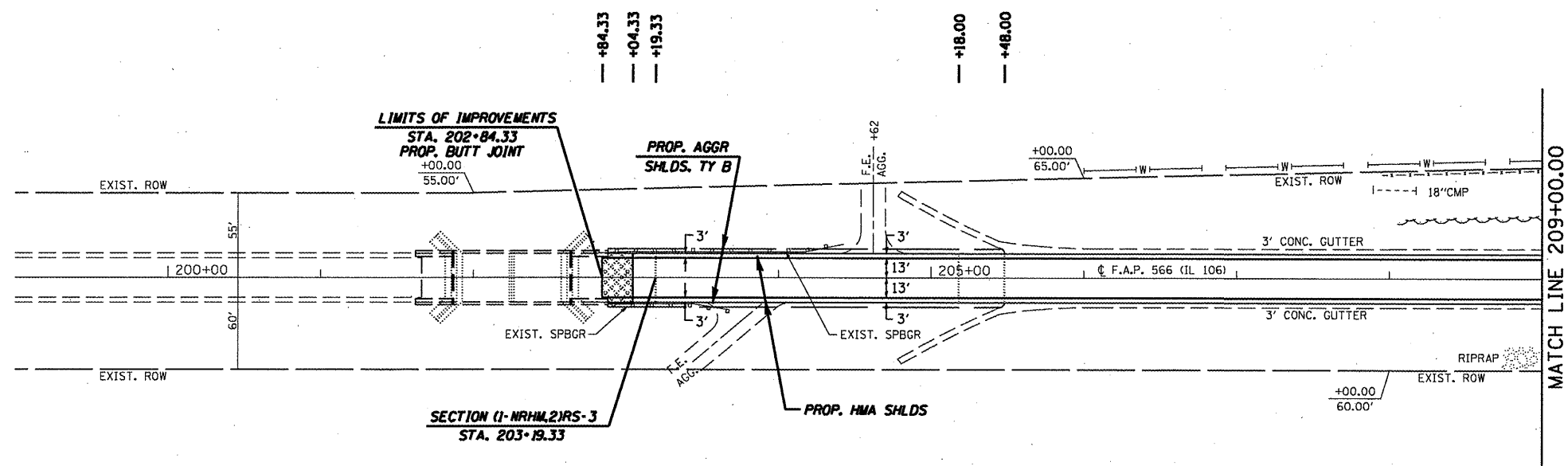


S.N. 086-0013 over  
LITTLE SANDY CREEK  
@ STA. 202+25.20

 PROP. HOT-MIX ASPHALT SURFACE  
REMOVAL - BUTT JOINT



FILE NAME =	USER NAME = coxjm	DESIGNED - RSC	REVISED -	<b>STATE OF ILLINOIS DEPARTMENT OF TRANSPORTATION</b>	<b>PLAN SHEETS</b>			F.A.P. RTE.	SECTION	COUNTY	TOTAL SHEETS	SHEET NO.
ct:\pwwork\pwwork\coxjm\dms23631\shp121713.dgn	DRAWN - JWC	REVISED -	566					(1-NRHM,2RS-3)	Scott	30	15	
PLOT SCALE = 100.0000' / IN.	CHECKED - RSC	REVISED -	CONTRACT NO. 72882									
PLOT DATE = Aug-19-2009 08:31:00AM	DATE -	REVISED -	ILLINOIS FED. AID PROJECT									
				SCALE: 50	SHEET NO. 1 OF 13 SHEETS	STA. 199+00.00 TO STA. 209+00.00						