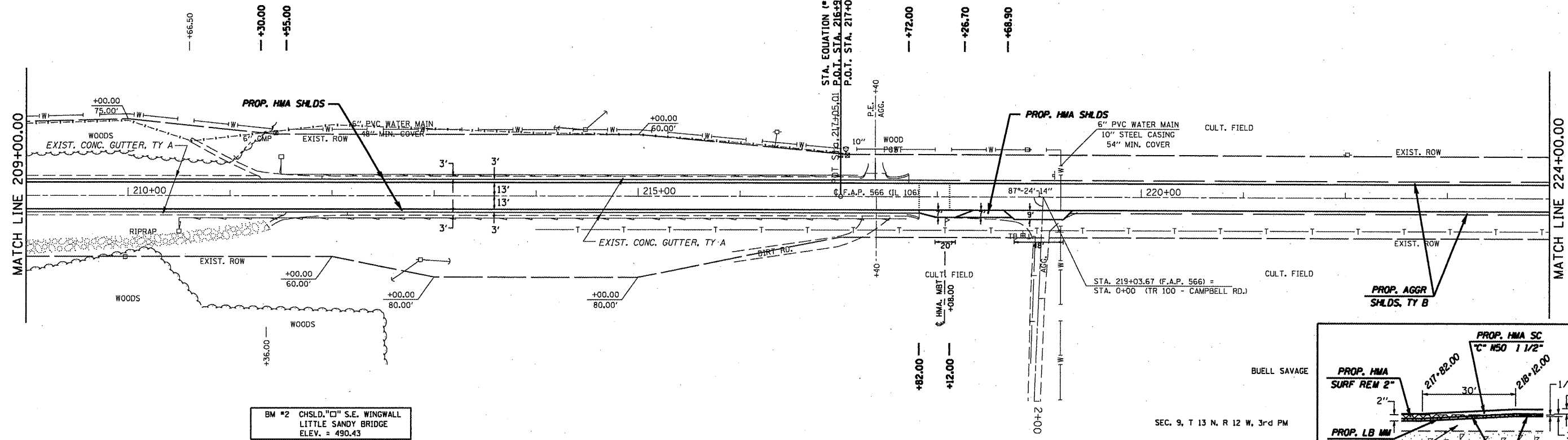


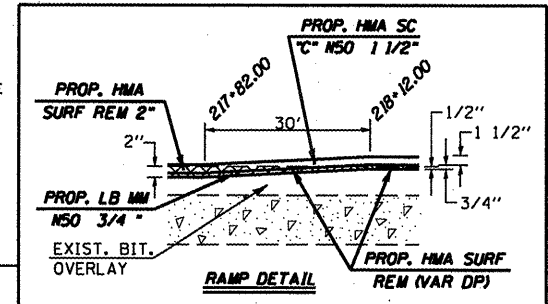


SEC. 10, T 13 N, R 12 W, 3rd PM

STERLING & FRANCES SHAFER  
C/O KEVIN & TINA BROWN



BM #2 CHSLD. 10" S.E. WINGWALL  
LITTLE SANDY BRIDGE  
ELEV. = 490.43

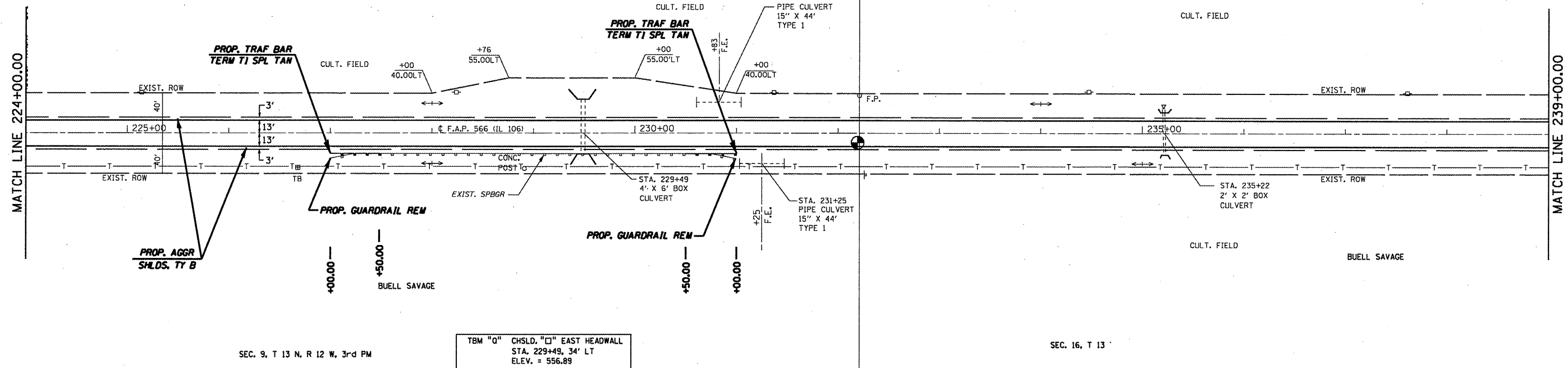


SEC. 10, T 13 N, R 12 W, 3rd PM

STERLING & FRANCES SHAFER  
C/O KEVIN & TINA BROWN



SEC. 15, T 13 N, R 12 W, 3rd PM



TBM #0 CHSLD. 10" EAST HEADWALL  
STA. 229+49, 34' LT  
ELEV. = 556.89

SEC. 9, T 13 N, R 12 W, 3rd PM

SEC. 16, T 13

FILE NAME =	USER NAME = coxjm	DESIGNED - RSC	REVISED -	<b>STATE OF ILLINOIS DEPARTMENT OF TRANSPORTATION</b>	<b>PLAN SHEETS</b>				F.A.P. RTE. =	SECTION	COUNTY	TOTAL SHEETS	SHEET NO.
ca:\pm_wor\k\p\dot\coxjm\dms23631\sh\p\en0.dgn		DRAWN - JWC	REVISED -		566	(1-NRHM,2RS-3)	Scott	30	16				
PLOT SCALE = 1/8" = 100.0000' / IN.		CHECKED - RSC	REVISED -		CONTRACT NO. 72882								
PLOT DATE = Aug-19-2009 08:12:34AM		DATE -	REVISED -		FED. ROAD DIST. NO. [ILLINOIS] FED. AID PROJECT								