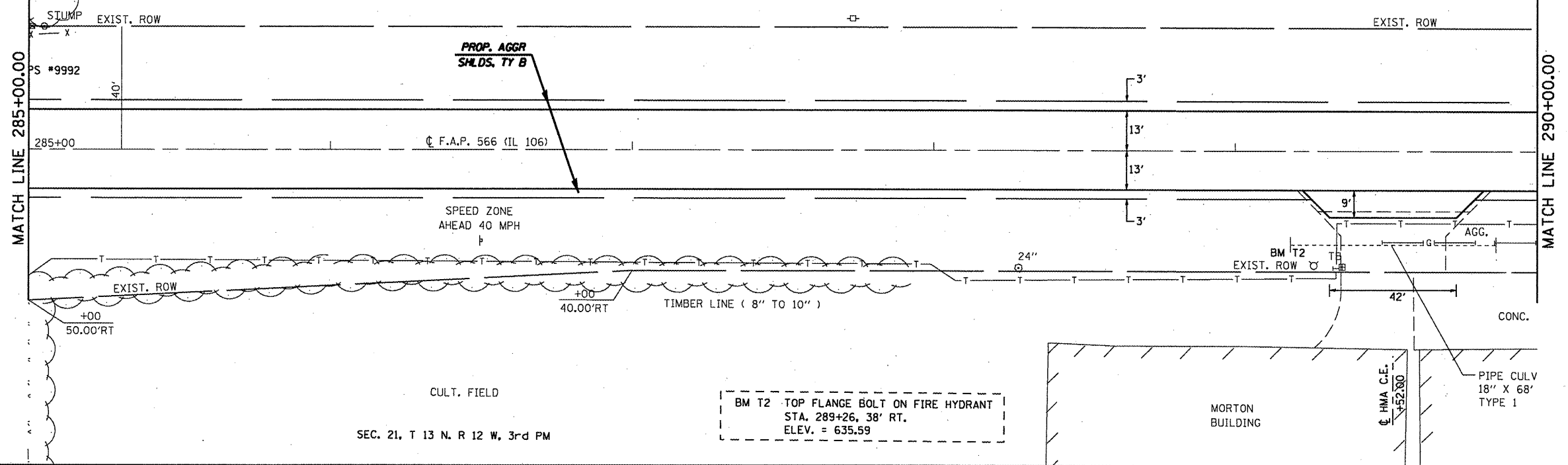


SEC. 22, T 13 N. R 12 W, 3rd PM

CULT. FIELD

44"



SEC. 21, T 13 N. R 12 W, 3rd PM

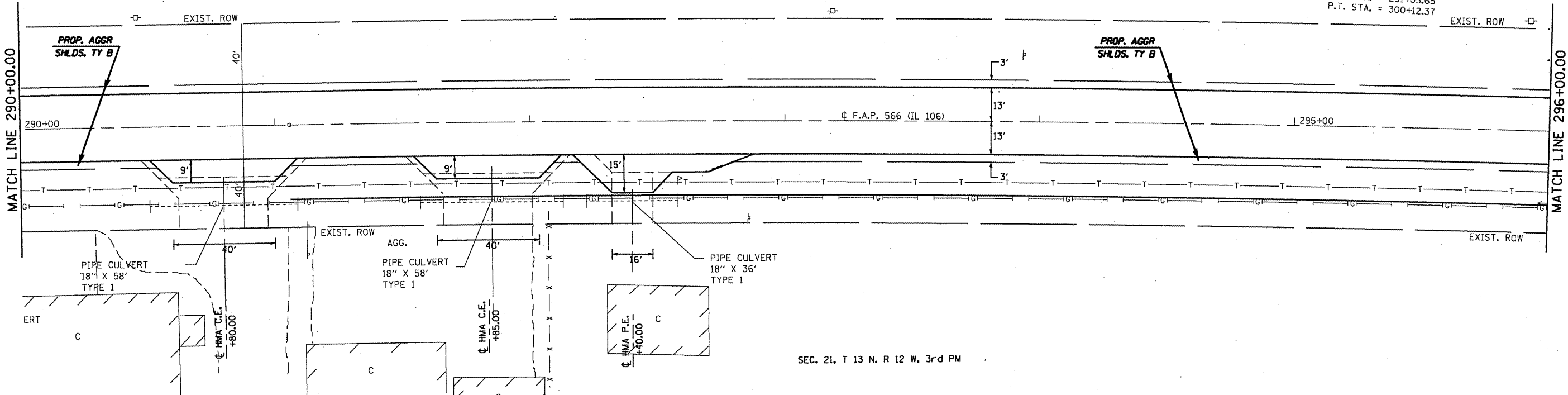
BM T2 TOP FLANGE BOLT ON FIRE HYDRANT
STA. 289+26, 38' RT.
ELEV. = 635.59

EXIST. CURVE 105
PI STA. = 295+59.25
 $\Delta = 4^\circ 32' 02''$ (RT)
D = 0° 30' 00"
R = 11,458.47'
T = 453.60'
L = 906.73'
E = 8.97'
e = -----
T.R. = -----
S.E. RUN = -----
P.C. STA. = 291+05.65
P.T. STA. = 300+12.37

CULT. FIELD



CULT. FIELD



SEC. 21, T 13 N. R 12 W, 3rd PM

FILE NAME =	USER NAME = coxjm	DESIGNED - RSC	REVISED -	STATE OF ILLINOIS DEPARTMENT OF TRANSPORTATION	PLAN SHEETS		F.A.P. RTE. 566	SECTION (I-NRHM,21RS-3)	COUNTY Scott	TOTAL SHEETS 30	SHEET NO. 19	
os:\pwork\PW1001\COXJM\dms23631\shp1e28.dgn		DRAWN - JWC	REVISED -		SCALE: 20	SHEET NO. 5 OF 13 SHEETS	STA. 285+00.00 TO STA. 296+00.00	FED. ROAD DIST. NO.	ILLINOIS FED. AID PROJECT	CONTRACT NO. 72882		
PLOT SCALE = 42.0000 / IN.		CHECKED - RSC	REVISED -									
PLOT DATE = Aug-19-2009 07:56:25AM		DATE -	REVISED -									