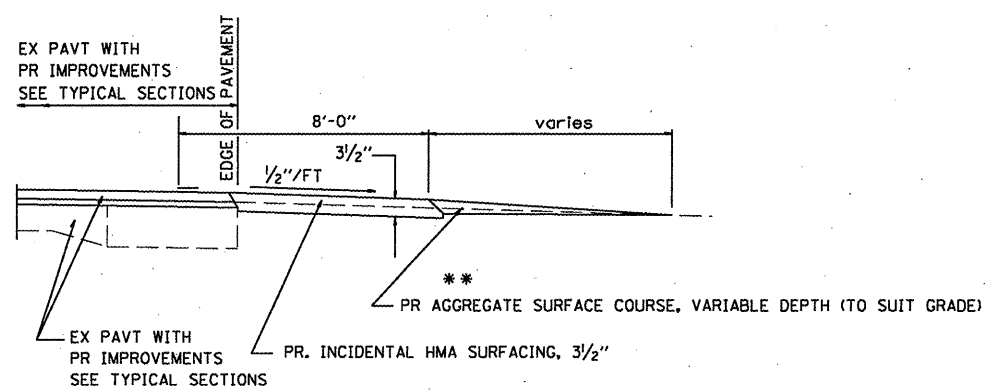
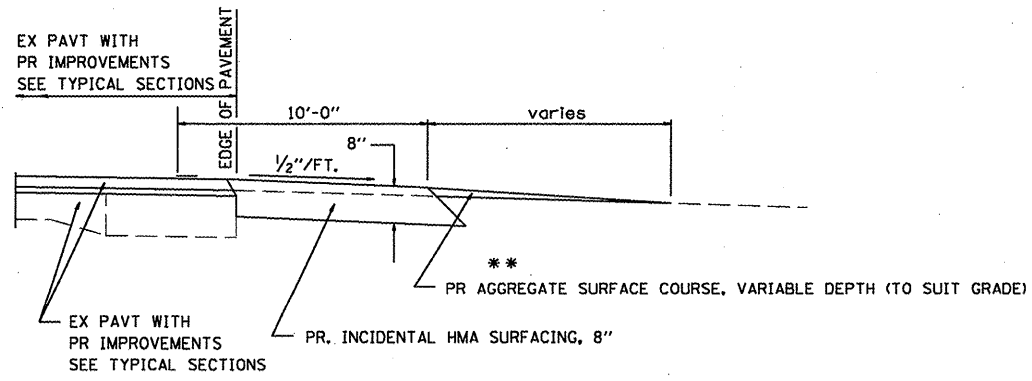


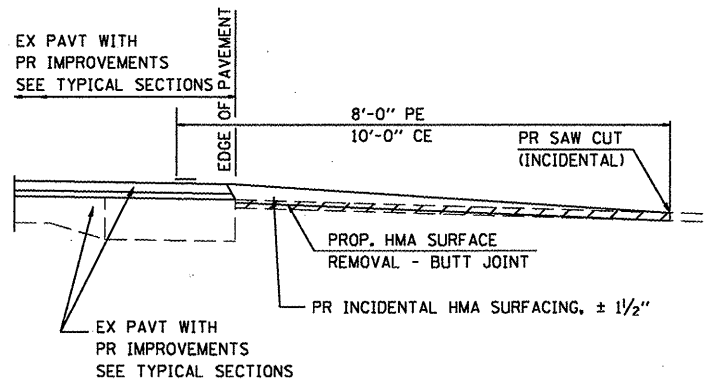
SECTION A-A FOR EX EARTH/ AGGREGATE FE



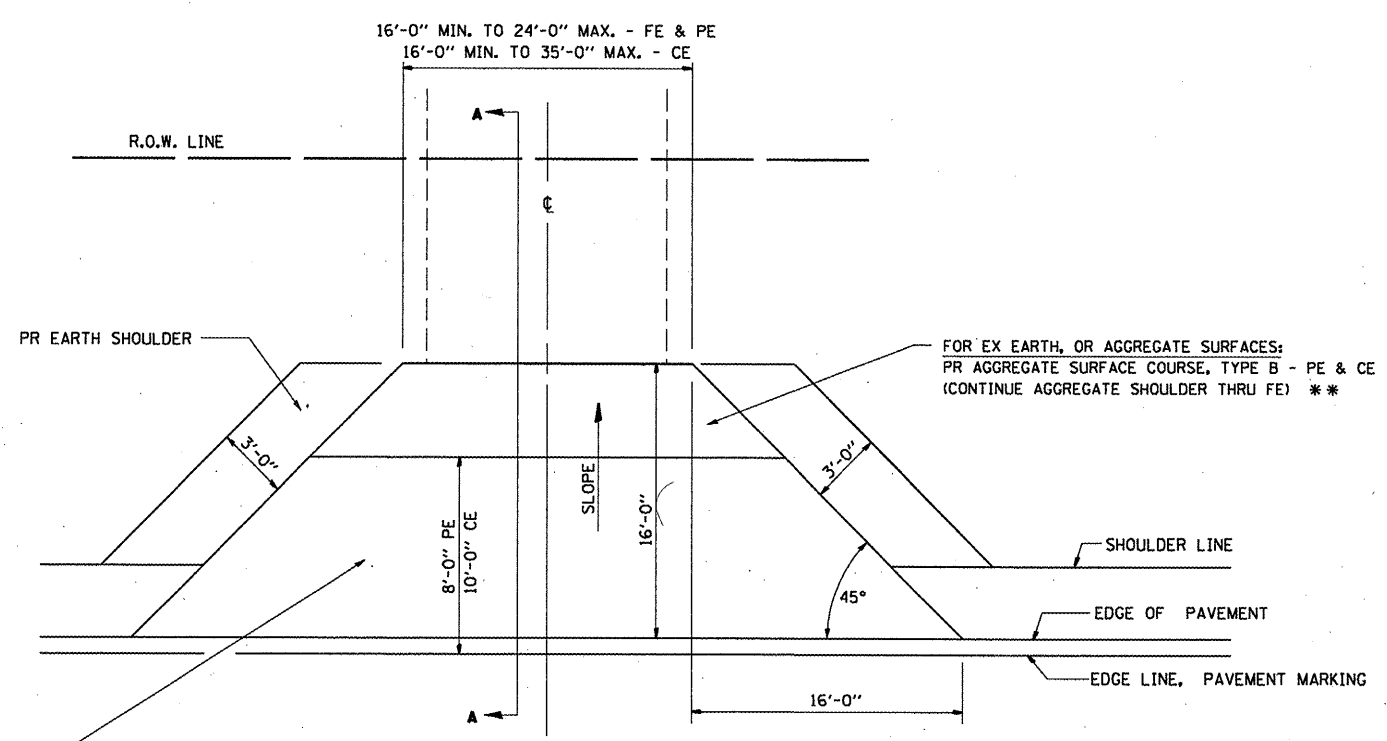
SECTION A-A FOR EX EARTH/AGGREGATE PE



SECTION A-A FOR EX EARTH/AGGREGATE CE & SIDE ROAD



SECTION A-A FOR EX BITUMINOUS/ PC CONCRETE PE, CE & SIDE ROAD



FOR EX EARTH OR AGGREGATE SURFACES:
 PR HMA SURFACE REMOVAL - BUTT JOINT (IF APPLICABLE)
 PR AGGREGATE SHOULDER, TYPE B THRU - FE
 PR INCIDENTAL HMA SURFACING, 3/2" - PE
 PR INCIDENTAL HMA SURFACING, 8" - CE

FOR HMA OR P.C. CONCRETE SURFACES:
 PR HMA SURFACE REMOVAL - BUTT JOINT

GENERAL NOTES:

THE RESIDENT ENGINEER WILL DETERMINE THE EXACT TYPE OF IMPROVEMENT TO BE COMPLETED FOR ALL ENTRANCES, SIDEROADS AND MAILBOX TURNOUTS ON THIS PROJECT.

THE PLAN DETAILS AND SCHEDULES SHOULD BE USED AS A GUIDE FOR THE ENGINEER TO IMPLEMENT THE FINAL DESIGN. THE ENGINEER MAY DECIDE TO SALVAGE PORTIONS OF THE EXISTING ENTRANCE PAVEMENT STRUCTURE; THEREFORE, REDUCING PAY ITEM QUANTITIES. NO ADDITIONAL PAYMENT WILL BE ALLOWED FOR THIS REDUCTION IN QUANTITIES.

ANY WORK THE ENGINEER REQUIRES WHICH IS NOT COVERED BY A PAY ITEM CONTAINED IN THE PLANS WILL BE PAID FOR IN ACCORDANCE WITH ARTICLE 109.04 OF THE STANDARD SPECIFICATIONS.

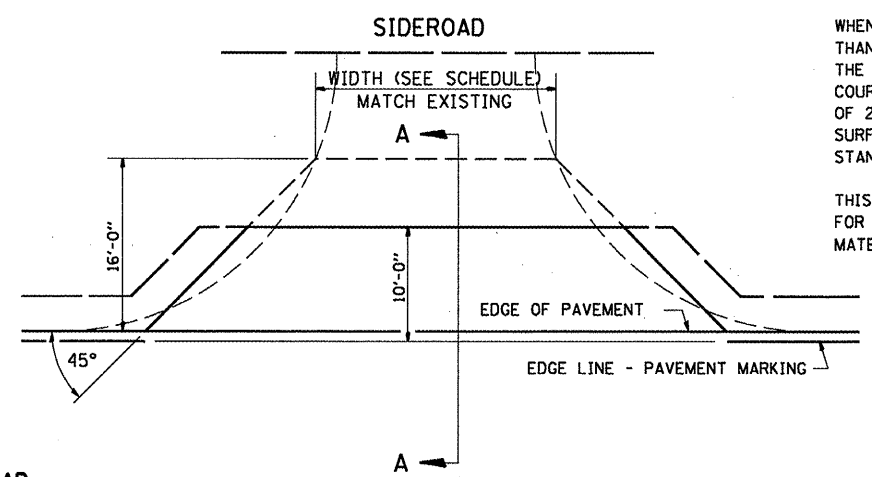
HMA CONCRETE REQUIRED TO CONSTRUCT THE ENTRANCES SHALL BE IN ACCORDANCE WITH THE APPLICABLE PORTIONS OF SECTION 406 AND 408 OF THE STANDARD SPECIFICATIONS AND AS DIRECTED BY THE ENGINEER.

WHEN THE HMA CONCRETE PROPOSED FOR THE IMPROVEMENT IS THICKER THAN 3 INCHES AND REQUIRE PLACEMENT IN MORE THAN ONE LIFT. THE BOTTOM LIFT(S) SHALL MEET THE REQUIREMENTS OF HMA BASE COURSE IN SECTION 406 OF THE STANDARD SPECIFICATIONS AND THE TOP LIFT OF 2 INCHES SHALL MEET THE REQUIREMENTS OF HMA CONCRETE SURFACE COURSE, MIXTURE C, CLASS I, TYPE 2 OF SECTION 406 OF THE STANDARD SPECIFICATIONS.

THIS WORK WILL BE PAID FOR AT THE CONTRACT UNIT PRICE PER TON FOR "INCIDENTAL HMA SURFACING" WHICH SHALL INCLUDE ALL MATERIALS, EQUIPMENT, AND LABOR INVOLVED.

ALL DIMENSIONS ARE IN INCHES UNLESS OTHERWISE SHOWN.

** AGGREGATE SURFACE COURSE TO BE USED FOR PE's & CE's SHALL BE INCLUDED IN THE COST FOR AGGREGATE SHOULDERS, TYPE B.



FILE NAME =	USER NAME = coxjm	DESIGNED - CAD	REVISED -	STATE OF ILLINOIS DEPARTMENT OF TRANSPORTATION	DETAILS FOR RURAL ENTRANCE, MAILBOX TURNOUT & SIDE ROAD	F.A.P. RTE.	SECTION	COUNTY	TOTAL SHEETS	SHEET NO.
ct:\pwwork\PHIDOT\COXJ\dm23631\shdeta11.dgn	DRAWN - CAD	REVISED -	566			(1-NRHM,2)RS-3	Scott	30	28	
PLOT SCALE = 1/8" = 1' / IN.	CHECKED - RSC	REVISED -	CONTRACT NO. 72882							
PLOT DATE = Aug-19-2009 07:57:13AM	DATE -	REVISED -	FED. ROAD DIST. NO. ILLINOIS FED. AID PROJECT							
					SCALE:	SHEET NO. 1 OF 3 SHEETS		STA. 202+84.33 TO STA. 448+98.00		