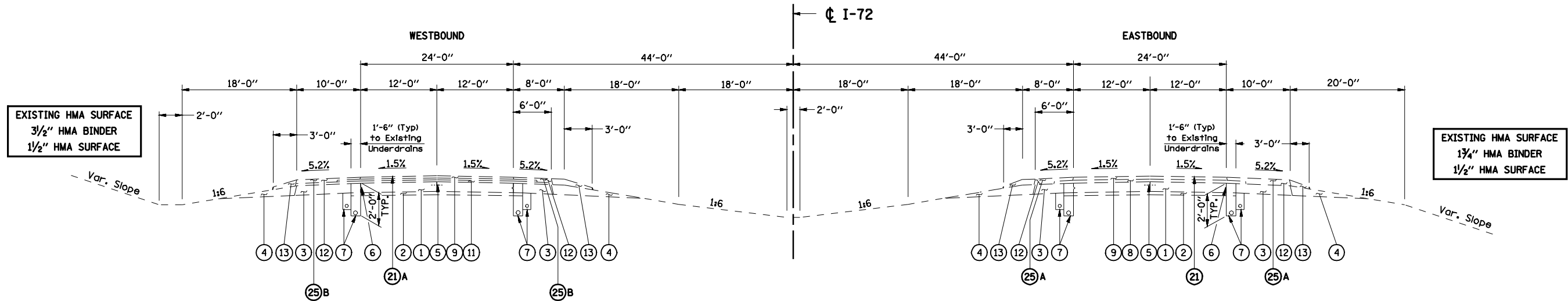


**TYPICAL SECTION**  
STA. 171+09.00 TO STA. 304+87.00



**TYPICAL SECTION**  
STA. 304+87.00 TO STA. 538+00.00

STRUCTURE OMISSION  
EASTBOUND STA. 405+68.05 TO STA. 407+52.99  
WESTBOUND STA. 405+27.29 TO STA. 407+12.23

**EXISTING LEGEND**

- ① EXIST. C.R.P.C.C. PAVEMENT 8"
- ② EXIST. STABILIZED SUB-BASE 4"
- ③ EXIST. STABILIZED SHOULDER 8"
- ④ EXIST. AGGREGATE SHOULDER, TY. A
- ⑤ EXIST. LONGITUDINAL JOINT
- ⑥ EXIST. KEYWAY
- ⑦ EXIST. PIPE UNDERDRAIN
- ⑧ EXIST. BITUMINOUS CONC. BINDER CSE., MIX. B, TY. 1, 1 3/4"
- ⑨ EXIST. BITUMINOUS CONC. SURF. CSE., MIX. D, CL. 1, TY. 1, 1 1/2"
- ⑩ EXIST. BITUMINOUS CONC. BINDER CSE., MIX. B, TY. 1, 3 1/2"
- ⑪ EXIST. BITUMINOUS SHOULDER ( WITH RUMBLE STRIPS )
- ⑫ EXIST. AGGREGATE SHOULDER, TY. B
- ⑬ EXIST. S.R.P.C.C. PAVEMENT 8"
- ⑭ EXIST. COMB. CONC. CURB & GUTTER, TY. B-6.12
- ⑮ EXIST. MEDIAN SURFACE
- ⑯ EXIST. SUB-BASE GRANULAR MATERIAL, TY. C 4"
- ⑰ EXIST. BITUMINOUS MIXTURE COMPLETE 3"
- ⑱ EXIST. AGGREGATE BASE COURSE, TY. A 8"
- ⑳ EXIST. BITUMINOUS CONCRETE WIDENING 9"

**PROPOSED LEGEND**

- ⑳ PROP. HOT-MIX ASPHALT SURFACE REMOVAL, 3 1/4"
- ㉑ PROP. HOT-MIX ASPHALT SURFACE REMOVAL, 5"
- ㉒ PROP. POLYMERIZED HOT-MIX ASPHALT BINDER COURSE, IL-19.0, N90 2 1/4"
- ㉒A PROP. POLYMERIZED HOT-MIX ASPHALT BINDER COURSE, IL-19.0, N90 2 @ 2 1/4", 4 1/2"
- ㉓ PROP. AGGREGATE WEDGE SHOULDER, TYPE B
- ㉔ PROP. POLYMERIZED HOT-MIX ASPHALT SURFACE COURSE, MIX "D", N90 1 1/2"
- ㉕ PROP. HOT-MIX ASPHALT SHOULDERS, 2" / 2 3/4" (SEE SCHEDULE)
- ㉕A PROP. HOT-MIX ASPHALT SURFACE REMOVAL, 1 1/2"
- ㉕B PROP. HOT-MIX-ASPHALT SURFACE REMOVAL, 1"
- ㉖ PROP. AGGREGATE SHOULDER, TY. B
- ㉗ PROP. RAISED REFLECTIVE PAVEMENT MARKER
- ㉘ PROP. SHOULDER RUMBLE STRIP
- ㉙ PROP. HOT-MIX ASPHALT SURFACE REMOVAL - BUTT JOINT