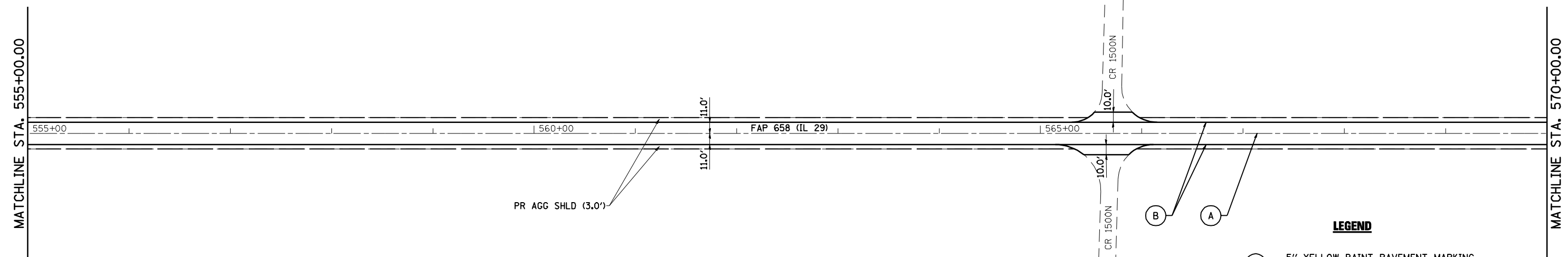
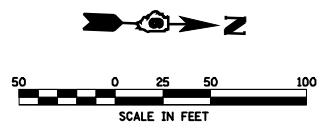


- LEGEND**
- (A) 5" YELLOW PAINT PAVEMENT MARKING  
SEE SCHEDULE FOR PASSING ZONES
  - (B) LINE 5" SOLID WHITE  
PAINT PAVEMENT MARKING



- LEGEND**
- (A) 5" YELLOW PAINT PAVEMENT MARKING  
SEE SCHEDULE FOR PASSING ZONES
  - (B) LINE 5" SOLID WHITE  
PAINT PAVEMENT MARKING

FILE NAME =	USER NAME = laughlinr1	DESIGNED -	REVISED -
e:\pwwork\pwidot\LAUGHLINRL\dms26774\672445-SHT-plan1.dgn		DRAWN -	REVISED -
	PLOT SCALE = 100.0000' / IN.	CHECKED -	REVISED -
	PLOT DATE = Feb-03-2010 08:54:34AM	DATE -	REVISED -

**STATE OF ILLINOIS  
DEPARTMENT OF TRANSPORTATION**

<b>FAP 658 (IL 29) PLAN SHEET</b>				
SCALE:	SHEET NO.	OF SHEETS	STA.	TO STA.

F.A.P. RTE.	SECTION	COUNTY	TOTAL SHEETS	SHEET NO.
658	HRS-1, GRS-5	MASON	15	9
CONTRACT NO.				72A45
ILLINOIS FED. AID PROJECT				