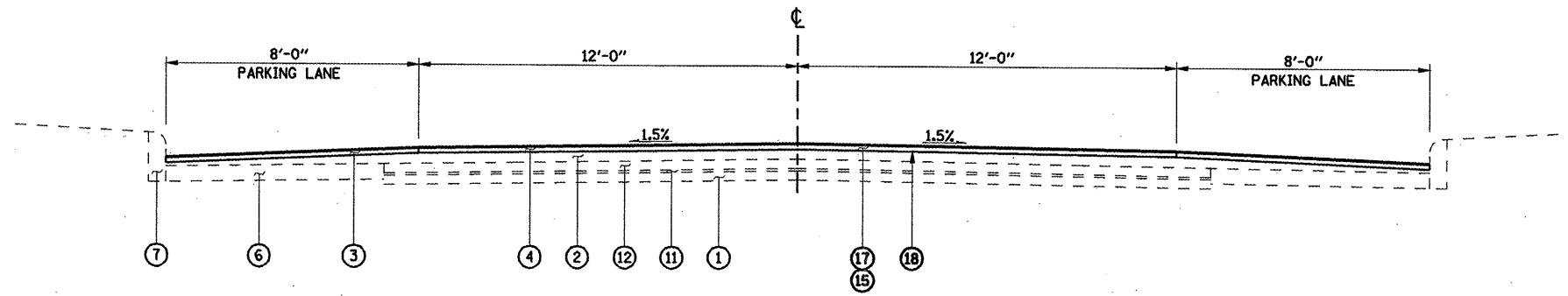


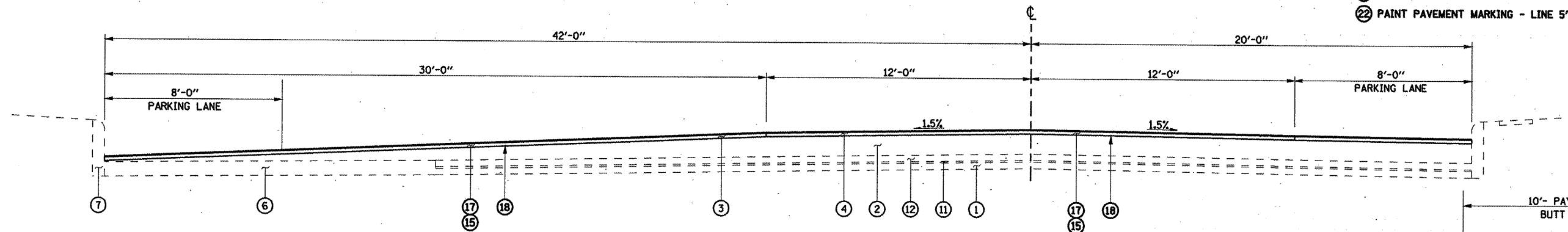
LEGEND

- ① EX P.C.C. PAVEMENT (9"-6"-9")
- ② EX BITUMINOUS CONCRETE SURFACE
- ③ EX 1/2" BITUMINOUS CONCRETE SURFACE COURSE, MIXTURE C, CLASS I, TYPE 2
- ④ EX 1/2" BITUMINOUS CONCRETE SURFACE COURSE, MIXTURE D, CLASS I, TYPE 2
- ⑤ EX BITUMINOUS BASE COURSE, 3/2"±
- ⑥ EX PCC BASE COURSE WIDENING
- ⑦ EX PCC CURB
- ⑧ EX PCC GUTTER
- ⑨ EX PCC CURB & GUTTER
- ⑩ EX PCC BASE
- ⑪ EX SAND CUSHION
- ⑫ EX BRICK PAVEMENT
- ⑬ EX GRANULAR EMBANKMENT
- ⑭ EXCAVATING AND GRADING EXISTING SHOULDER
- ⑮ LEVELING BINDER (MACHINE METHOD), N50 (3/4")
- ⑯ HOT-MIX ASPHALT SURFACE REMOVAL - BUTT JOINT
- ⑰ HOT-MIX ASPHALT SURFACE COURSE, MIX "C", N50 (1 1/2")
- ⑱ HOT-MIX ASPHALT SURFACE REMOVAL, 2/4"
- ⑲ HOT-MIX ASPHALT SURFACE REMOVAL, VARIABLE DEPTH
- ⑳ AGGREGATE SHOULDERS, TYPE B
- ㉑ HOT-MIX ASPHALT SHOULDERS, 6"
- ㉒ PAINT PAVEMENT MARKING - LINE 5"



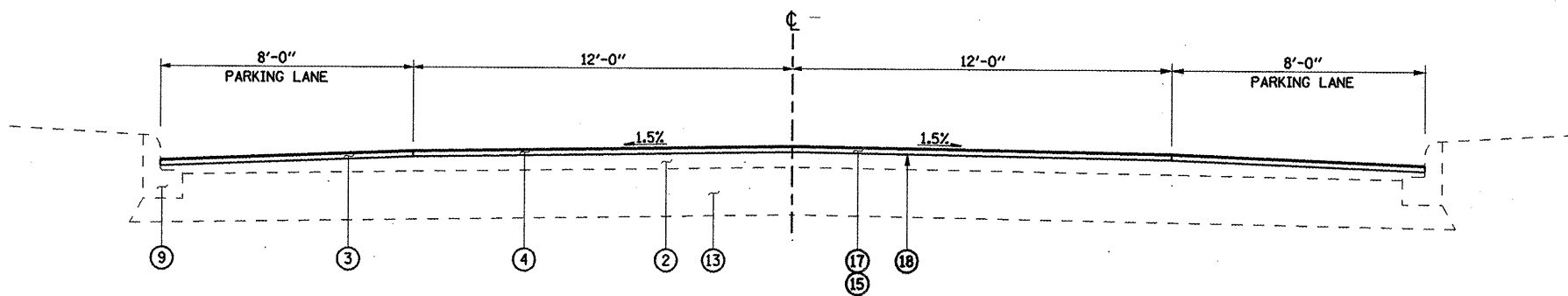
TYPICAL SECTION

STA 276+00 TO STA 282+46



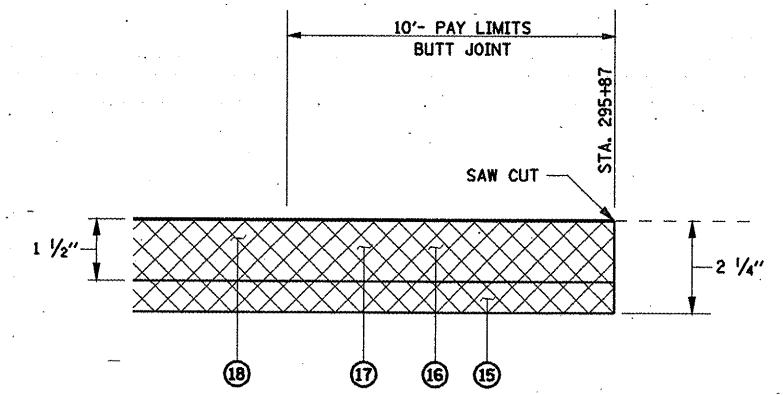
TYPICAL SECTION

STA 282+46 TO STA 286+42



TYPICAL SECTION

STA 286+42 TO STA 295+87



URBAN BUTT - JOINT DETAIL

Rev. 4-1-10

FILE NAME =	USER NAME = laughtinr1	DESIGNED -	REVISED -
ca:\pwwork\pwwid01\LAUGHLINRL\dms38897\672825-shr-typical.dgn		DRAWN -	REVISED -
PLOT SCALE = 28.0000' / IN.	CHECKED - JAC	REVISIONS -	
PLOT DATE = Mar-17-2010 03:58:16PM	DATE - 6/11/2007		

**STATE OF ILLINOIS
DEPARTMENT OF TRANSPORTATION**

ILLINOIS ROUTE 78 TYPICAL SECTIONS	
SCALE:	SHEET NO. OF SHEETS STA. TO STA.

F.A.P. RTE.	SECTION	COUNTY	TOTAL SHEETS	SHEET NO.
614	8CS(RS-3); 146(RS-3)	CASS	14	11
CONTRACT NO. 72B25				
FED. ROAD DIST. NO. ILLINOIS FED. AID PROJECT				