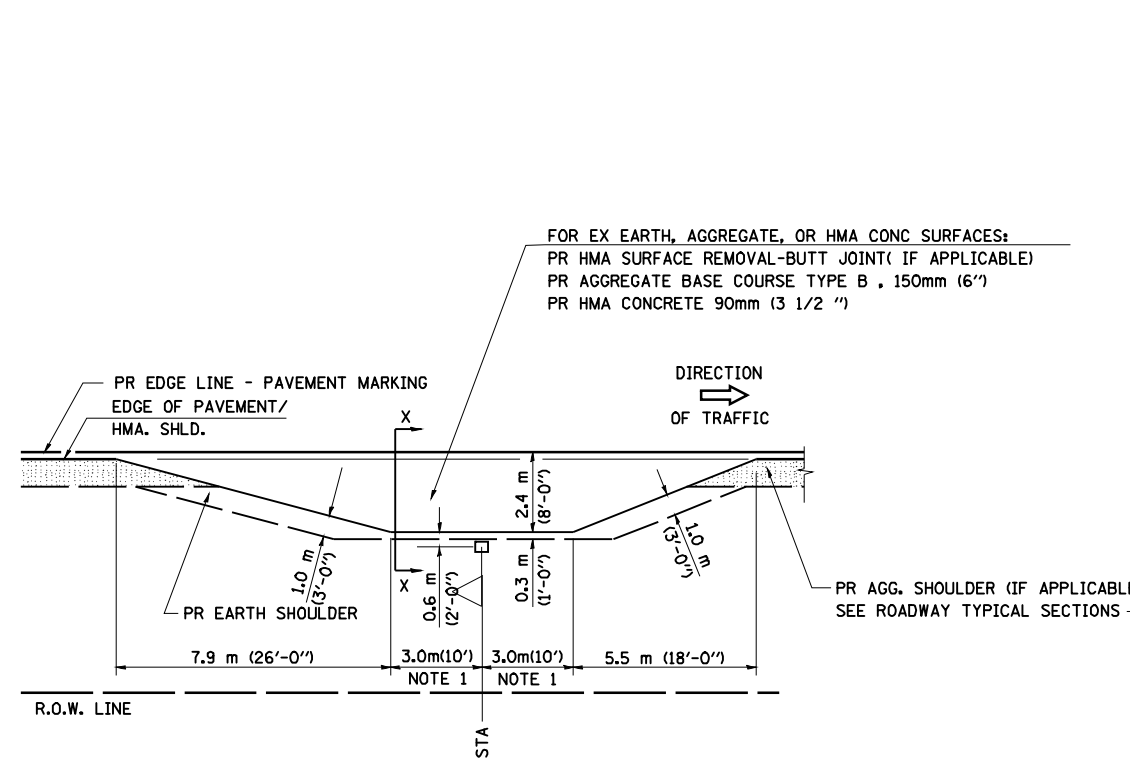
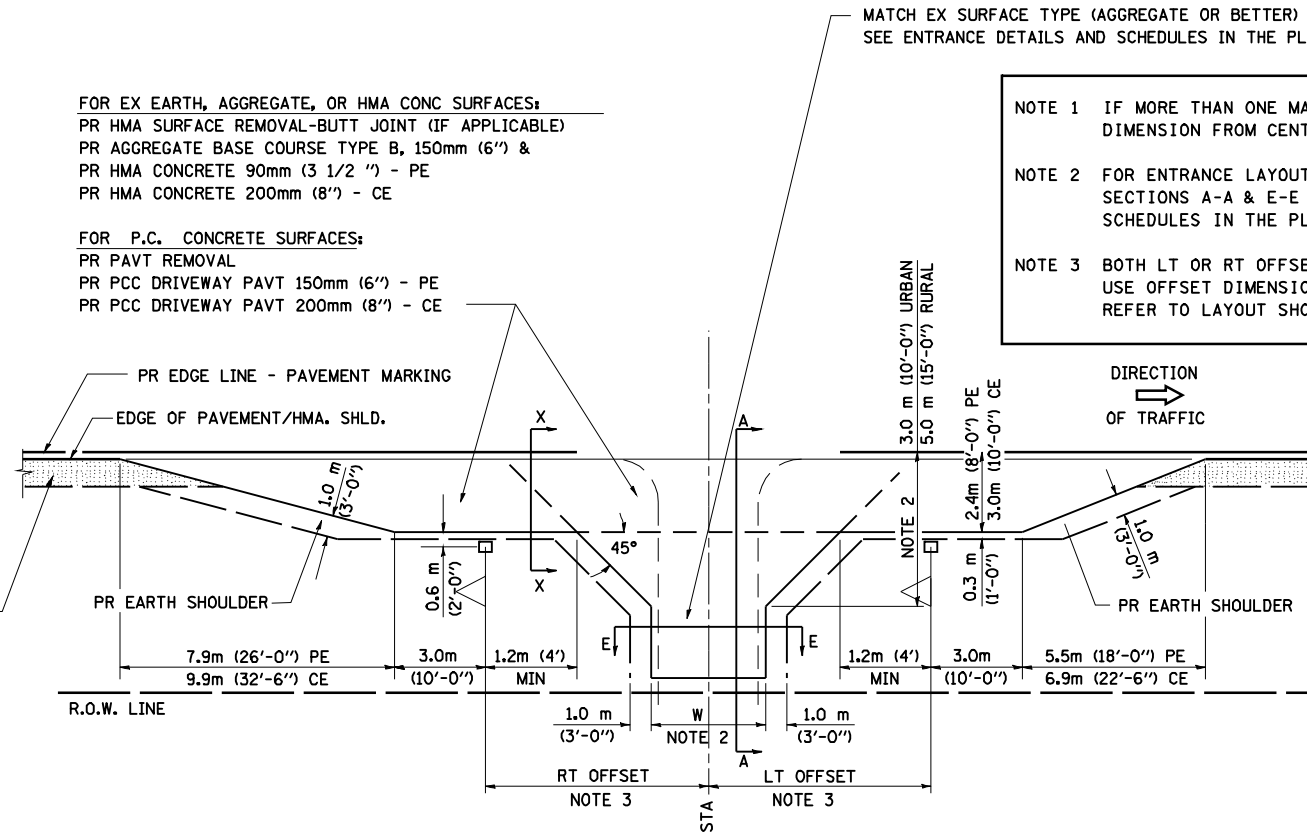


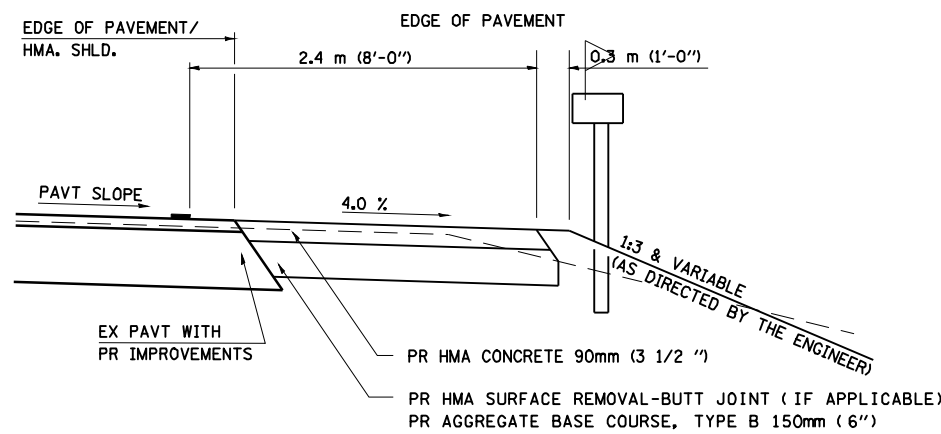
DETAILS OF MAILBOX TURNOUTS



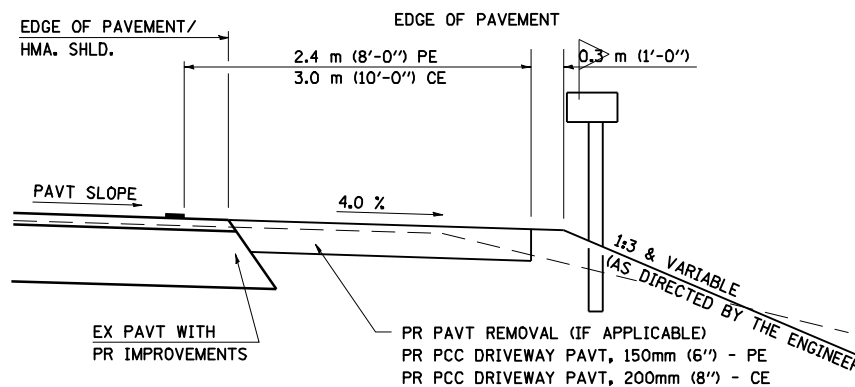
PLAN - MAILBOX TURNOUTS



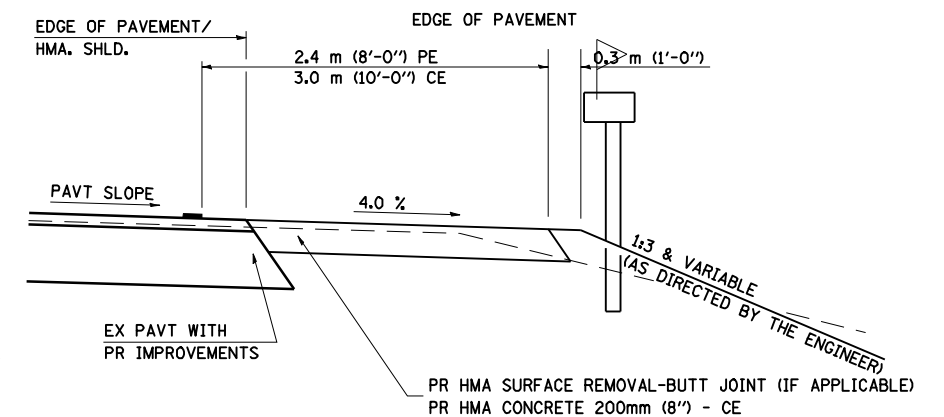
PLAN - COMBINED MAILBOX TURNOUT WITH TRAILING OR LEADING ENTRANCE



**SECTION X-X THRU MAILBOX TURNOUT
 ALSO APPLIES TO MAILBOX TURNOUTS COMBINED WITH
 EX EARTH, AGGREGATE, OR HMA PE & FE**



**SECTION X-X THRU MAILBOX TURNOUT
 COMBINED WITH EX CONC PE OR CE**



**SECTION X-X THRU MAILBOX TURNOUT
 COMBINED WITH EX EARTH, AGGREGATE, OR HMA CE**

FILE NAME =	USER NAME = laughlinr1	DESIGNED -	REVISED - 2/19/03 (JCN)
e:\pwork\pwork\LAUGHLINRL\dma20672\672852-SHT-DETAILS.dgn	672852-SHT-DETAILS.dgn	DRAWN - CADD	REVISED - 4/01/04 (JCN)
PLOT SCALE = 48.0000 ' / IN.	CHECKED - JCN	REVISED - 8/01/07 (JCN)	
PLOT DATE = Feb-09-2010 10:10:19AM	DATE - FEBRUARY 23, 1999	REVISED -	

**STATE OF ILLINOIS
 DEPARTMENT OF TRANSPORTATION**

**DISTRICT 6 DETAILS FOR RURAL / URBAN ENTRANCE &
 MAILBOX TURNOUT W/O CONC GUTTER (3R - PROJECTS)**

SCALE: SHEET NO. 2 OF 3 SHEETS STA. TO STA.

F.A.S. RTE.	SECTION	COUNTY	TOTAL SHEETS	SHEET NO.
1585	3T	MASON	20	10
CONTRACT NO. 72B52				
FED. ROAD DIST. NO. ILLINOIS FED. AID PROJECT				