

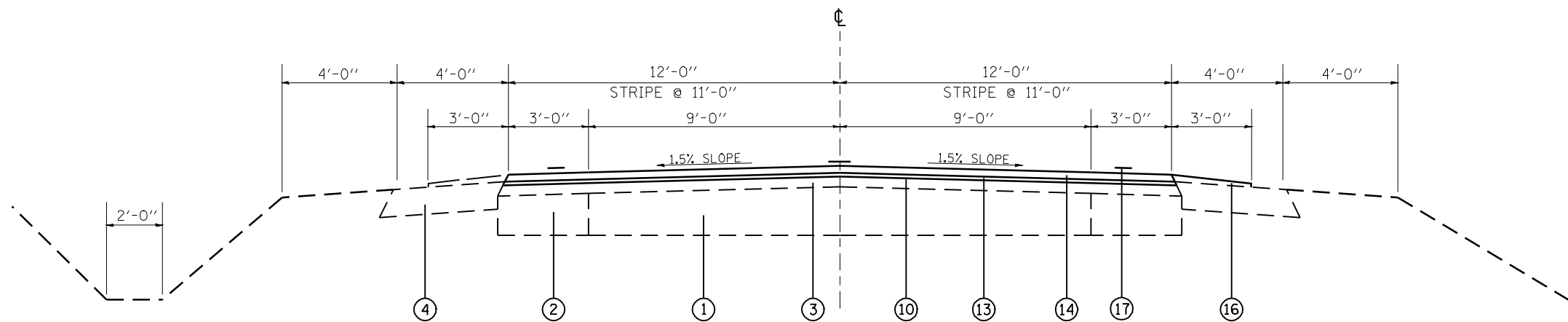
LT 603+00 - 609+40  
 RT 602+39 - 609+88

EXISTING

- 1 P.C.C. PAVEMENT
- 2 BITUMINOUS BASE COURSE WIDENING, 9"
- 3 BITUMINOUS SURFACE COURSE, 3"
- 4 AGGREGATE SHOULDER TYPE B
- 5 AGGREGATE BASE COURSE TYPE B
- 6 CONCRETE GUTTER TYPE B
- 7 BITUMINOUS SHOULDER, 1½"
- 8 BITUMINOUS SHOULDER, 6"
- 9 WEARING SURFACE, 4"

PROPOSED

- 10 HMA SURFACE REMOVAL (VARIABLE DEPTH)
- 11 HMA SURFACE REMOVAL, 1½"
- 12 HMA SURFACE REMOVAL, 2¼"
- 13 LEVELING BINDER (MACHINE METHOD), ¾"
- 14 HMA SURFACE COURSE, 1½"
- 15 HMA SHOULDER, 2¼" & VAR. DEPTH
- 16 AGGREGATE WEDGE SHOULDER TYPE B
- 17 PAINT PAVEMENT MARKING, LINE 5"



LT & RT 588+50 - 597+69  
 LT 600+17 - 603+00  
 RT 600+17 - 602+39  
 LT 609+40 - 614+93  
 RT 609+88 - 614+93  
 LT & RT 614+93 - 620+00

FILE NAME =	USER NAME = laughlinr1	DESIGNED -	REVISED -	<b>STATE OF ILLINOIS DEPARTMENT OF TRANSPORTATION</b>	<b>TYPICAL SECTIONS</b>			F.A.P. RTE.	SECTION	COUNTY	TOTAL SHEETS	SHEET NO.	
er:\pwork\PWIDOT\LAUGHLINRL\dms27159\c672c28-sh-t-typico1.dgn		DRAWN -	REVISED -		SCALE:	SHEET NO. 3 OF 3 SHEETS	STA.	TO STA.	514	107RS-5	HANCOCK	30	10
	PLOT SCALE = 100.0000' / IN.	CHECKED -	REVISED -		CONTRACT NO. 72C28								
	PLOT DATE = Feb-08-2010 11:41:34AM	DATE -	REVISED -		FED. ROAD DIST. NO. 6 ILLINOIS FED. AID PROJECT								