

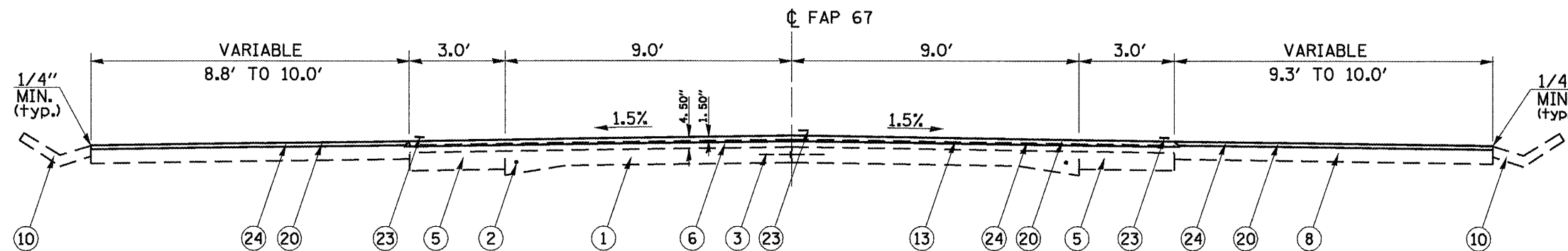
\* - EXISTING SHOULDER WIDTHS:  
 4'-0" WIDTH AT:  
 213+84.91 TO 222+52.93  
 10'-0" WIDTH AT:  
 222+52.93 TO 224+39.51

**TYPICAL CROSS SECTION #9**  
**213+84.91 TO 224+39.51**

PROPOSED HOT-MIX ASPHALT SURFACE REMOVAL DEPTH  
 TRANSITION FROM VARIABLE DEPTH (1/2" @  $\phi$ ) TO 1-1/2":  
 223+50.00 TO 223+90.00

**LEGEND**

- ① EXIST. P.C.C. PAVEMENT (9'-6"-9')
- ② EXIST. 3/4" DIA. BAR
- ③ EXIST. 1/2" DIA. BAR
- ④ EXIST. P.C.C. WIDENING 8"
- ⑤ EXIST. BITUMINOUS WIDENING OR BASE COURSE 9"
- ⑥ EXIST. BITUMINOUS SURFACE  
(SEE TYPICAL SECTIONS FOR THICKNESS)
- ⑦ EXIST. BITUMINOUS SHOULDERS, 6"
- ⑧ EXIST. BITUMINOUS SHOULDERS, 8"
- ⑨ EXIST. AGGREGATE SHOULDERS
- ⑩ EXIST. CONCRETE GUTTER
- ⑪ EXIST. LEVELING BINDER (MACHINE METHOD)  
MIX. C, TYPE 2, 3/4"
- ⑫ EXIST. LEVELING BINDER (MACHINE METHOD)  
MIX. B, TYPE 2, 1-3/4"
- ⑬ EXIST. BITUMINOUS CONCRETE SURFACE COURSE,  
MIX. D, CLASS 1, TYPE 2, 1-1/2"
- ⑭ EXIST. SUB-BASE GRANULAR MATERIAL, TY A, 4"
- ⑮ EXIST. STABILIZED BASE COURSE, 8"
- ⑯ EXIST. BITUMINOUS CONCRETE SURFACE, 3"
- ⑰ EXIST. LEVELING BINDER (MACHINE METHOD)  
TY 2 - VARIABLE DEPTH
- ⑱ EXIST. LEVELING BINDER (MACHINE METHOD)  
TY 2 - 1"
- ⑲ PROP. HOT-MIX ASPHALT SURFACE REMOVAL  
(1/2" @  $\phi$  & VARIABLE DEPTH)
- ⑳ PROP. HOT-MIX ASPHALT SURFACE COURSE,  
MIX D, N70, 1-1/2"
- ㉑ NOT USED
- ㉒ PROP. AGGREGATE SHOULDERS, TYPE-B
- ㉓ PROP. PAINT PAVEMENT MARKINGS - LINE 5"
- ㉔ PROP. HOT-MIX ASPHALT SURFACE REMOVAL, 1-1/2"
- ㉕ PROP. HOT-MIX ASPHALT SHOULDER REMOVAL AND  
REPLACEMENT,  $\pm$  10"



EXISTING CONCRETE V-GUTTER LOCATION:  
 224+78.78 LT TO 273+01.45 LT

**TYPICAL CROSS SECTION #10**  
**224+39.51 TO 261+27.81**

EXISTING CONCRETE V-GUTTER LOCATION:  
 224+55.40 RT TO 264+49.69 RT

FILE NAME =	USER NAME = coxte	DESIGNED -	REVISED -	<b>STATE OF ILLINOIS DEPARTMENT OF TRANSPORTATION</b>	<b>TYPICAL CROSS SECTIONS</b>			F.A.P. RTE.	SECTION	COUNTY	TOTAL SHEETS	SHEET NO.	
al\pwwork\PWIDDT\COXTE\dms84394\067209-sh-typical.dgn	PLOT SCALE = 1/8" = 100.0000' / IN.	DRAWN -	REVISED -		SCALE:	SHEET NO. 5 OF 7 SHEETS	STA.	TO STA.	67	105(IRS-6) 106(IRS-4)	CASS, SANG.	88	11
PLOT DATE = Dec-18-2009 04:47:57PM	DATE -	CHECKED -	REVISED -					CONTRACT NO. 72C49					
								FED. ROAD DIST. NO.		ILLINOIS FED. AID PROJECT			