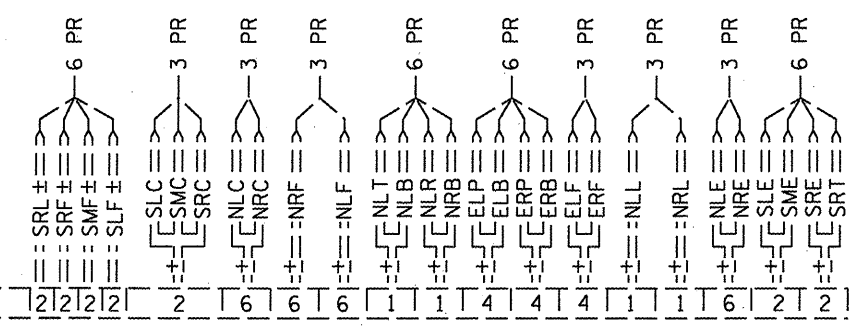
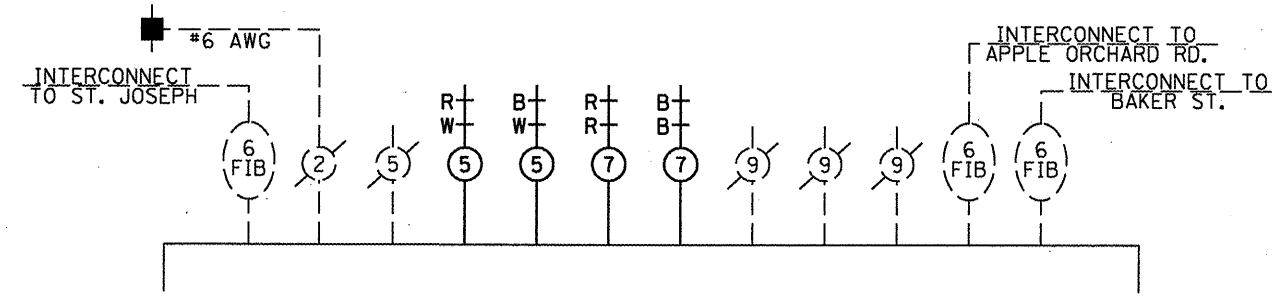


PHASE DESIGNATION DIAGRAM



EXISTING DETECTORS



EXISTING CONTROLLER

NOT TO SCALE

FILE NAME =	USER NAME = cabrerars	DESIGNED -	REVISED -	STATE OF ILLINOIS DEPARTMENT OF TRANSPORTATION	PROPOSED CABLE PLAN SIXTH ST. & STEVENSON DR.		F.A.P. RTE. =	SECTION	COUNTY	TOTAL SHEETS	SHEET NO.
ct:\pw_work\PI\DOT\CABRERARS\d0183102\0183102.dgn	616410_sht.ts08.dgn	DRAWN -	REVISED -		666	110TS-4 & 15TS-5	SANGAMON	20	15		
PLOT SCALE = 48,0000' / IN.		CHECKED -	REVISED -		SCALE: 20 SHEET NO. OF SHEETS STA. TO STA.		CONTRACT NO. 72D36				
PLOT DATE = Feb-02-2010 04:13:26PM		DATE -	REVISED -		ILLINOIS FED. AID PROJECT						