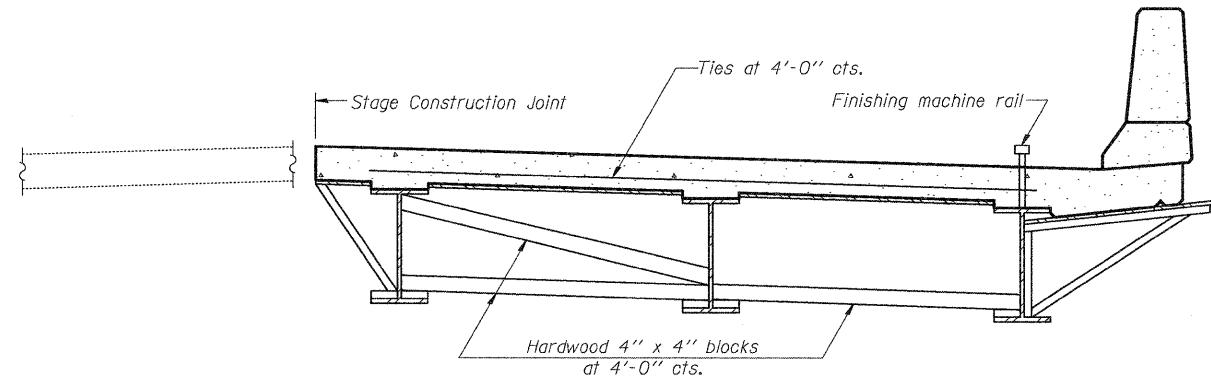
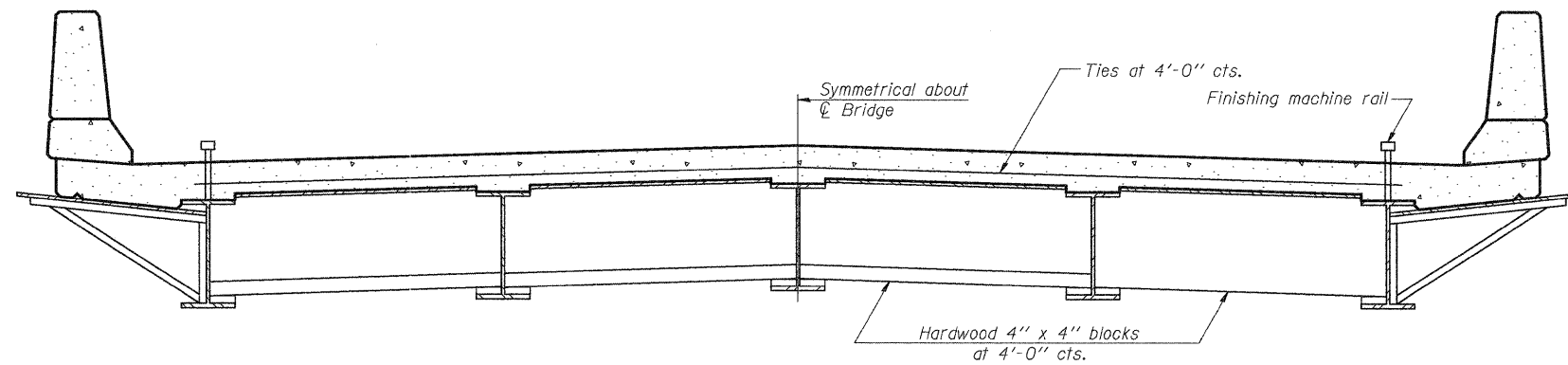


STATE OF ILLINOIS  
DEPARTMENT OF TRANSPORTATION



**FORM BRACES FOR STAGE CONSTRUCTION**

When cantilever forming brackets are used, the work shall be done according to Article 503.06(b) of the Standard Specifications, except as modified below and in the details shown on this sheet.  
The finishing machine rails shall be placed on the top flange of the exterior beams.  
The beams or girders, supporting cantilever forming brackets, shall be tied together at 4 foot intervals.  
For Standard construction, or Stage Construction the Hardwood bracing materials shall be placed as shown between webs of beams in each bay.



**FORM BRACES FOR STANDARD CONSTRUCTION**

**CANTILEVER FORMING BRACKETS  
KINMUNDY/LOUISVILLE ROAD  
OVER ILLINOIS CENTRAL RR  
STA. 475+50.44**

DESIGNED	
CHECKED	
DRAWN	J.G.
CHECKED	C.J.F. & B.B.

SB-1 5-16-08



**BERNARDIN  
LOCHMUELLER &  
ASSOCIATES, INC.**

3 Oak Drive  
Maryville, IL 62062-5635  
Local (618) 288-4665  
Fax 618-288-4666

SHEET NO. 17 22 SHEETS	F.A.S. RTE.	SECTION	COUNTY	TOTAL SHEETS	SHEET NO.
	2703	(9-VBR)B	CLAY	65	39
SN 013-0044			CONTRACT NO. 74136		
FED. ROAD DIST. NO. 7 ILLINOIS FED. AID PROJECT					