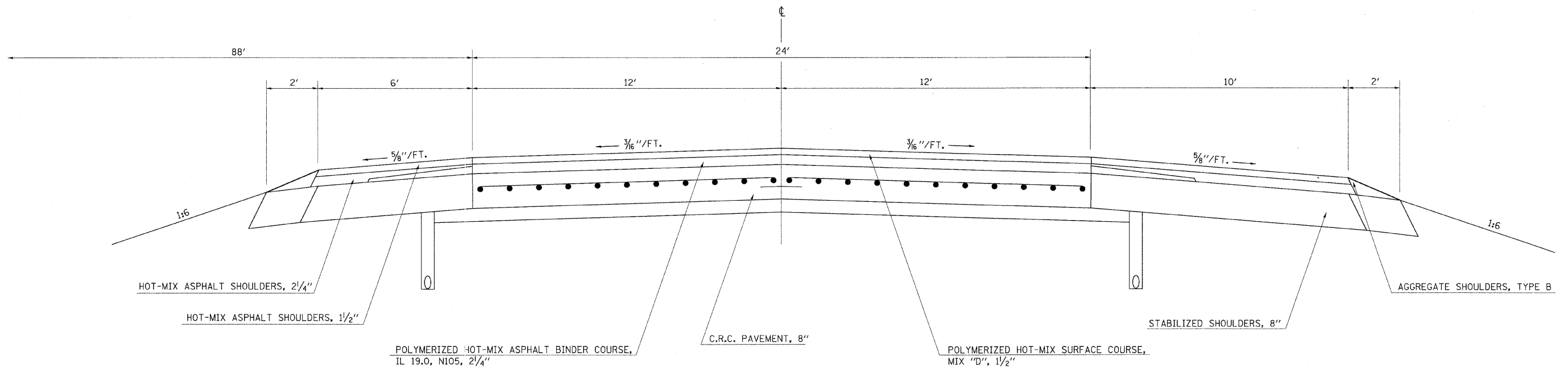


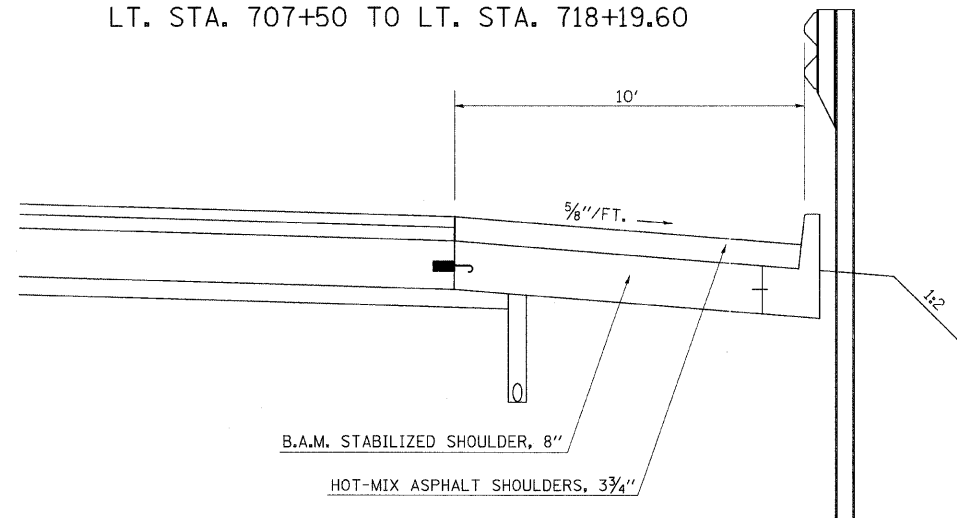
EXISTING TYPICAL CROSS SECTION

STA. 700+98 TO STA. 910+00



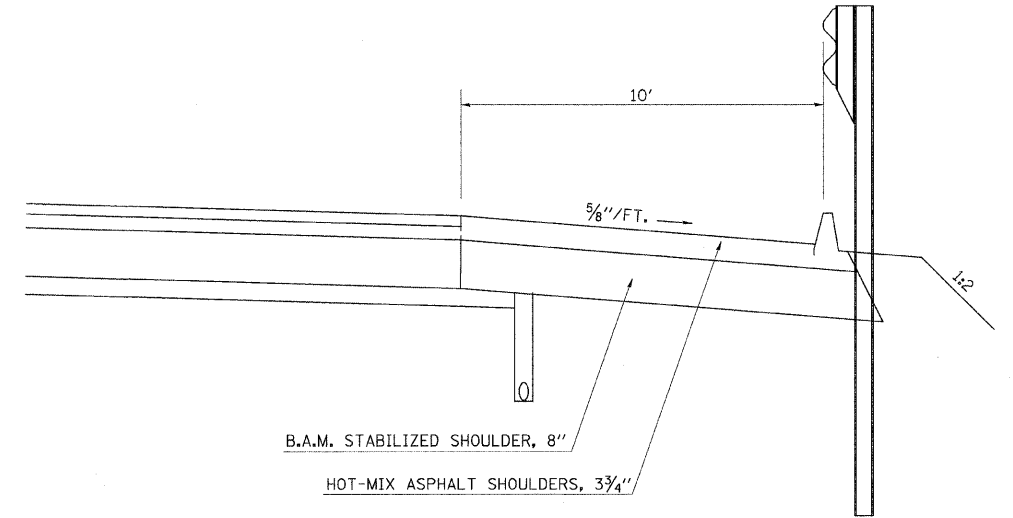
SHOULDER DETAIL

RT. STA. 715+00 TO RT. STA. 718+82.60
 LT. STA. 707+50 TO LT. STA. 718+19.60



SHOULDER DETAIL

RT. STA. 711+00 TO RT. STA. 715+00



FILE NAME =	USER NAME = swartzrw	DESIGNED -	REVISED -
c:\pwwork\pwwid\SWARTZRW\dms37771\sh	typicels_74343.dgn	DRAWN -	REVISED -
	PLOT SCALE = 20.0000' / IN.	CHECKED -	REVISED -
	PLOT DATE = 9/28/2009	DATE -	REVISED -

**STATE OF ILLINOIS
 DEPARTMENT OF TRANSPORTATION**

TYPICAL CROSS SECTIONS

SCALE: NA SHEET NO. 1 OF 1 SHEETS STA. TO STA.

F.A.I. RTE.	SECTION	COUNTY	TOTAL SHEETS	SHEET NO.
72	66(B,HVB,HB-1)BR	MACON	83	6
FED. ROAD DIST. NO. [ILLINOIS] FED. AID PROJECT			CONTRACT NO. 74343	