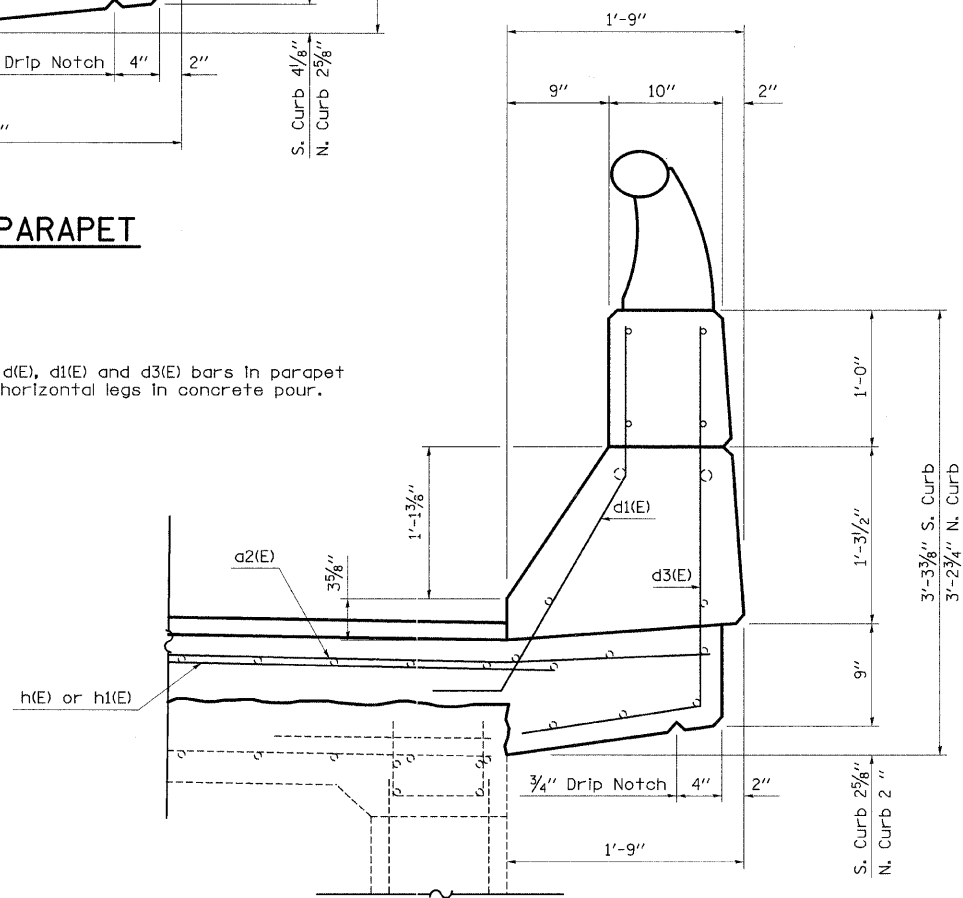
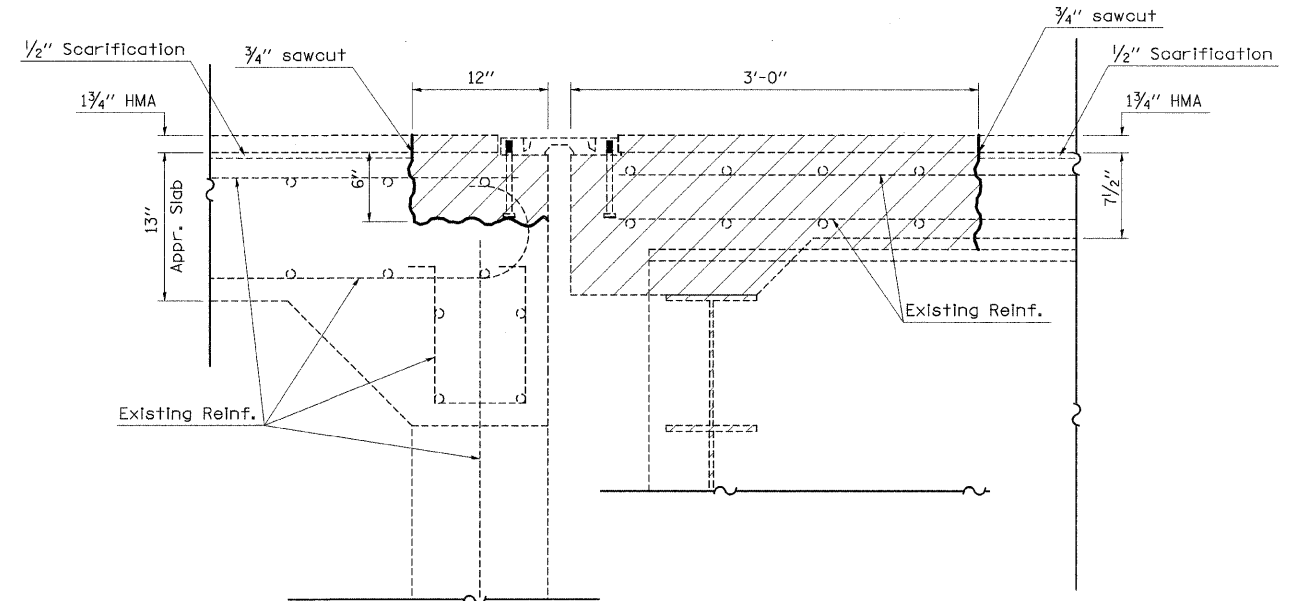


SECTION THRU DECK PARAPET

Note: Rotate d(E), d1(E) and d3(E) bars in parapet to fit horizontal legs in concrete pour.

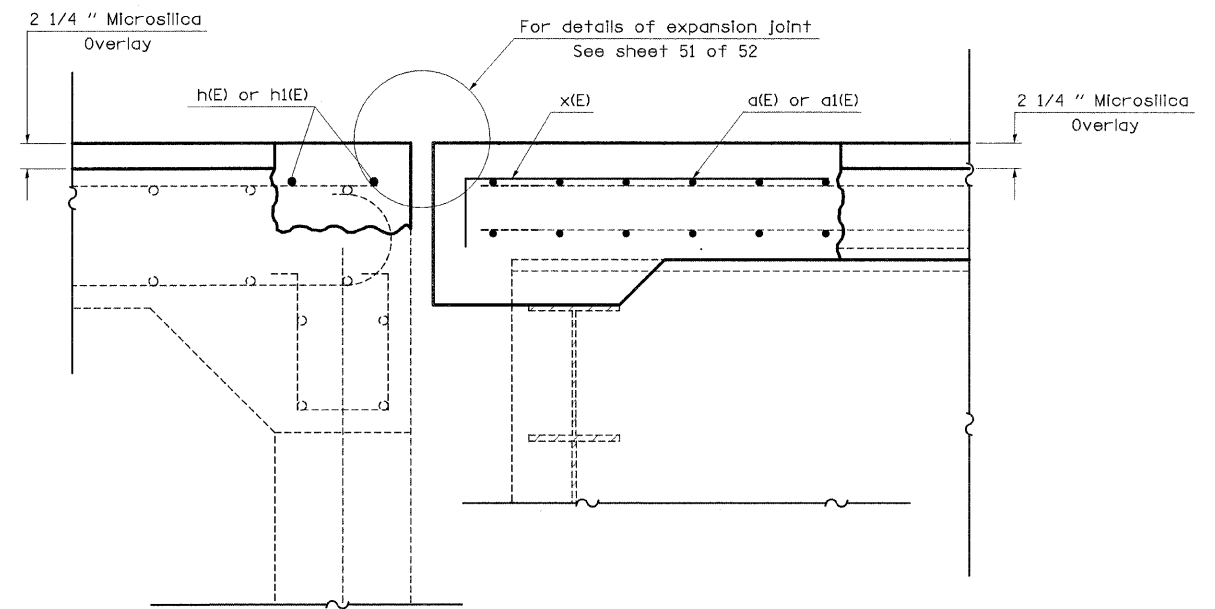


SECTION THRU APPROACH PARAPET



SECTION A-A
(Dimensions at RT L's to end of deck)

- Existing Reinforcement
- Proposed Reinforcement



SECTION B-B
(Dimensions at RT L's to end of deck)

FILE NAME =	USER NAME = swartzrw	DESIGNED -	REVISED -	STATE OF ILLINOIS DEPARTMENT OF TRANSPORTATION	EXPANSION JOINT REPLACEMENT DETAILS SN. 058-0093 (EB) & SN 058-0094 (WB)	F.A.I. RTE.	SECTION	COUNTY	TOTAL SHEETS	SHEET NO.
c:\pwwork\pwwid\swartzrw\dms37779\dms37779.dgn	enbridge.dgn	DRAWN -	REVISED -			72	66(B,HVB,HB-1)BR	MACON	83	32
PLOT SCALE = 20.0000' / IN.		CHECKED -	REVISED -			CONTRACT NO. 74343				
PLOT DATE = 9/28/2009		DATE -	REVISED -			SCALE: N/A	SHEET NO. 5 OF 17 SHEETS	STA.	TO STA.	FED. ROAD DIST. NO.