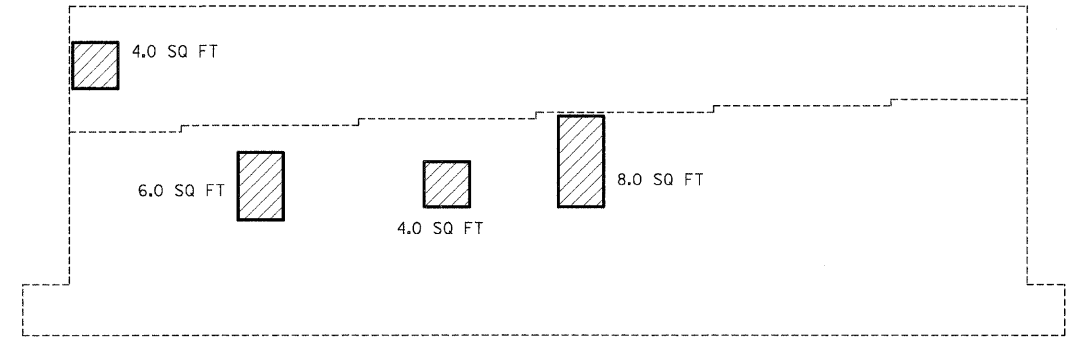
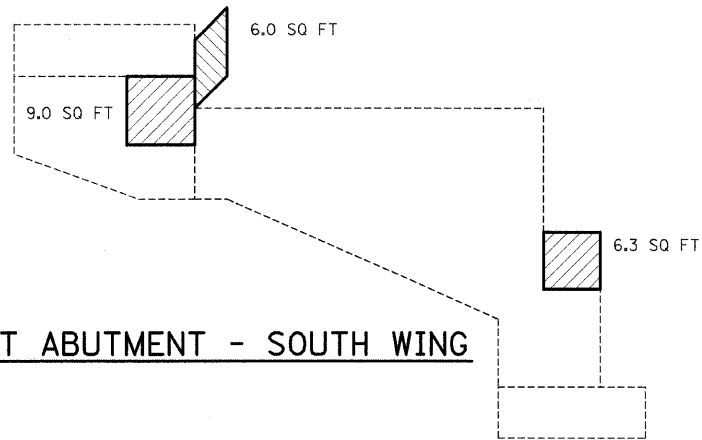


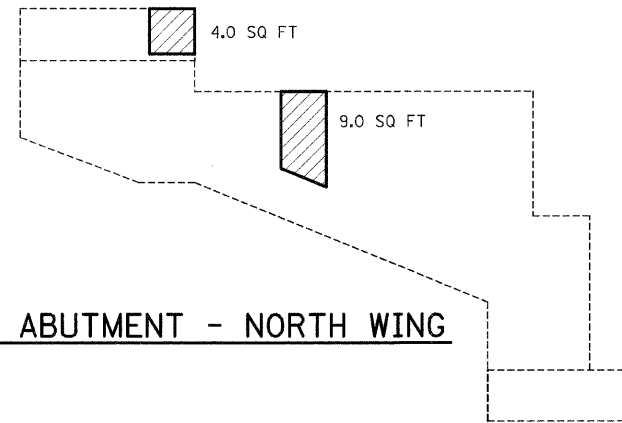
WEST ABUTMENT



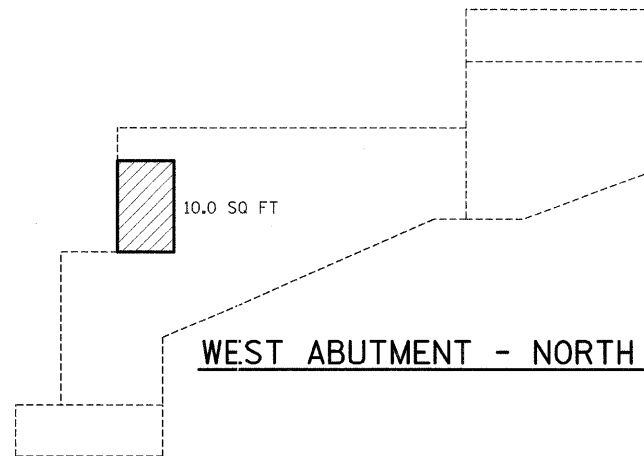
EAST ABUTMENT



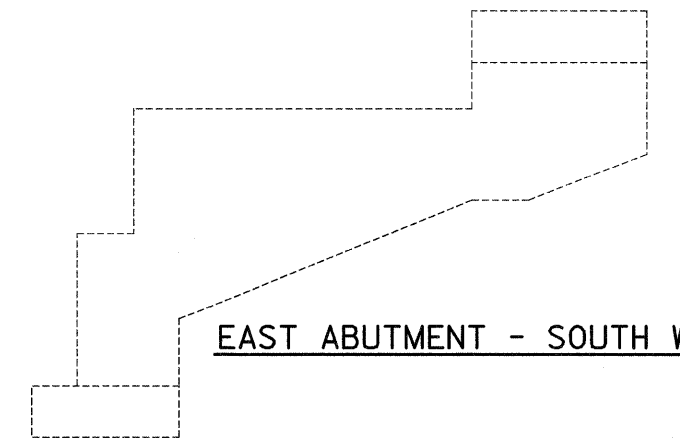
WEST ABUTMENT - SOUTH WING



EAST ABUTMENT - NORTH WING

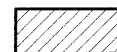


WEST ABUTMENT - NORTH WING



EAST ABUTMENT - SOUTH WING

NOTE: QUANTITIES ARE ESTIMATED. ACTUAL QUANTITIES TO BE DETERMINED BY THE RESIDENT ENGINEER.

 Structural Repair of Concrete (Depth < 5")

FILE NAME =	USER NAME = swartzw	DESIGNED -	REVISED -
c:\pwwork\pwwid01\SWARTZRW\dms37779\k	enbridge.dgn	DRAWN -	REVISED -
	PLOT SCALE = 20.0000' / IN.	CHECKED -	REVISED -
	PLOT DATE = 9/28/2009	DATE -	REVISED -

**STATE OF ILLINOIS
DEPARTMENT OF TRANSPORTATION**

**STRUCTURAL REPAIR - SUBSTRUCTURE
SN 058-0093 (EB)**

SCALE: N/A SHEET NO. 10 OF 17 SHEETS STA. TO STA.

F.A.I. RTE.	SECTION	COUNTY	TOTAL SHEETS	SHEET NO.
72	66(B,HVB,HB-1)BR	MACON	83	37
FED. ROAD DIST. NO. ILLINOIS FED. AID PROJECT			CONTRACT NO. 74343	