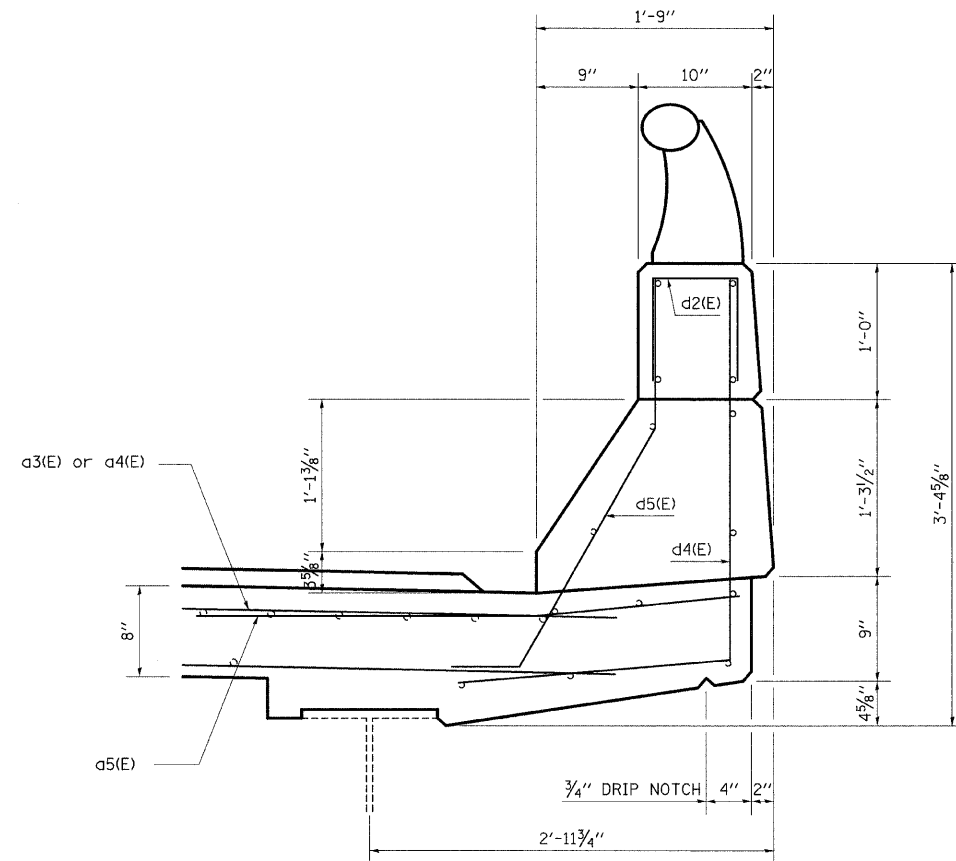
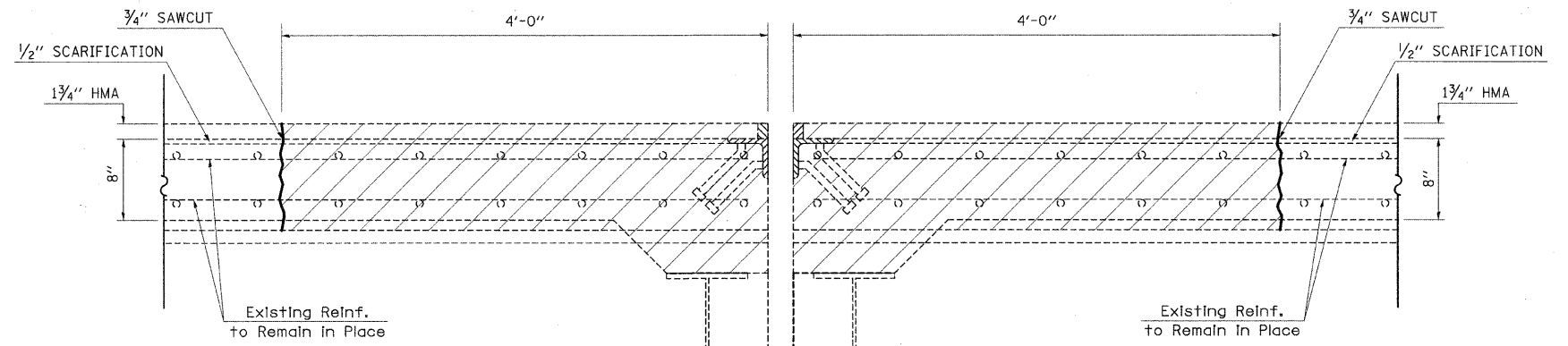


Note: Rotate d4(E) and d5(E) bars in parapet to fit horizontal legs in concrete pour.



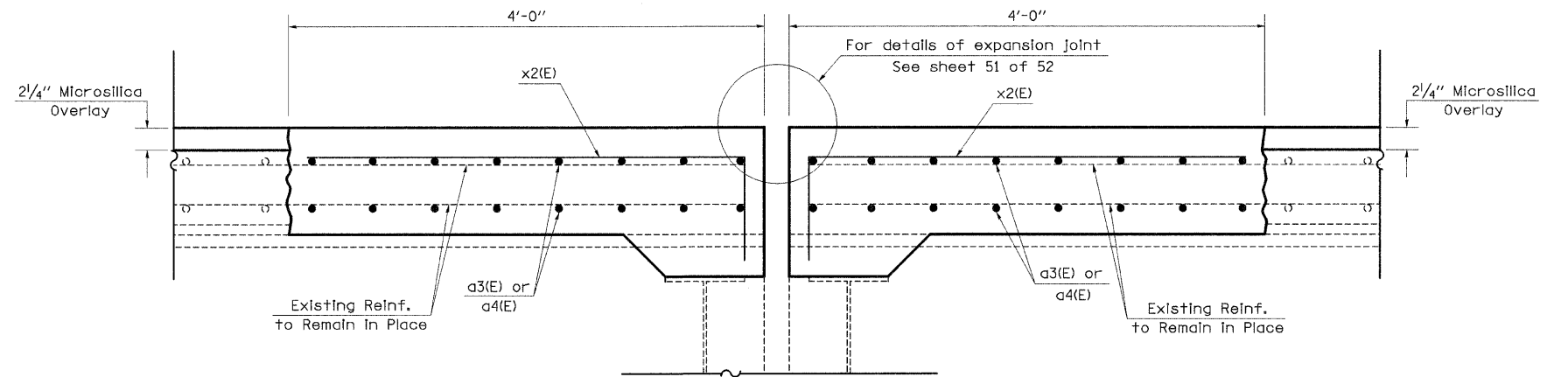
SECTION THRU PARAPET



SECTION C-C

(Dimensions at RT L's to end of deck)

- Existing Reinforcement
- Proposed Reinforcement



SECTION D-D

(Dimensions at RT L's to end of deck)

FILE NAME = c:\pw\work\PWIDOT\SWARTZR\ms37779\k	USER NAME = swartzw enbridge.dgn	DESIGNED -	REVISED -
	PLOT SCALE = 20,000 ' / IN.	DRAWN -	REVISED -
	PLOT DATE = 9/28/2009	CHECKED -	REVISED -
		DATE -	REVISED -

**STATE OF ILLINOIS
DEPARTMENT OF TRANSPORTATION**

**HINGE EXPANSION JOINT REPLACEMENT DETAILS
SN 058-0095 (EB) & SN 058-0096 (WB)**

SCALE: N/A SHEET NO. 8 OF 21 SHEETS STA. TO STA.

F.A.I. RTE.	SECTION	COUNTY	TOTAL SHEETS	SHEET NO.
72	66(B,HVB,HB-1)BR	MACON	83	52
FED. ROAD DIST. NO. ILLINOIS FED. AID PROJECT			CONTRACT NO. 74343	