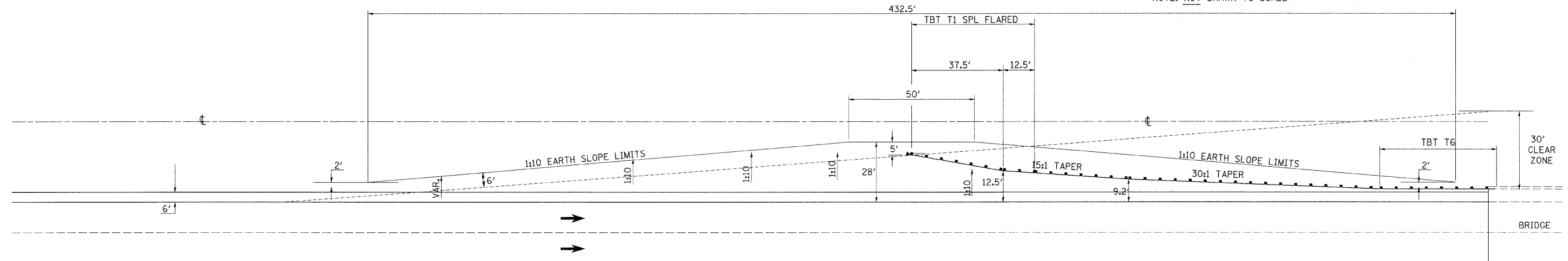
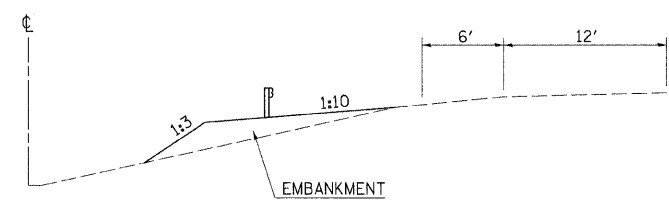


DETAIL OF FLARED GUARDRAIL AT DUAL STRUCTURES

NOTE: NOT DRAWN TO SCALE



NOTE: SEE PLAN SHEET SCHEDULES FOR LOCATIONS AND STATIONING OF GUARDRAIL.



FILE NAME =	USER NAME = swartzrw	DESIGNED -	REVISED -
cr\pw_work\PWIDOT\SWARTZRW\dms37771\sh	details_74343.dgn	DRAWN -	REVISED -
	PLOT SCALE = 20.0000' / IN.	CHECKED -	REVISED -
	PLOT DATE = 9/28/2009	DATE -	REVISED -

STATE OF ILLINOIS
DEPARTMENT OF TRANSPORTATION

DETAILS

SCALE: NA SHEET NO. 1 OF 1 SHEETS STA. TO STA.

F.A.I. RTE.	SECTION	COUNTY	TOTAL SHEETS	SHEET NO.
72	66(B,HVB,HB-1)BR	MACON	83	83
FED. ROAD DIST. NO. ILLINOIS FED. AID PROJECT			CONTRACT NO. 74343	