



PAVED SHOULDER REMOVAL

LT STA 236+12 TO 237+68 52 S. Y.  
LT STA 241+40 TO 242+96 52 S. Y.

BASE COURSE WIDENING

LT STA 236+12 TO 237+68 52 S. Y.  
LT STA 241+40 TO 242+96 52 S. Y.

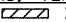
TEMPORARY CONCRETE BARRIER

RT STA 236+41 TO LT STA 237+41 100 FEET  
LT STA 237+41 TO LT STA 241+66 425 FEET  
LT STA 241+66 TO RT STA 242+66 100 FEET

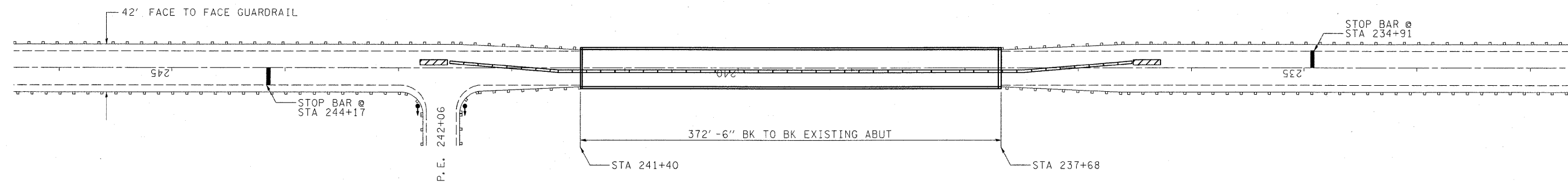
TOTAL 625 FEET

PAVEMENT MARKING REMOVAL

STA 234+91 TO STA 244+17 570 S.F.

IMPACT ATTENUATORS, TEMPORARY (NON-REDIRECTIVE), TEST LEVEL 3  
( SHOWN BELOW AS  )

2 EACH



NOTE: SEE STANDARD 701321 FOR DETAILS NOT SHOWN.

**STAGE 1**



PAVED SHOULDER REMOVAL

RT STA 236+23 TO 237+68 48.5 S. Y.  
RT STA 241+40 TO 242+85 48.5 S. Y.

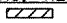
BASE COURSE WIDENING

RT STA 236+23 TO 237+68 48.5 S. Y.  
RT STA 241+40 TO 242+85 48.5 S. Y.

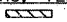
RELOCATE TEMPORARY CONCRETE BARRIER

LT STA 236+53 TO RT STA 237+41 88 FEET  
RT STA 237+41 TO RT STA 241+66 425 FEET

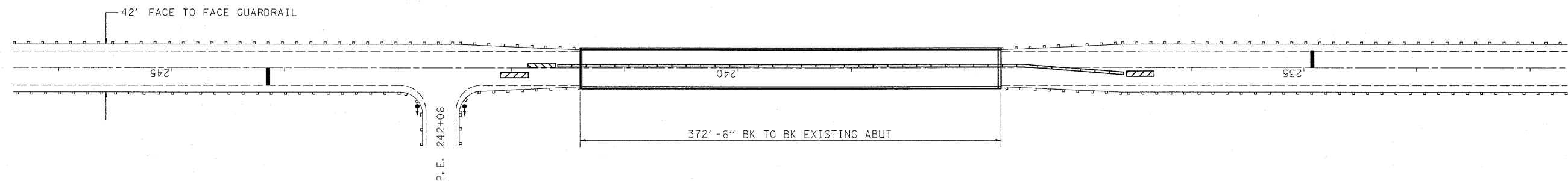
TOTAL 513 FEET

IMPACT ATTENUATORS, RELOCATE, (NON-REDIRECTIVE), TEST LEVEL 3  
( SHOWN BELOW AS  )

2 EACH

IMPACT ATTENUATORS, TEMPORARY (FULLY REDIRECTIVE, NARROW) TEST LEVEL 3  
( SHOWN BELOW AS  )

1 EACH



**STAGE 2**

|   |                       |            |           |   |                           |           |    |        |               |         |        |                    |           |                           |    |   |
|---|-----------------------|------------|-----------|---|---------------------------|-----------|----|--------|---------------|---------|--------|--------------------|-----------|---------------------------|----|---|
| FILE NAME =   | USER NAME = teesleyck | DESIGNED - | REVISED - | <b>STATE OF ILLINOIS<br/>DEPARTMENT OF TRANSPORTATION</b> | <b>STAGE CONSTRUCTION</b> |           |    |        | F.A.P. RTE. = | SECTION | COUNTY | TOTAL SHEETS       | SHEET NO. |                           |    |   |
| ca:\pwork\pwidot\teesleyck\0144212\077403-sht-details.dgn |                       | DRAWN -    | REVISED - |   | SCALE:                    | SHEET NO. | OF | SHEETS | STA.          | TO      | STA.   | 325                | •         | Shelby                    | 16 | 5 |
| PLOT SCALE = 50.0000' / IN.                               |                       | CHECKED -  | REVISED - |   |                           |           |    |        |               |         |        |                    |           |                           |    |   |
| PLOT DATE = 2/18/2010                                     |                       | DATE -     | REVISED - |   |                           |           |    |        |               |         |        |                    |           |                           |    |   |
|   |                       |            |           |   |                           |           |    |        |               |         |        | CONTRACT NO. 74403 |           | ILLINOIS FED. AID PROJECT |    |   |