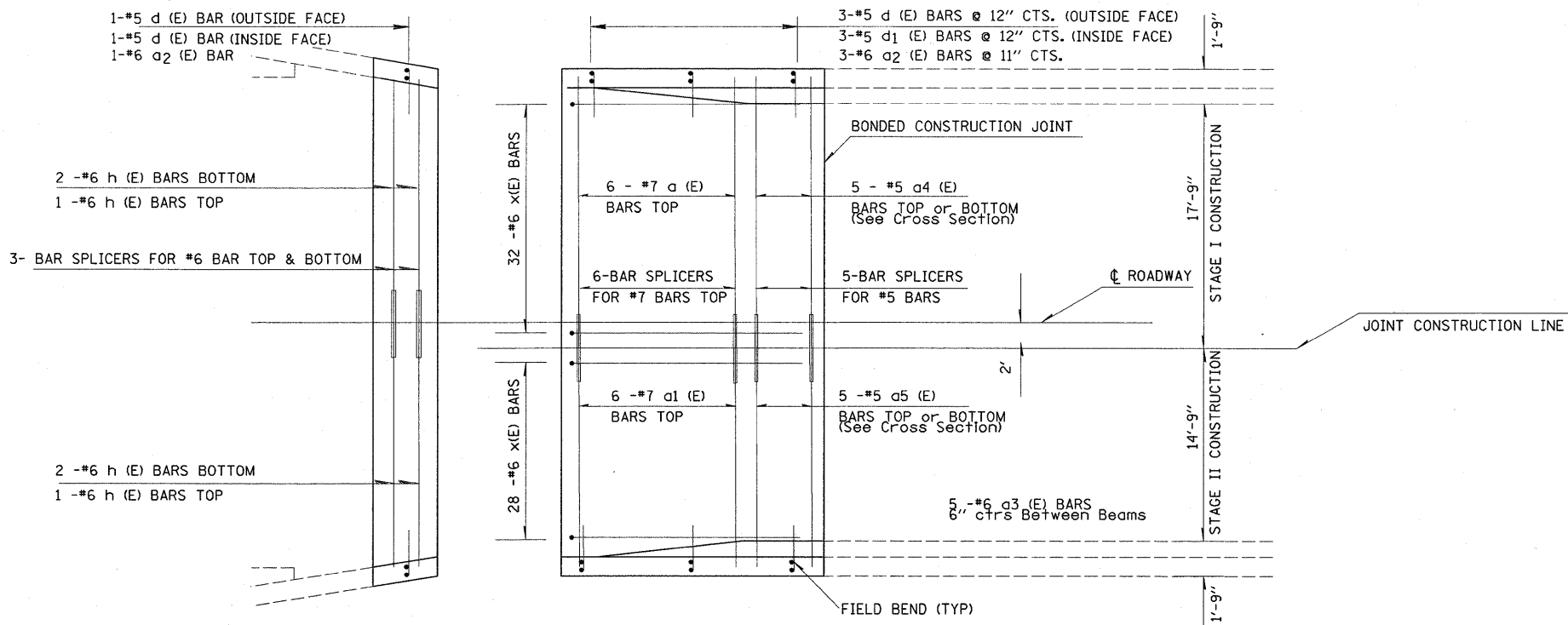
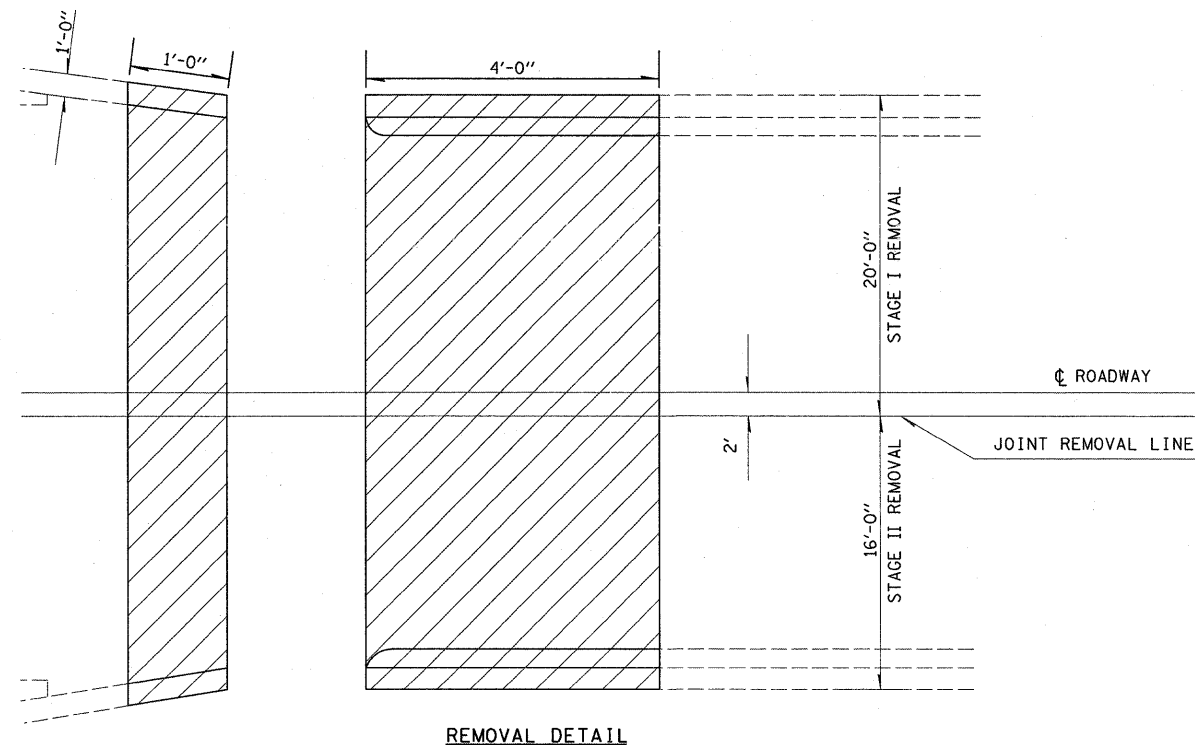
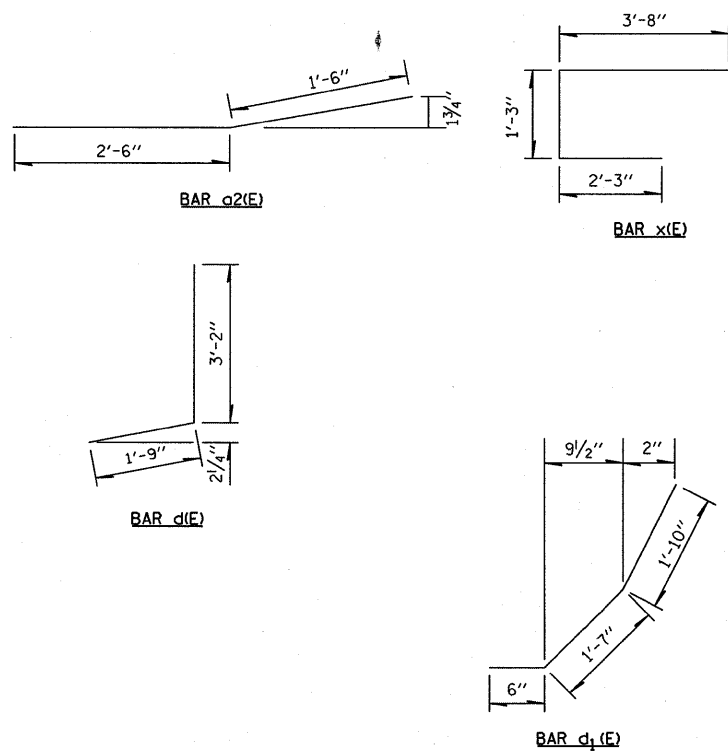


BAR LIST - PER JOINT - STR #087-0005

BAR	NUMBER OF BARS		TOTAL	SIZE	LENGTH	SHAPE
	STAGE I	STAGE II				
a(E)	6		6	7	19'-4"	—
a1(E)		6	6	7	16'-4"	—
a2(E)	4	4	8	6	4'-0"	—
a3(E)	15	15	30	6	4'-9"	—
a4(E)	5		5	5	19'-4"	—
a5(E)		5	5	5	16'-4"	—
d(E)	5	5	10	5	4'-11"	J
d1(E)	3	3	6	5	3'-11"	J
h(E)	3	3	6	6	17'-9"	—
x(E)	32	28	60	6	7'-2"	—
CONCRETE REMOVAL				CU YD	11.0	
REINFORCEMENT BARS (EPOXY COATED)				POUND	1770	
CONCRETE SUPERSTRUCTURE				CU YD	11.0	



REINFORCEMENT DETAIL



REMOVAL DETAIL

CONCRETE REMOVAL