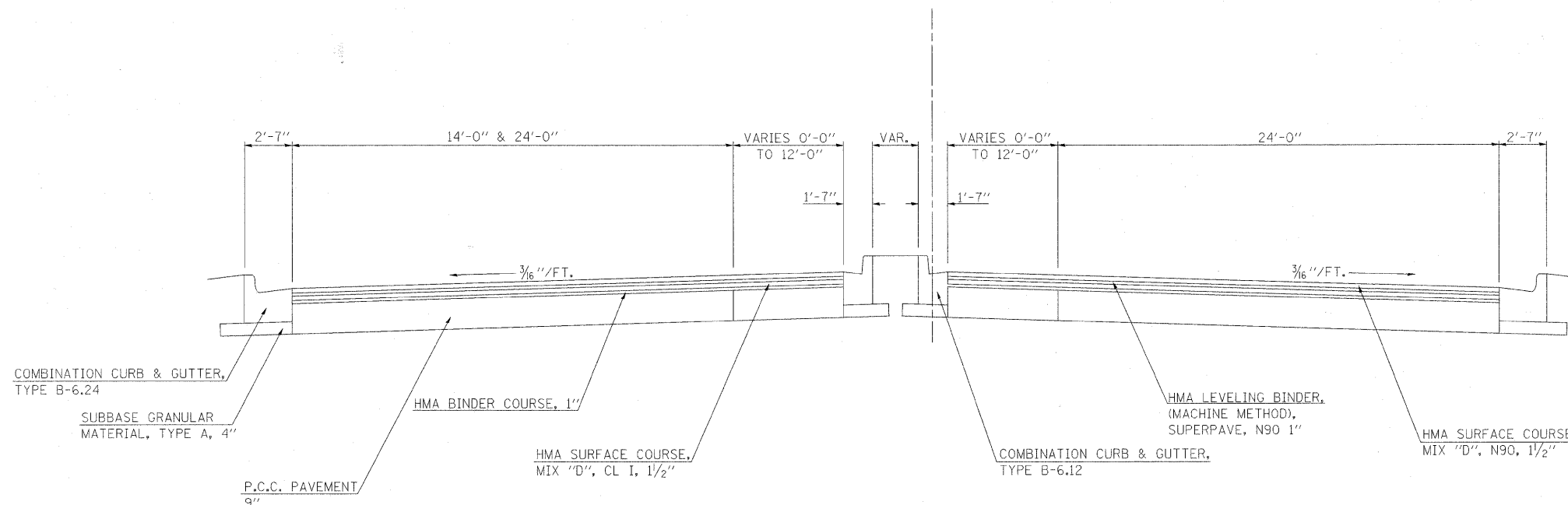
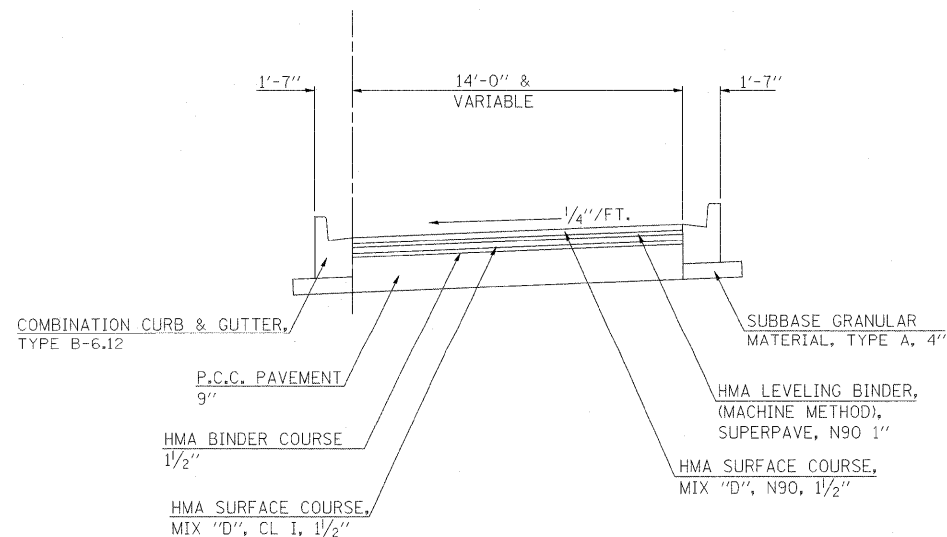


EXISTING TYPICAL/IL 105

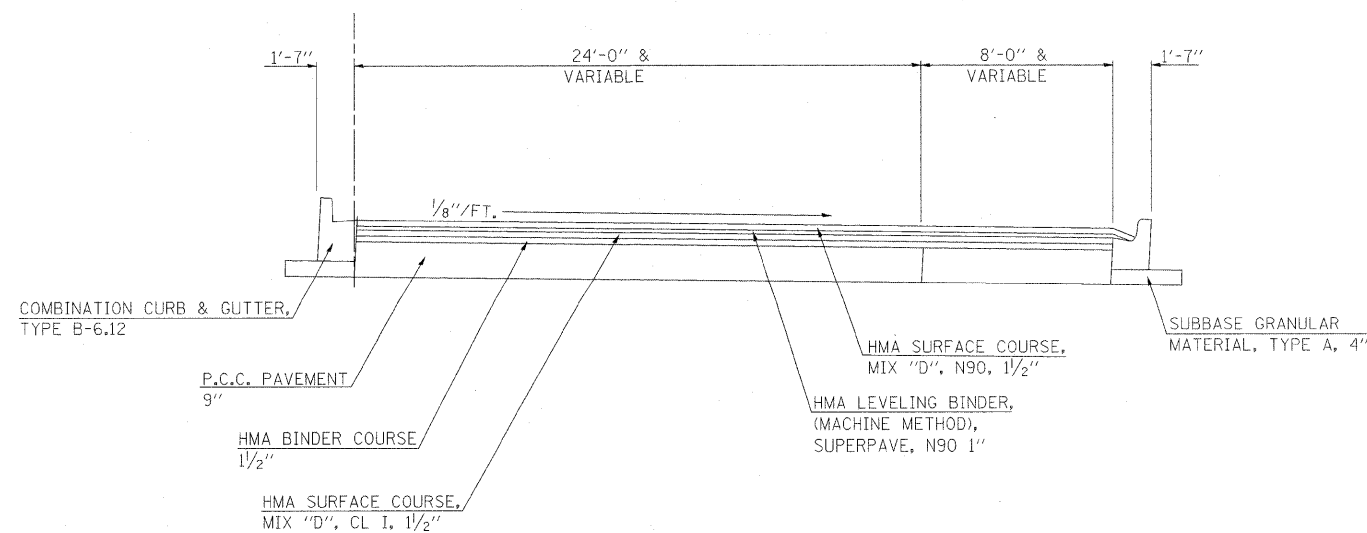
STA. 140+53.95 TO STA. 151+01.73



EXISTING TYPICAL/RAMP 'M'



EXISTING TYPICAL/RAMP 'N'



• (58-20)(48X-2)RS-1 & 128RS-3

FILE NAME =	USER NAME = swartzrw	DESIGNED -	REVISED -
ct:\pw_work\pwt\dot\swartzrw\d0146320\0774	405-sh-typical.dgn	DRAWN -	REVISED -
	PLOT SCALE = 20,0000' / IN.	CHECKED -	REVISED -
	PLOT DATE = 1/19/2010	DATE -	REVISED -

**STATE OF ILLINOIS
DEPARTMENT OF TRANSPORTATION**

**EXISTING TYPICAL
SECTIONS**

SCALE: SHEET NO. 7 OF 7 SHEETS STA. TO STA.

F.A.P. RTE.	SECTION	COUNTY	TOTAL SHEETS	SHEET NO.
714	*	MACON	100	10
			CONTRACT NO. 74405	
ILLINOIS FED. AID PROJECT				