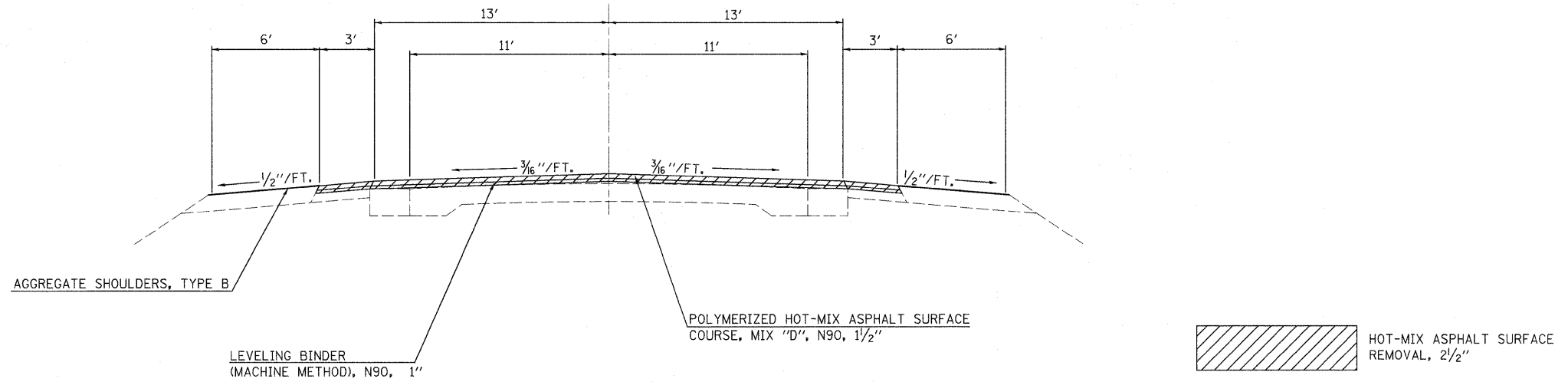


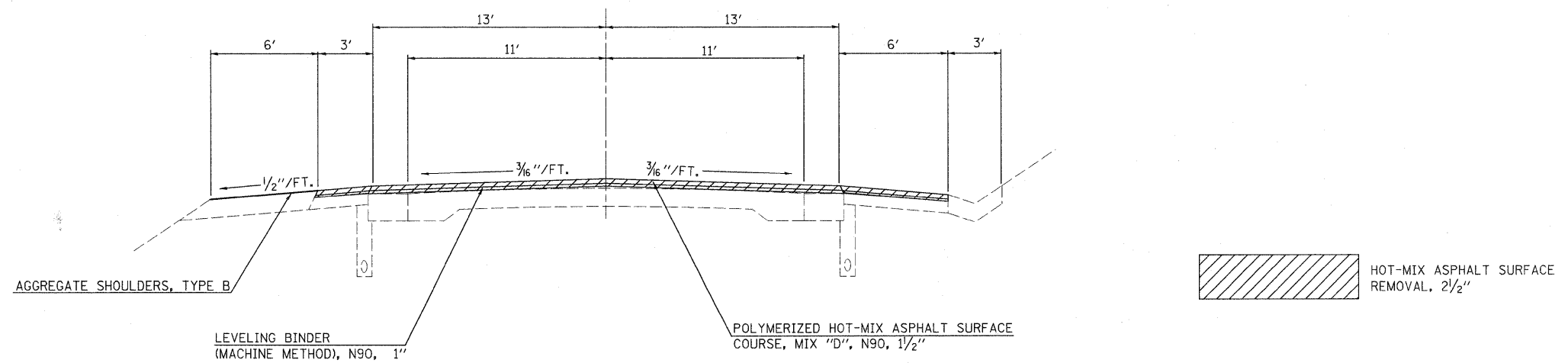
① PROPOSED TYPICAL/IL 48

STA. 784+04 TO STA. 813+33  
 STA. 819+18 TO STA. 824+70  
 STA. 834+75 TO STA. 841+30



② PROPOSED TYPICAL/IL 48

STA. 813+33 TO STA. 819+18  
 STA. 824+70 TO STA. 834+75



• (58-20X48X-2IRS-1 & 128RS-3

FILE NAME =	USER NAME = swartzw	DESIGNED -	REVISED -
c:\pwork\pwork\swartzw\d0146320\077	495-shr-typical.dgn	DRAWN -	REVISED -
PLOT SCALE = 20,0000 ' / IN.	CHECKED -	REVISED -	REVISED -
PLOT DATE = 1/19/2010	DATE -	REVISED -	REVISED -

STATE OF ILLINOIS  
 DEPARTMENT OF TRANSPORTATION

PROPOSED TYPICAL  
 SECTIONS

SCALE: SHEET NO. 1 OF 7 SHEETS STA. TO STA.

F.A.P. RTE.	SECTION	COUNTY	TOTAL SHEETS	SHEET NO.
714	•	MACON	100	11
ILLINOIS FED. AID PROJECT			CONTRACT NO. 74405	