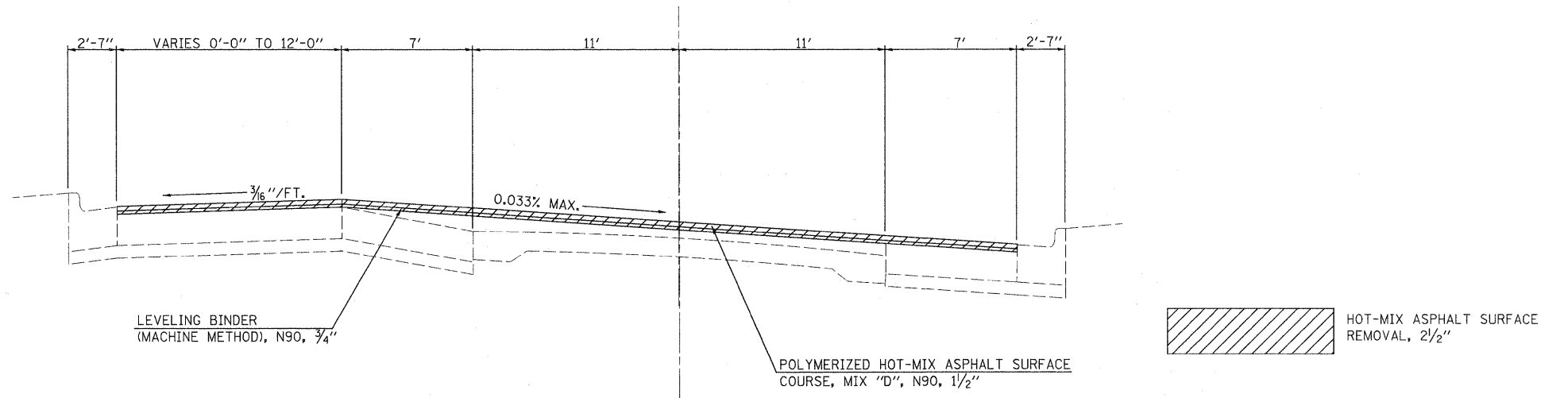


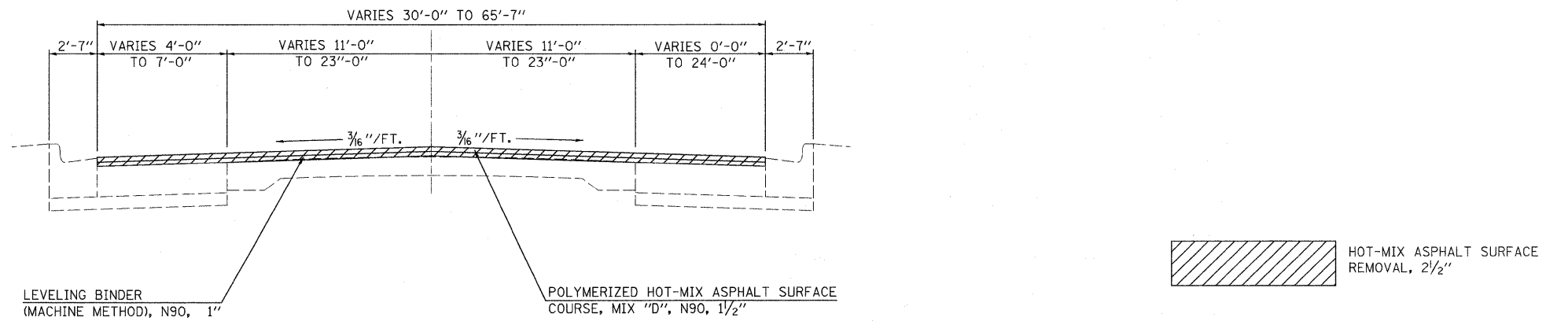
⑤ PROPOSED TYPICAL/IL 48

STA. 846+51.91 TO STA. 855+59.05



⑥ PROPOSED TYPICAL/IL48

STA. 855+59.05 TO STA. 884+12.97



• (58-20)(48X-2)RS-1 & 128RS-3

FILE NAME =	USER NAME = swartzrw	DESIGNED -	REVISED -	STATE OF ILLINOIS DEPARTMENT OF TRANSPORTATION	PROPOSED TYPICAL SECTIONS			F.A.P. RTE.	SECTION	COUNTY	TOTAL SHEETS	SHEET NO.
ci:\pw_work\pwidot\swartzrw\d0146320\0774405-sht-typical.dgn		DRAWN -	REVISED -		714	*	MACON	100	13			
PLOT SCALE = 20,0000 "/ IN.		CHECKED -	REVISED -		CONTRACT NO. 74405			ILLINOIS FED. AID PROJECT				
PLOT DATE = 1/19/2010		DATE -	REVISED -		SCALE:	SHEET NO. 3 OF 7 SHEETS	STA.	TO STA.				