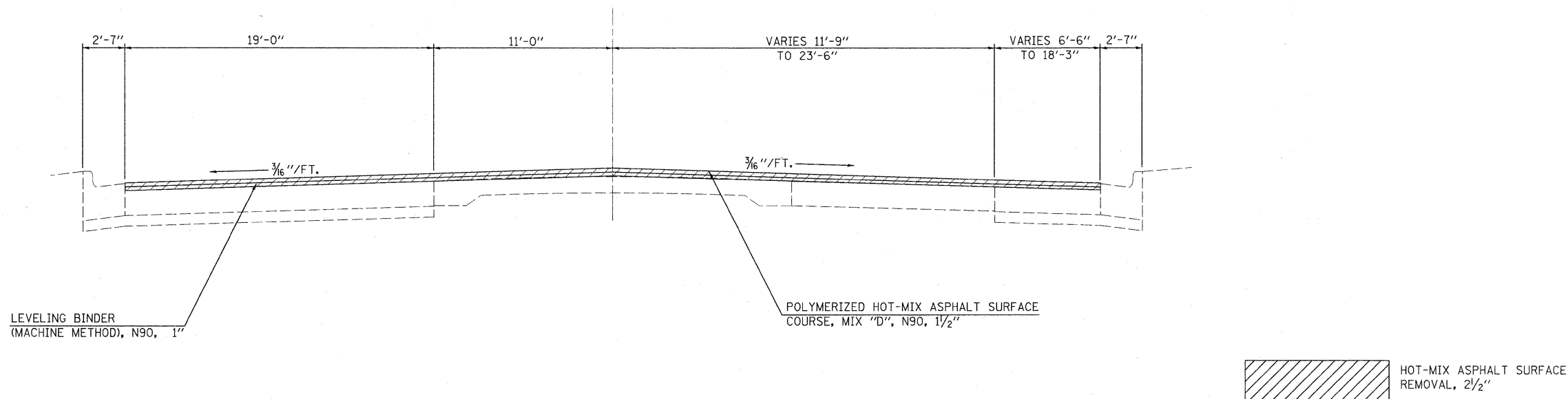


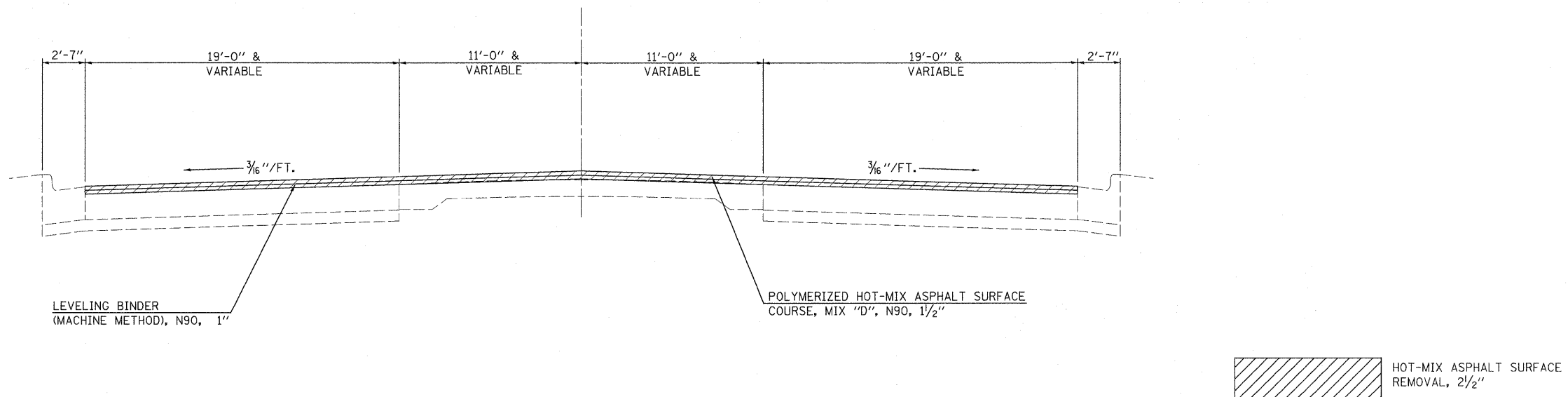
⑨ PROPOSED TYPICAL/IL 105

STA. 110+46.63 TO STA. 114+88.00



⑩ PROPOSED TYPICAL/IL 105

STA. 114+88.00 TO STA. 128+80.00



• (58-20)(48X-2)RS-1 & 128RS-3

FILE NAME =	USER NAME = swartzrw	DESIGNED -	REVISED -	<b>STATE OF ILLINOIS DEPARTMENT OF TRANSPORTATION</b>	<b>PROPOSED TYPICAL SECTIONS</b>		F.A.P. RTE.	SECTION	COUNTY	TOTAL SHEETS	SHEET NO.
ct:\pw\work\pwidot\swartzrw\d0146320\0774	405-sh-typical.dgn	DRAWN -	REVISED -				714	*	MACON	100	15
	PLOT SCALE = 20.0000' / IN.	CHECKED -	REVISED -		SCALE:		SHEET NO. 5 OF 7 SHEETS	STA.	TO STA.	CONTRACT NO. 74405	
	PLOT DATE = 1/19/2010	DATE -	REVISED -		ILLINOIS FED. AID PROJECT						