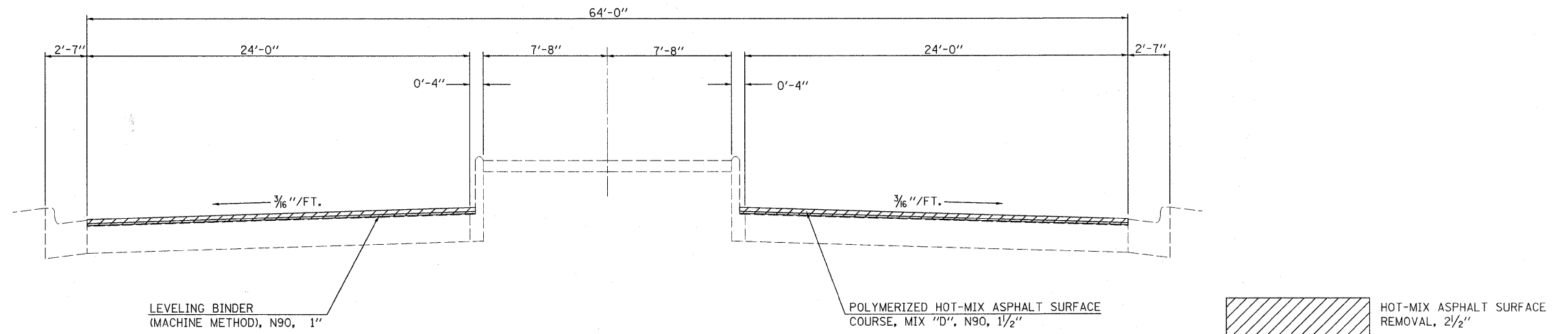


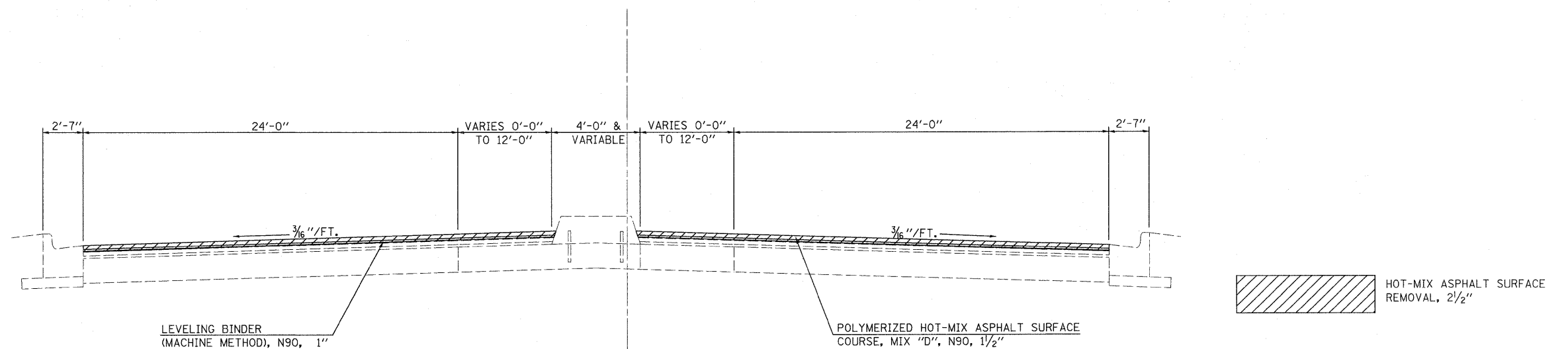
⑪ PROPOSED TYPICAL/IL 105

STA. 128+80.00 TO STA. 135+75.00



⑫ PROPOSED TYPICAL/IL 105

STA. 135+75.00 TO STA. 140+53.95



• (58-20)(48X-2)RS-1 & 128RS-3

FILE NAME =	USER NAME = swartzrw	DESIGNED -	REVISED -	STATE OF ILLINOIS DEPARTMENT OF TRANSPORTATION	PROPOSED TYPICAL SECTIONS		F.A.P. RTE.	SECTION	COUNTY	TOTAL SHEETS	SHEET NO.
ci:\pw_work\pwsdot\swartzrw\d0146320\077405-sh-typical.dgn	PLOT SCALE = 20.0000' / IN.	DRAWN -	REVISED -				714		MACON	100	16
	PLOT DATE = 1/19/2010	CHECKED -	REVISED -		SCALE: SHEET NO. 6 OF 7 SHEETS STA. TO STA.		CONTRACT NO. 74405		ILLINOIS FED. AID PROJECT		
		DATE -	REVISED -								