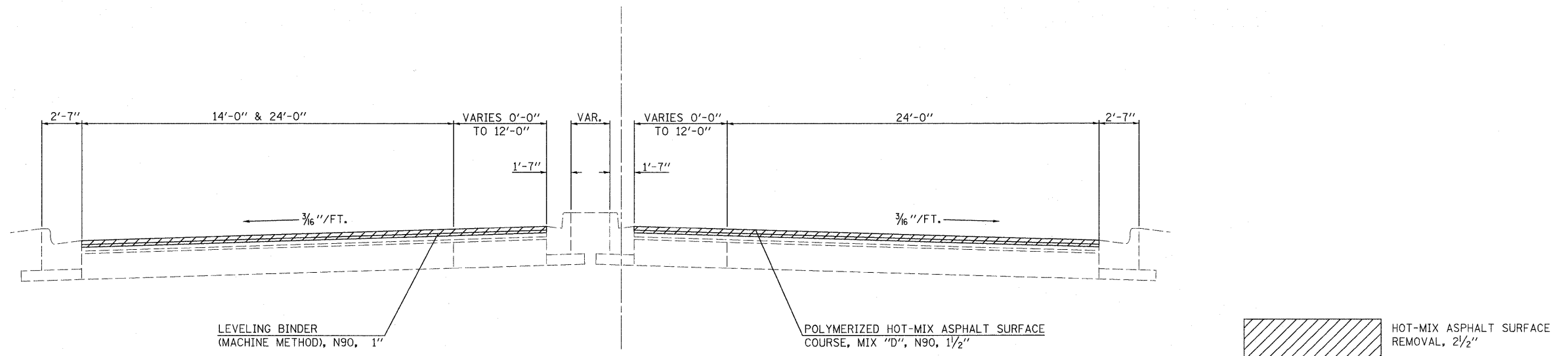


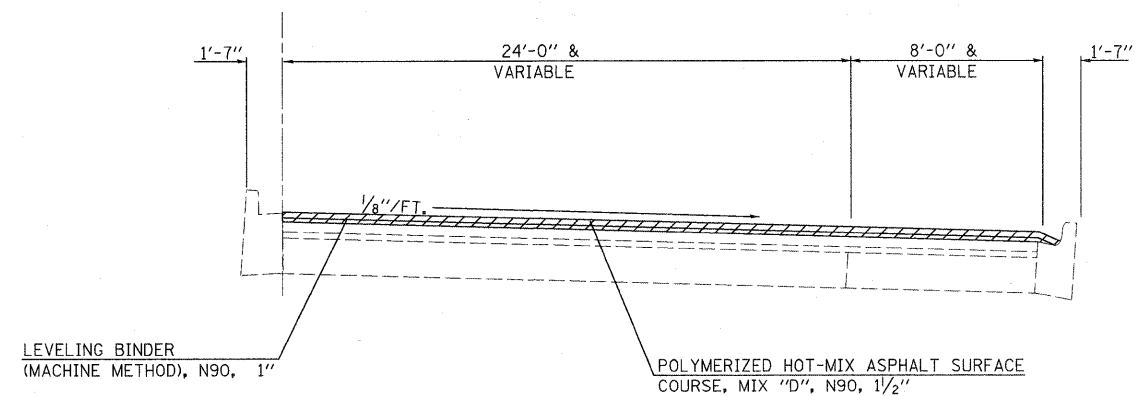
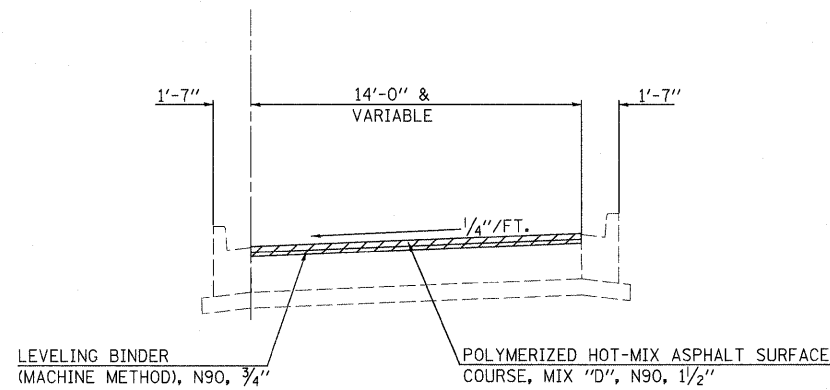
13 PROPOSED TYPICAL/IL 105

STA. 140+53.95 TO STA. 151+01.73



PROPOSED TYPICAL/RAMP "M"

PROPOSED TYPICAL/RAMP "N"



• (58-20)(48X-2)RS-1 & 128RS-3

FILE NAME =	USER NAME = swartzw	DESIGNED -	REVISED -	STATE OF ILLINOIS DEPARTMENT OF TRANSPORTATION	PROPOSED TYPICAL SECTIONS	F.A.P. RTE.	SECTION	COUNTY	TOTAL SHEETS	SHEET NO.	
ct:\pw_work\pwidot\swartzw\d0146320\0774	405-shr-typical.dgn	DRAWN -	REVISED -			714	•	MACON	100	17	
	PLOT SCALE = 20,0000' / IN.	CHECKED -	REVISED -			CONTRACT NO. 74405					
	PLOT DATE = 1/19/2010	DATE -	REVISED -			ILLINOIS FED. AID PROJECT					