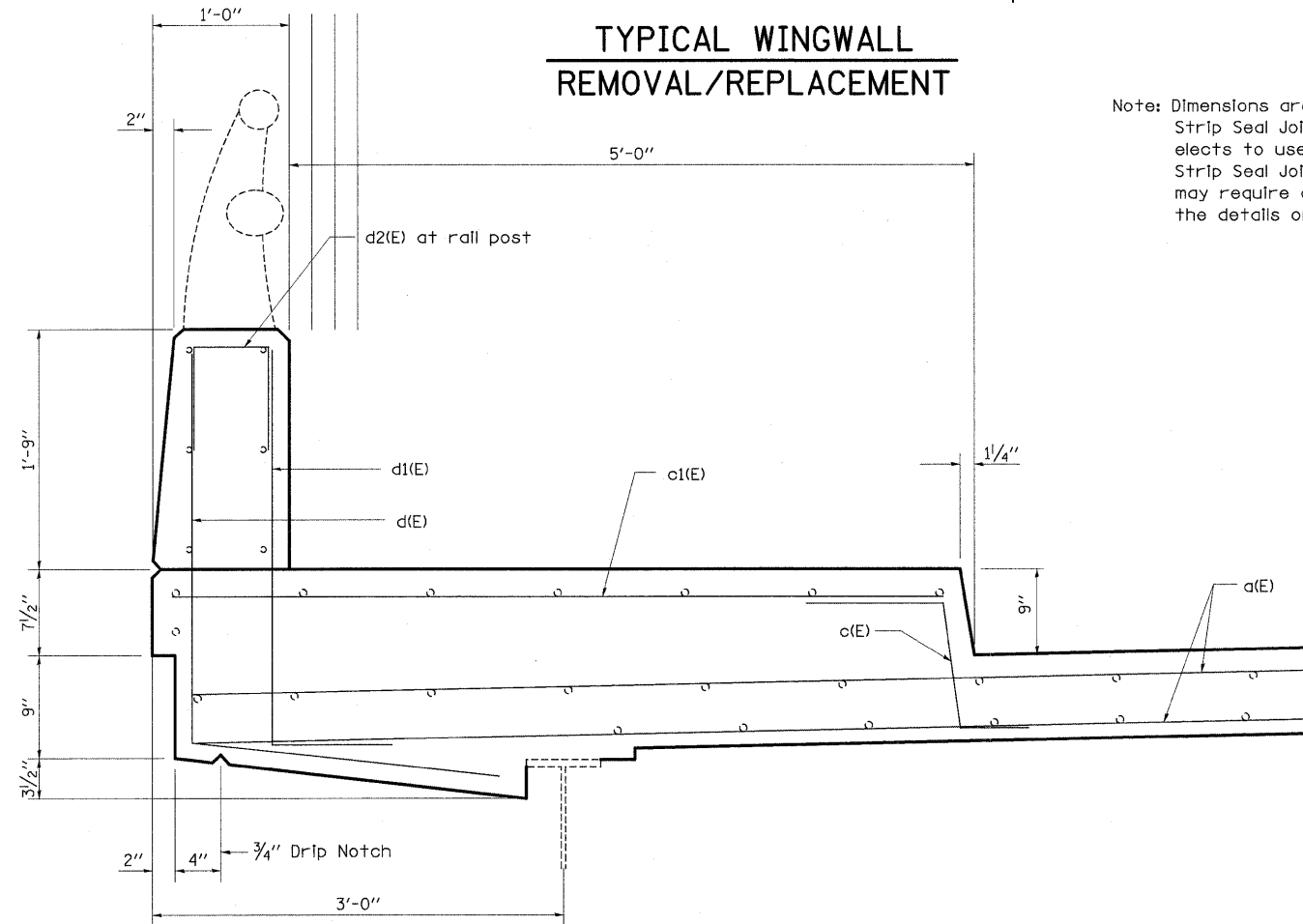


**TYPICAL WINGWALL
REMOVAL/REPLACEMENT**



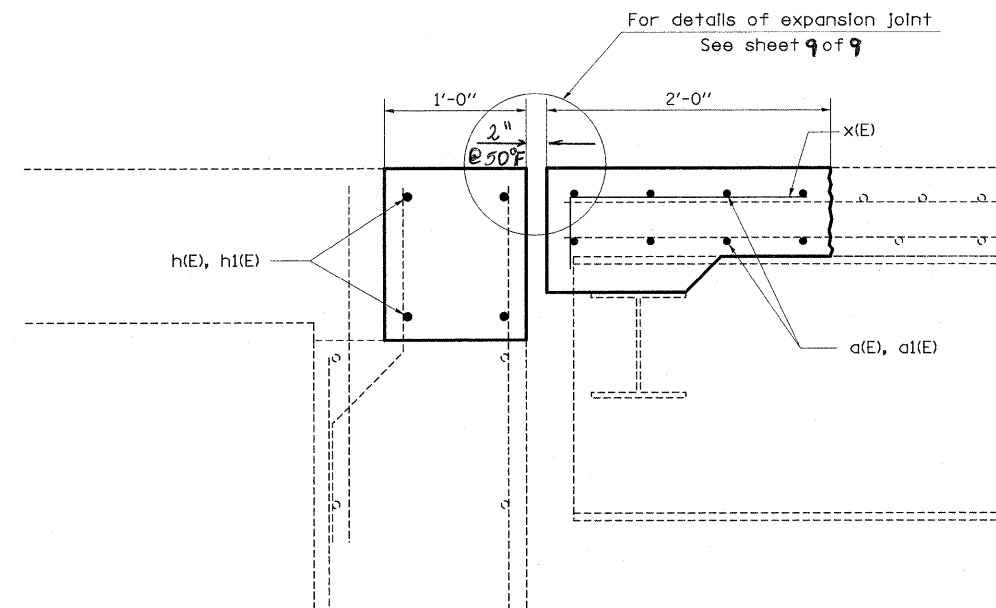
SECTION THRU PARAPET

Note: Dimensions are based on a Rolled Rail Strip Seal Joint. If the Contractor elects to use the Welded Rail Strip Seal Joint, deck dimensions may require adjustments to satisfy the details on Base Sheet EJ-SSJ.

SECTION A-A

(Dimensions at RT L's to end of deck)

- Existing Reinforcement
- Proposed Reinforcement



SECTION B-B

(Dimensions at RT L's to end of deck)

FILE NAME =	USER NAME = swartzrw	DESIGNED - KLB	REVISED -	STATE OF ILLINOIS DEPARTMENT OF TRANSPORTATION	EXPANSION JOINT REPLACEMENT DETAILS		F.A.P. RTE. 714	SECTION *	COUNTY MACON	TOTAL SHEETS 100	SHEET NO. 94
c:\pwwork\pwwid01\SWARTZRW\d0146337.D7	4485-shr-brdetails.dgn	DRAWN - KLB	REVISED -		S.N. 058-0112		SCALE: NA	SHEET NO. 4 OF 9 SHEETS	STA. TO STA.	CONTRACT NO. 74405	
	PLOT SCALE = 20.0000 / IN.	CHECKED - MEA	REVISED -							ILLINOIS FED. AID PROJECT	
	PLOT DATE = 1/19/2010	DATE - 12/29/09	REVISED -								

• (58-20)(48X-2)RS-1 & 128RS-3