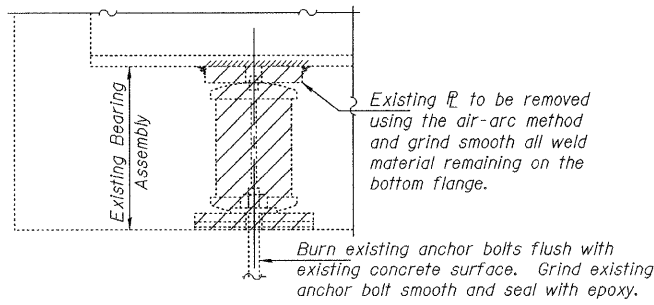
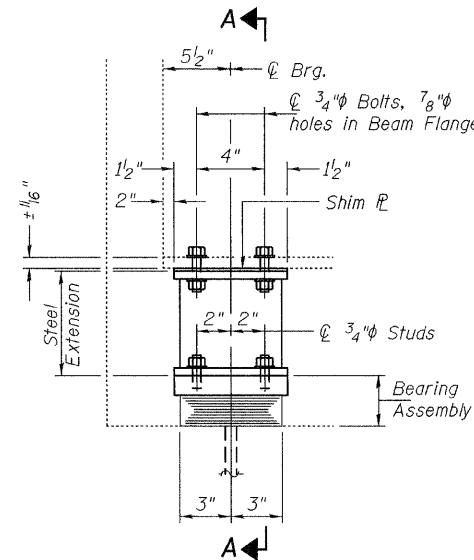


STATE OF ILLINOIS
DEPARTMENT OF TRANSPORTATION

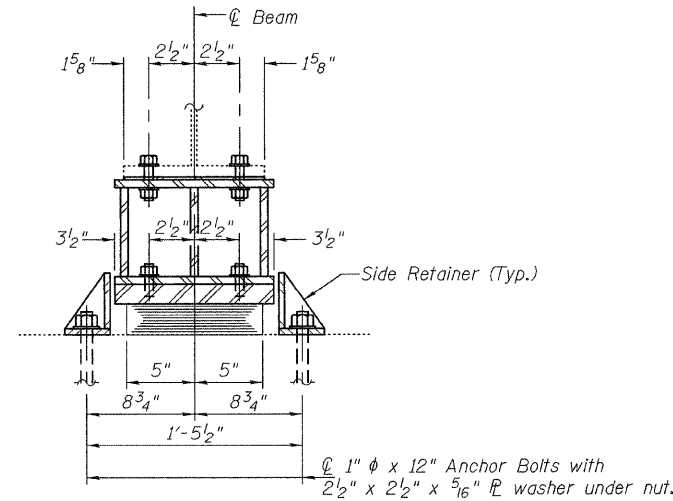


EXISTING BEARING REMOVAL DETAIL

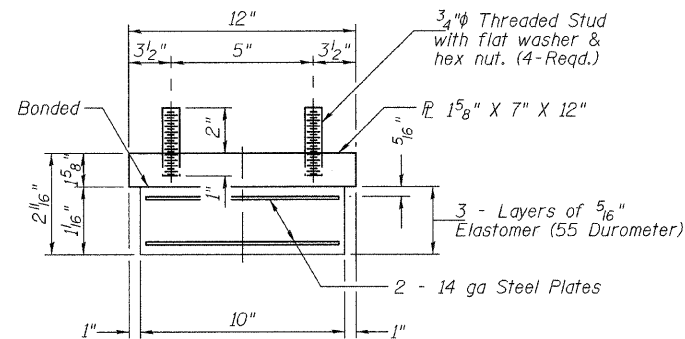
Cost included with Jack and Remove Existing Bearings.



ELEVATION AT EAST AND WEST ABUTMENT



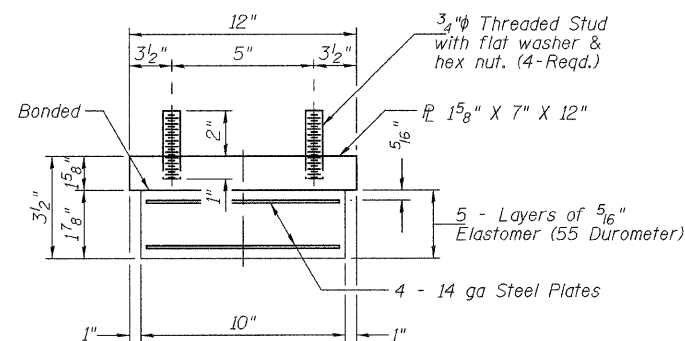
SECTION A-A



WEST ABUTMENT BEARING ASSEMBLY

(10 Req'd)

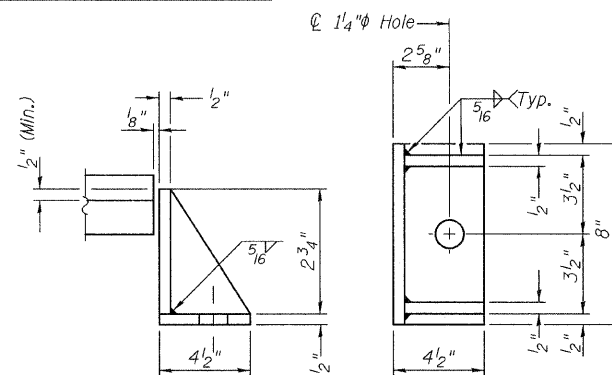
Note: Shim plates shall not be placed under Bearing Assembly.



EAST ABUTMENT BEARING ASSEMBLY

(10 Req'd)

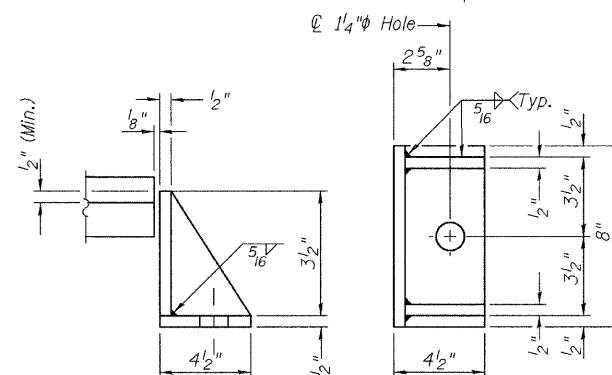
Note: Shim plates shall not be placed under Bearing Assembly.



WEST ABUTMENT SIDE RETAINER

(20 Req'd)

Equivalent rolled angle with stiffeners will be allowed in lieu of welded plates.



EAST ABUTMENT SIDE RETAINER

(20 Req'd)

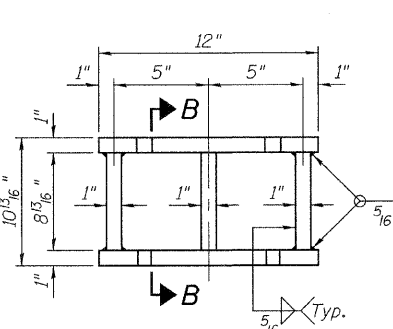
Equivalent rolled angle with stiffeners will be allowed in lieu of welded plates.

WEST ABUTMENT BEAM REACTIONS

R \bar{r}	(K)	10.7
R \bar{r}	(K)	32.4
Imp.	(K)	9.7
R (Total)	(K)	52.8

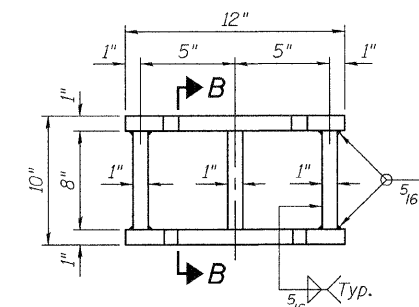
EAST ABUTMENT BEAM REACTIONS

R \bar{r}	(K)	10.7
R \bar{r}	(K)	32.4
Imp.	(K)	9.7
R (Total)	(K)	52.8



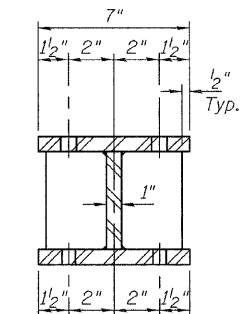
WEST ABUTMENT STEEL EXTENSION DETAIL

(10 Req'd)

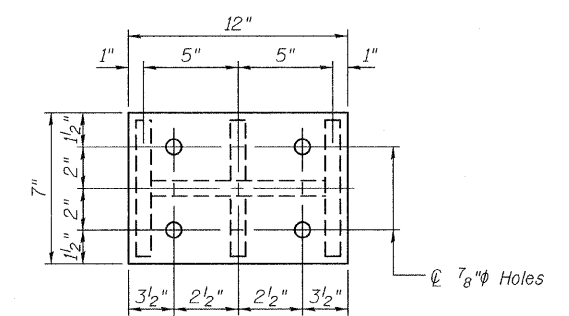


EAST ABUTMENT STEEL EXTENSION DETAIL

(10 Req'd)



SECTION B-B



PLAN TOP AND BOTTOM PLATE

BILL OF MATERIAL

Item	Unit	Total
Elastomeric Bearing Assembly, Type I	Each	20
Jack and Remove Existing Bearings	Each	20
Furnishing and Erecting Structural Steel	Pound	2,320
Anchor Bolts 1" ϕ	Each	40

BEARING DETAILS SN 058-0112

SHEET NO. 2	F.A. RTE.	SECTION	COUNTY	TOTAL SHEETS	SHEET NO.
	714	48X-2(W,RS), 128(W-1,RS-2) & 128BY	Macon	100	96
2 SHEETS	CONTRACT NO. 74405				
FED. ROAD DIST. NO.		ILLINOIS FED. AID PROJECT			

DESIGNED	V.H.V.
CHECKED	D.A.B.
DRAWN	Drew Christopher
CHECKED	V.H.V. D.A.B.

March 4, 2010
EXAMINED *Carl Proyer*
ENGINEER OF STRUCTURAL SERVICES
PASSED *Ralph E. Anderson*
ENGINEER OF BRIDGES AND STRUCTURES

TYI/REPS 12-03-2008