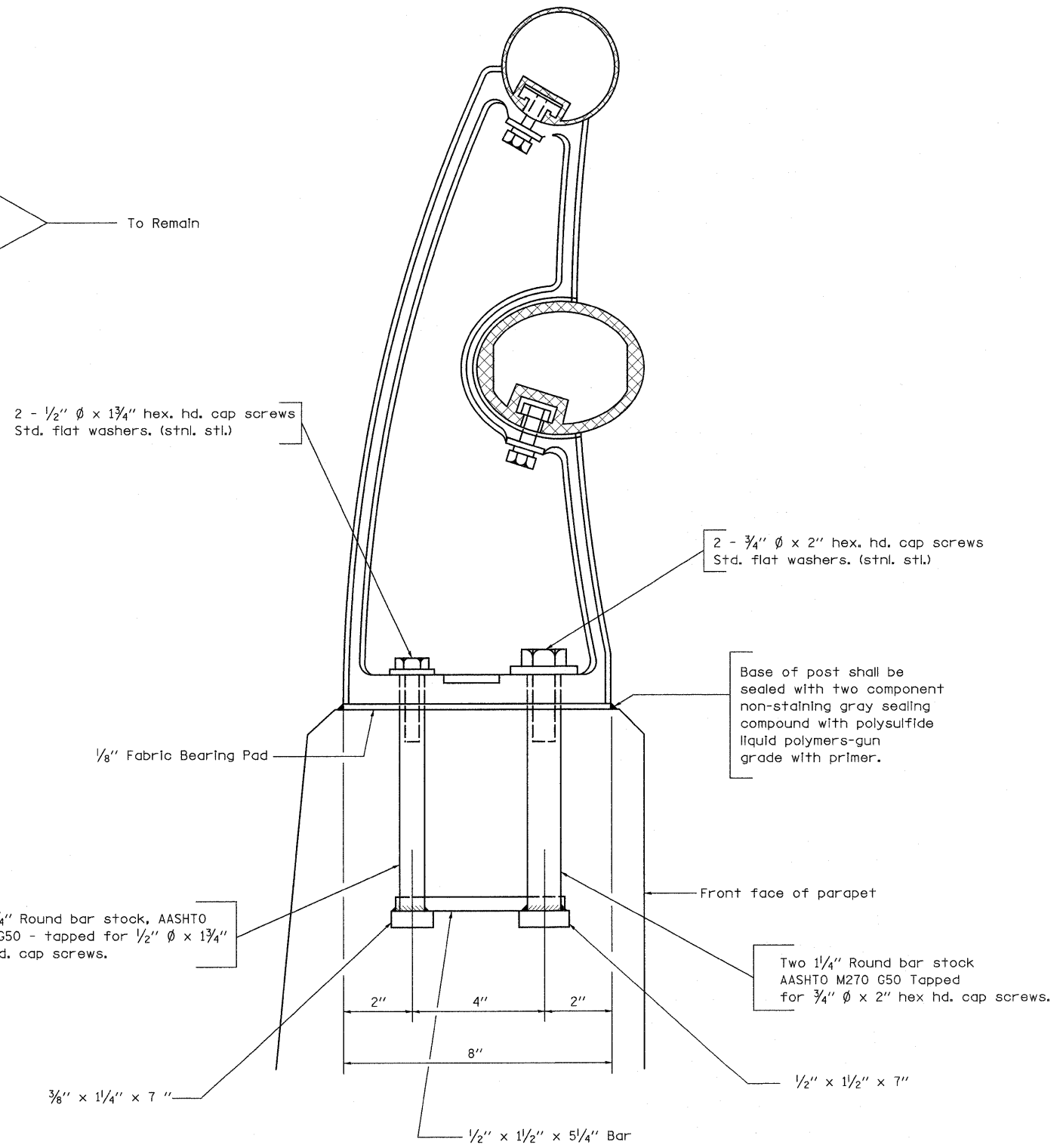


Note: New Rail Post anchorage devices will be required at each location where posts are connected to new construction. Cost shall be included with Concrete Superstructure.



2 - 1/2" Ø x 1 3/4" hex. hd. cap screws  
Std. flat washers. (stnl. stl.)

2 - 3/4" Ø x 2" hex. hd. cap screws  
Std. flat washers. (stnl. stl.)

Base of post shall be sealed with two component non-staining gray sealing compound with polysulfide liquid polymers-gun grade with primer.

1/8" Fabric Bearing Pad

Two 3/4" Round bar stock, AASHTO M270 G50 - tapped for 1/2" Ø x 1 3/4" hex hd. cap screws.

Front face of parapet

Two 1/4" Round bar stock AASHTO M270 G50 Tapped for 3/4" Ø x 2" hex hd. cap screws.

3/8" x 1/4" x 7"

1/2" x 1/2" x 5/4" Bar

1/2" x 1/2" x 7"

• (58-20)(48X-2)RS-1 & 128RS-3

FILE NAME =	USER NAME = swartzrw	DESIGNED - KLB	REVISED -	<b>STATE OF ILLINOIS DEPARTMENT OF TRANSPORTATION</b>	<b>RAIL SUPPORT ANCHOR DETAILS S.N. 058-0112</b>		F.A.P. RTE. 714	SECTION	COUNTY	TOTAL SHEETS	SHEET NO.
ct:\pw_work\PIWIDOT\SWARTZRW\08146337\07	4405-sht-brdetails.dgn	DRAWN - KLB	REVISED -		SCALE: NA	SHEET NO. 7 OF 9 SHEETS	STA.	TO STA.	MACON	100	97
	PLOT SCALE = 20,0000' / IN.	CHECKED - MEA	REVISED -					CONTRACT NO. 74405			
	PLOT DATE = 1/19/2010	DATE - 12/29/09	REVISED -					ILLINOIS FED. AID PROJECT			