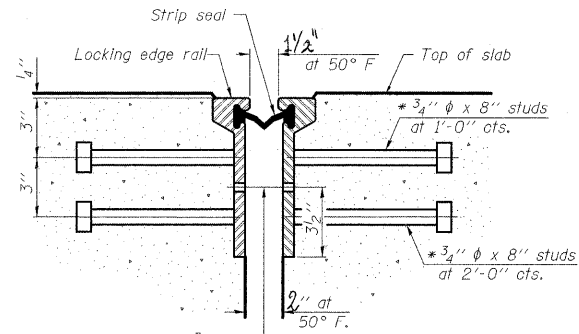
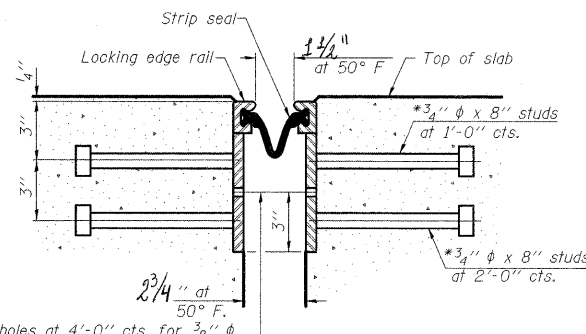


* Granular or solid flux filled headed studs conforming to Article 1006.32 of the Std. Specs., automatically end welded.



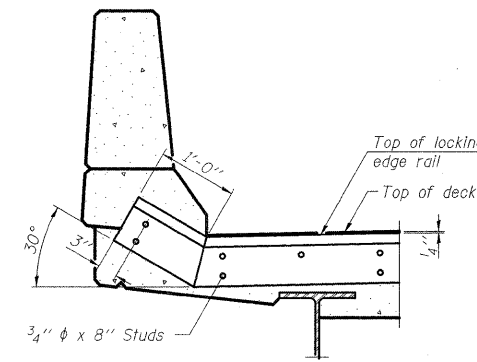
$\frac{7}{16}$ " ϕ holes at 4'-0" cts. for $\frac{3}{8}$ " ϕ bolts. All bolts shall be burned, sawed, or chipped off flush with the plates after forms are removed, typ.

SECTION THRU ROLLED RAIL JOINT



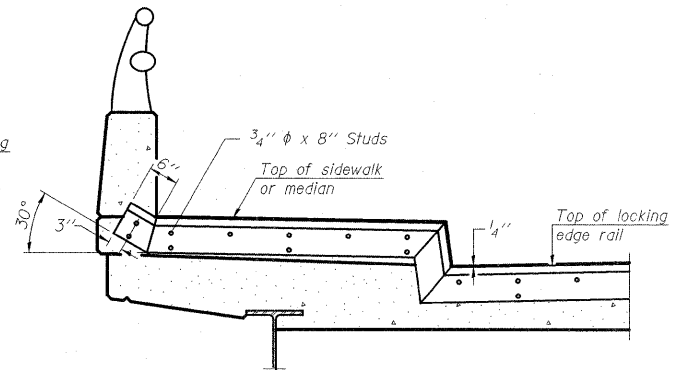
$\frac{7}{16}$ " ϕ holes at 4'-0" cts. for $\frac{3}{8}$ " ϕ bolts. All bolts shall be burned, sawed, or chipped off flush with the plates after forms are removed, typ.

SECTION THRU WELDED RAIL JOINT



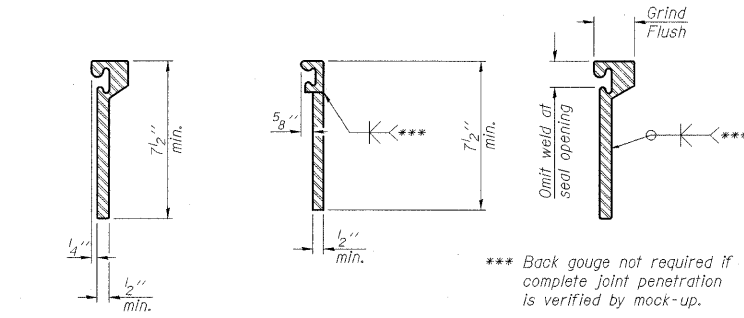
AT PARAPET

See Section A-A for end treatment of skews > 30°.



AT SIDEWALK OR MEDIAN

Shorter plates with a single row of studs at 12" cts. may be necessary on medians which are shallower than 9". See manufacturer's recommendation.



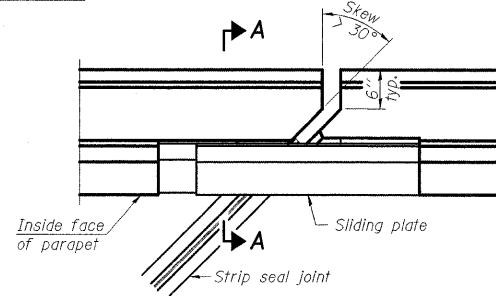
ROLLED EXTRUDED RAIL

WELDED RAIL

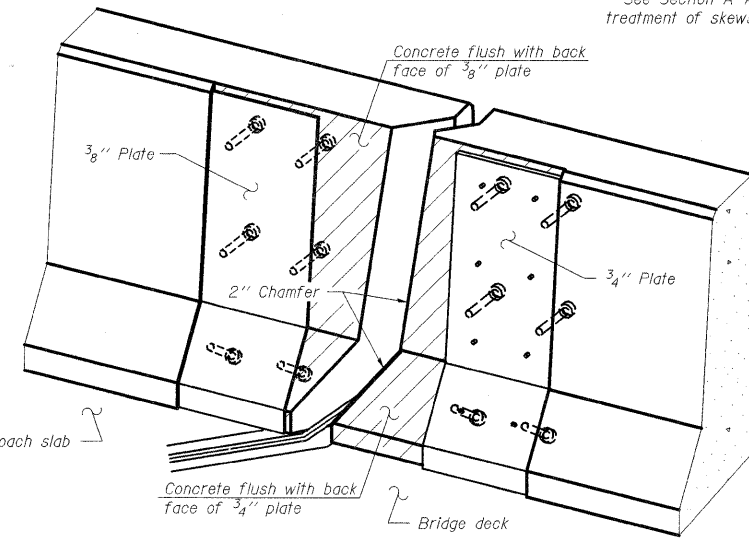
LOCKING EDGE RAIL SPLICE

The inside of the locking edge rail groove shall be free of weld residue. Rolled rail shown, welded rail similar.

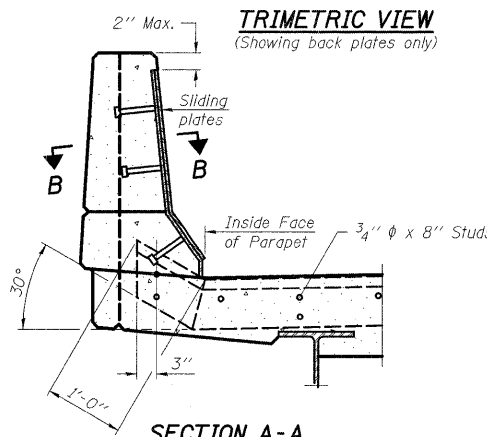
LOCKING EDGE RAILS



PLAN

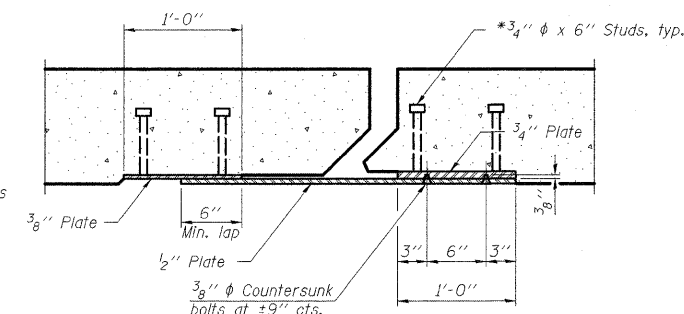


TRIMETRIC VIEW (Showing back plates only)



SECTION A-A

POINT BLOCK DETAILS (for skews > 30°)



SECTION B-B

TYPICAL END TREATMENTS

Notes:
The strip seal shall be made continuous and shall have a minimum thickness of 1/4". The configuration of the strip seal shall match the configuration of the Locking Edge Rails. Open or "webbed" strip seal gland configurations are not permitted. The gland shall be sized for a maximum rated movement of 4 inches. The Locking Edge Rails depicted are conceptual only, except for the minimum dimensions shown. The actual configuration of the Locking Edge Rails and matching strip seal may vary from manufacturer to manufacturer. Flanged edge rails will not be allowed. Locking Edge Rails may be spliced at slope discontinuities.
The manufacturer's recommended installation methods shall be followed. The joint opening and deck dimensions detailed on the superstructure are based on a rolled rail expansion joint. If the Contractor elects to use the welded rail expansion joint, the opening and deck dimensions shall be modified according to the dimensions detailed on this sheet. Required modifications shall be made at no additional cost to the State.
All steel components shall be galvanized after fabrication according to Article 520.03 of the Standard Specifications.
Maximum space between rail segments at stage lines shall be 3/16", sealed with a suitable sealant.

BILL OF MATERIAL

Item	Unit	Total
Preformed Joint Strip Seal	Foot	153

PREFORMED JOINT STRIP SEAL STRUCTURE NO. 058-0112

EJ-SSJ

11-1-09

FILE NAME =	USER NAME = swartzrw
ci:\pw\work\VPWIDOT\SWARTZRW\08146337\07	4405-shr-brdetails.dgn
PLOT SCALE = 20.0000' / IN.	
PLOT DATE = 1/19/2010	

DESIGNED - KLB	REVISIONS -
DRAWN - KLB	REVISIONS -
CHECKED - MEA	REVISIONS -
DATE - 12/29/09	REVISIONS -

STATE OF ILLINOIS DEPARTMENT OF TRANSPORTATION

PREFORMED JOINT STRIP SEAL S.N. 058-0112

SCALE: NA SHEET NO. 9 OF 9 SHEETS STA. TO STA.

(58-20)(48X-2)RS-1 & 128RS-3

F.A.P. RTE. 714	SECTION *	COUNTY MACON	TOTAL SHEETS 100	SHEET NO. 99
			CONTRACT NO. 74405	
ILLINOIS FED. AID PROJECT				