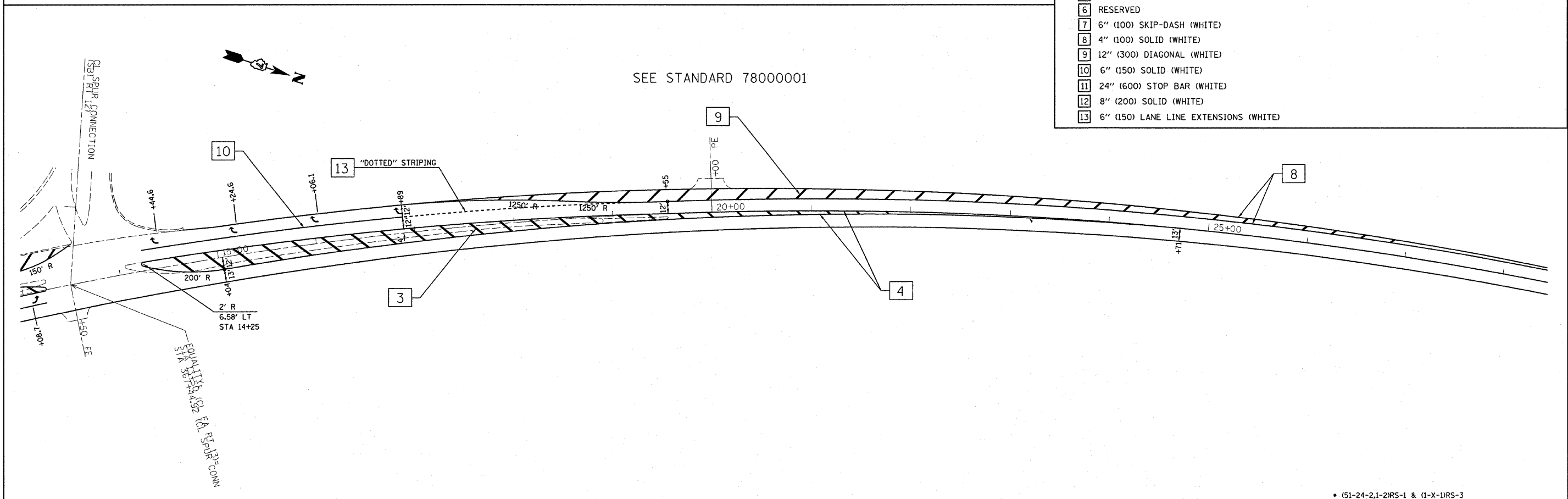


PAVEMENT MARKING LEGEND		TYPICAL PAVEMENT MARKERS LEGEND	
1	4" (100) SKIP-DASH (YELLOW)	◆	TWO-WAY AMBER MARKER
2	4" (100) SOLID (YELLOW)	▶	ONE-WAY AMBER MARKER
3	12" (300) DIAGONAL (YELLOW)	▷	ONE-WAY CRYSTAL MARKER
4	4" (100) DOUBLE YELLOW (NARROW)		
5	RESERVED		
6	RESERVED		
7	6" (100) SKIP-DASH (WHITE)		
8	4" (100) SOLID (WHITE)		
9	12" (300) DIAGONAL (WHITE)		
10	6" (150) SOLID (WHITE)		
11	24" (600) STOP BAR (WHITE)		
12	8" (200) SOLID (WHITE)		
13	6" (150) LANE LINE EXTENSIONS (WHITE)		



FILE NAME =	USER NAME = swartzw	DESIGNED -	REVISED -	<b>STATE OF ILLINOIS DEPARTMENT OF TRANSPORTATION</b>	<b>STRIPING DETAILS</b>			• (51-24-2,1-2RS-1 & (1-X-1RS-3	
c:\pw_work\PWIDOT\SWARTZRW\d0148574.dwg	4414-sht-striping.dgn	DRAWN -	REVISED -		F.A.P. SECTION	COUNTY	TOTAL SHEETS	SHEET NO.	
	PLOT SCALE = 58.0000' / IN.	CHECKED -	REVISED -		783		42	25	
	PLOT DATE = 1/29/2010	DATE -	REVISED -		CONTRACT NO. 74414				
					ILLINOIS FED. AID PROJECT				