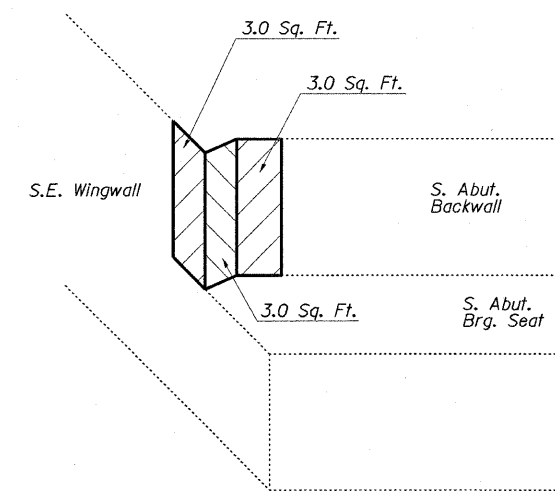
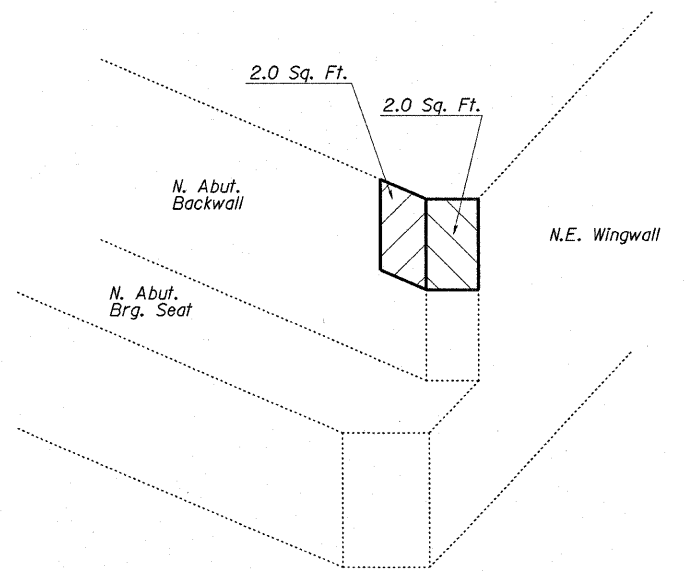


South Abut., West End

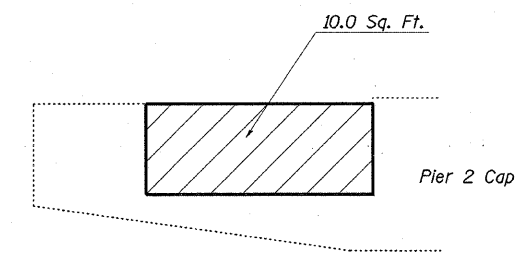


South Abut., East End

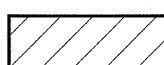
Note: Quantities are estimated. Actual quantities to be determined by the Resident Engineer.



North Abut., East End



Pier 2, East End, North Face

 Structural Repair of Concrete (Depth < 5")

FILE NAME =	USER NAME = swartzw	DESIGNED - MEA	REVISED -	<b>STATE OF ILLINOIS DEPARTMENT OF TRANSPORTATION</b>	<b>STRUCTURAL REPAIR OF CONCRETE &lt; 5"</b> <b>S.N. 051-0032</b>	F.A.P. RTE.	SECTION	COUNTY	TOTAL SHEETS	SHEET NO.	
c:\pw\work\PW1001\SWARTZRW\d0140563\07	4414-brdetails-0510032.dgn	DRAWN - MEA	REVISED -			783	*	LAWRENCE	42	33	
	PLOT SCALE = 20.0000' / IN.	CHECKED -	REVISED -			CONTRACT NO. 74414		ILLINOIS FED. AID PROJECT			
	PLOT DATE = 1/29/2010	DATE -	REVISED -			SCALE: NA	SHEET NO. 3 OF 4 SHEETS	STA.	TO STA.		

• (51-24-2,1-2)RS-1&(1-X-1)RS-3