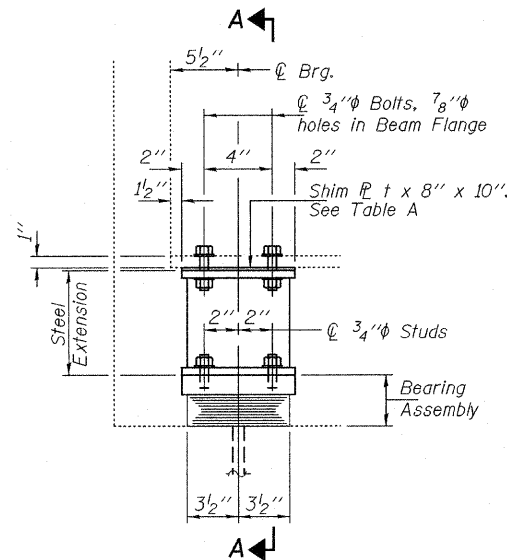
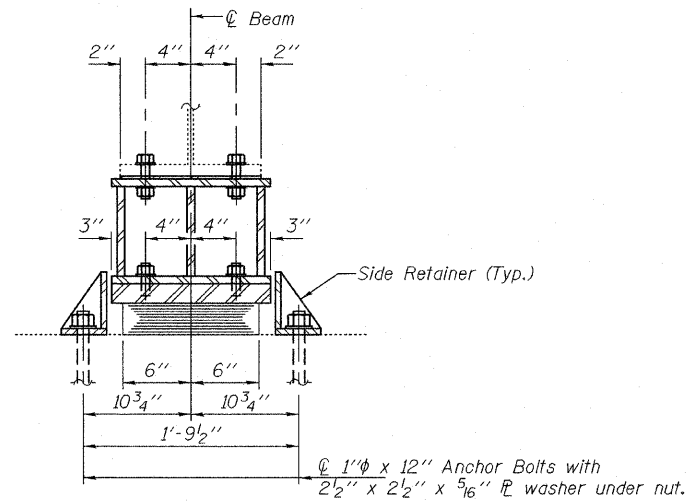


STATE OF ILLINOIS
DEPARTMENT OF TRANSPORTATION



ELEVATION AT N. ABUTMENT

TYPE I ELASTOMERIC EXP. BRG.

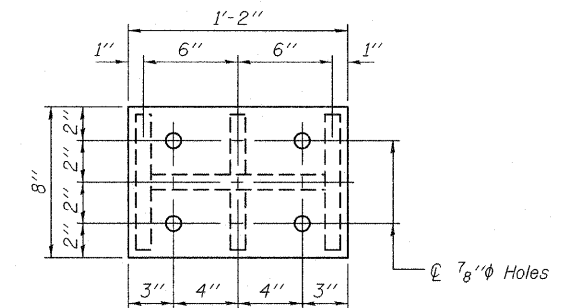


SECTION A-A

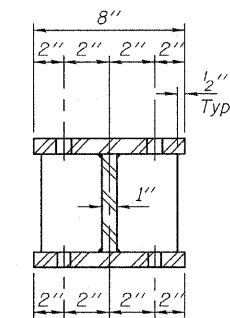
BEAM REACTIONS

RP	(K)	26.6
Rt	(K)	32.2
Imp.	(K)	8.5
R (Total)	(K)	67.3

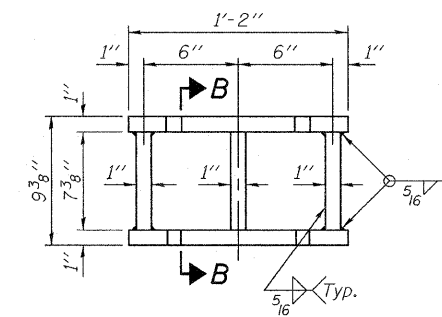
Notes:
Diaphragm removal and reinstallation may be required to facilitate drilling holes. Cost included with Furnishing and Erecting Structural Steel.
New steel extensions, shim plates and connection bolts are included with Furnishing and Erecting Structural Steel.
Prior to ordering any material, the Contractor shall verify in the field all bearing height and shim thickness dimensions. Min. jack capacity = 36Tons.
Anchor bolts shall be ASTM F1554 all-thread (or an Engineer-approved alternate material) of the grade(s) and diameter(s) specified. ASTM A307 Grade C anchor bolts may be used in lieu of ASTM F1554 Grade 36 (Fy=36ksi). The corresponding specified grade of AASHTO M314 anchor bolts may be used in lieu of ASTM F1554.
Drilled and set anchor bolts shall be installed according to Article 521.06 of the Standard Specifications.
Side retainers shall be included in the cost of Elastomeric Bearing Assembly, Type I.



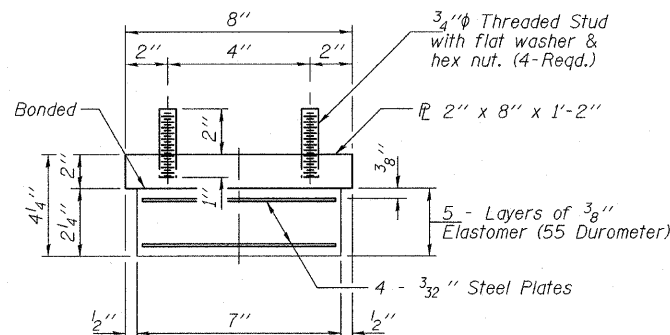
PLAN TOP AND BOTTOM PLATE



SECTION B-B



STEEL EXTENSION DETAIL

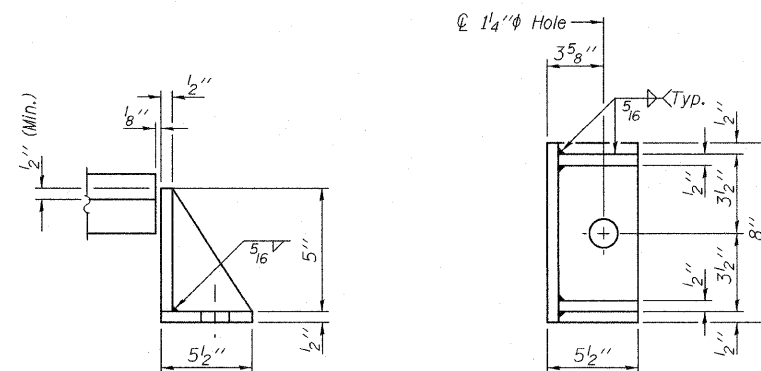


BEARING ASSEMBLY

Note:
Shim plates shall not be placed under Bearing Assembly.

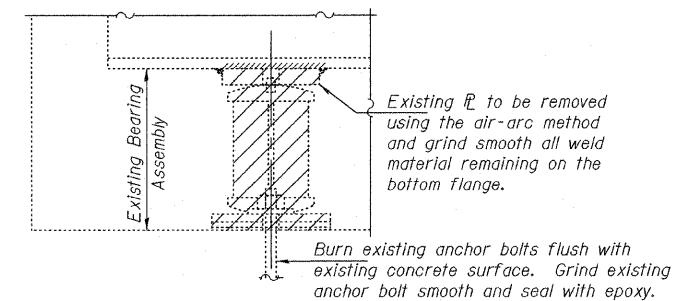
TABLE A

Beam	t
1	0
2	0
3	0
4	1/4"
5	3/4"
6	1 1/4"



SIDE RETAINER

Equivalent rolled angle with stiffeners will be allowed in lieu of welded plates.



EXISTING BEARING REMOVAL DETAIL

Cost included with Jack and Remove Existing Bearings.

BILL OF MATERIAL

Item	Unit	Total
Elastomeric Bearing Assembly, Type I	Each	6
Jack and Remove Existing Bearings	Each	6
Furnishing and Erecting Structural Steel	Pound	860
Anchor Bolts 1"φ	Each	12

NORTH ABUTMENT
BEARING REPLACEMENT DETAILS
IL 33 OVER CSXT RAILROAD
SN 051-0032

DESIGNED	IJL
CHECKED	GGE
DRAWN	baliva
CHECKED	IJL GGE

MARCH 3, 2010
EXAMINED *A. Carl Pover*
ENGINEER OF STRUCTURAL SERVICES
PASSED *Ralph E. Anderson*
ENGINEER OF BRIDGES AND STRUCTURES

TYI/REPS 12-03-2008

SHEET NO. 4 7 SHEETS	F.A.P. RTE. 783	SECTION (51-24-2,1-2)RS- 1&(1-X-1)RS-3	COUNTY LAWRENCE	TOTAL SHEETS 42	SHEET NO. 38
	FED. ROAD DIST. NO.	ILLINOIS FED. AID PROJECT	CONTRACT NO. 74414		