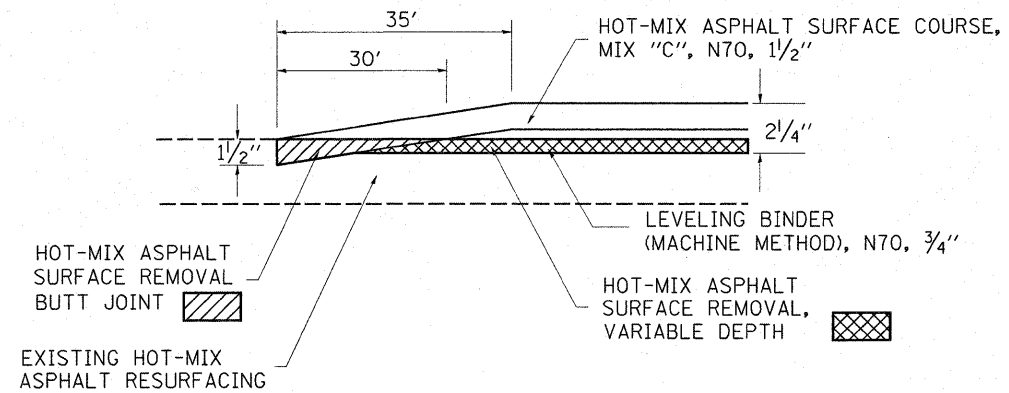


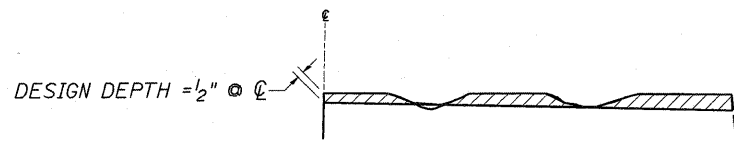
MILLING TRANSITION DETAIL

STATION 21+00.00 TO STATION 21+35.00
 STATION 2+65.00 TO STATION 3+00.00
 STATION 22+50.00 TO STATION 22+85.00



BUTT JOINT DETAIL

STATION 38+55.20 TO STATION 38+90.20



NOTES:

1. MILLING SHALL BE DONE TO ATTAIN A 3/16 "/li>

HOT-MIX ASPHALT SURFACE REMOVAL (VARIABLE DEPTH) DETAIL

• (51-24-2,1-2)RS-1 & (1-X-1)RS-3

FILE NAME =	USER NAME = swartzw	DESIGNED -	REVISED -	STATE OF ILLINOIS DEPARTMENT OF TRANSPORTATION	CONSTRUCTION DETAILS			F.A.P. RTE.	SECTION	COUNTY	TOTAL SHEETS	SHEET NO.	
ca:\pw_work\p\dot\swartzw\d0148574\d77	414-shr-details.dgn	DRAWN -	REVISED -					783	.	LAWRENCE	42	42	
	PLOT SCALE = 20.0000 ' / IN.	CHECKED -	REVISED -		SCALE: NA			SHEET NO. 1 OF 1 SHEETS		STA.	TO STA.	CONTRACT NO. 74414	
	PLOT DATE = 1/29/2010	DATE -	REVISED -		FED. ROAD DIST. NO. ILLINOIS FED. AID PROJECT								