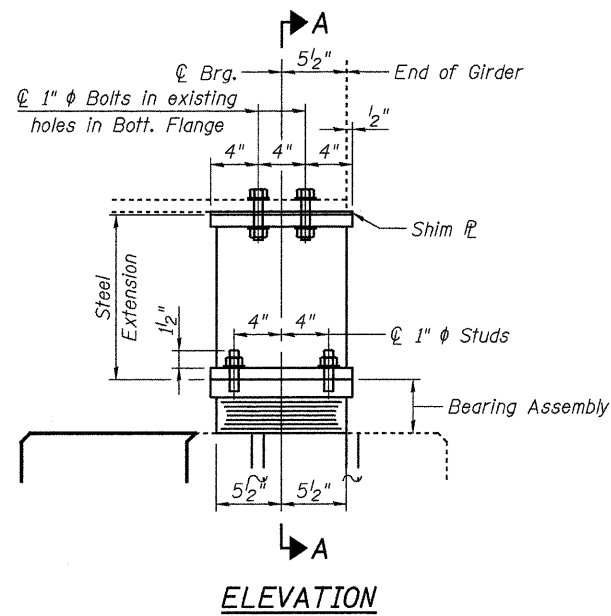
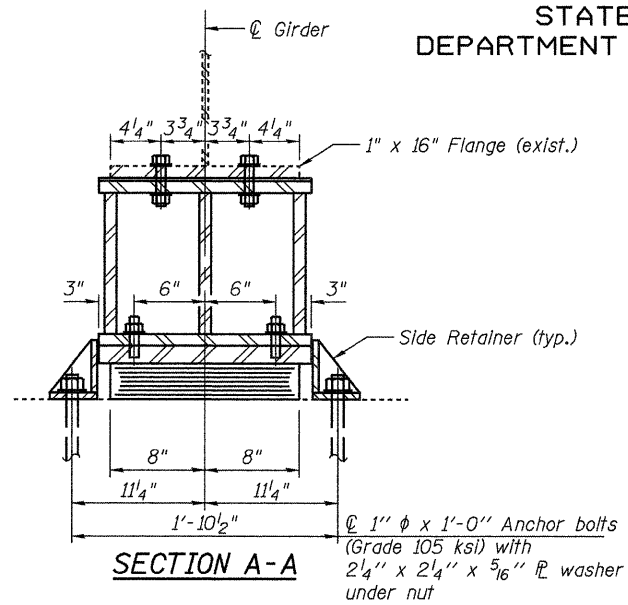


STATE OF ILLINOIS  
DEPARTMENT OF TRANSPORTATION

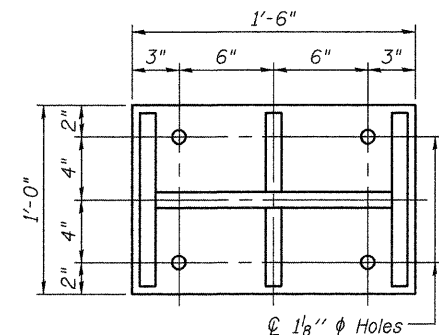


ELEVATION

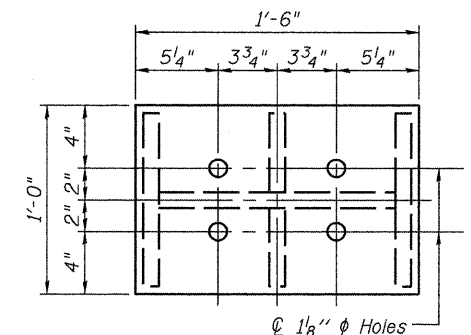
TYPE I ELASTOMERIC EXP. BRG.



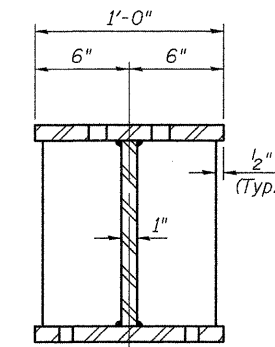
SECTION A-A



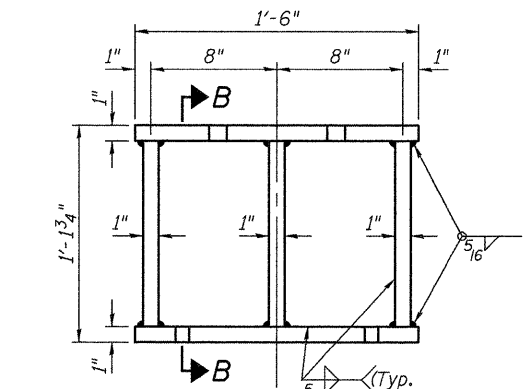
PLAN - BOTTOM



PLAN - TOP

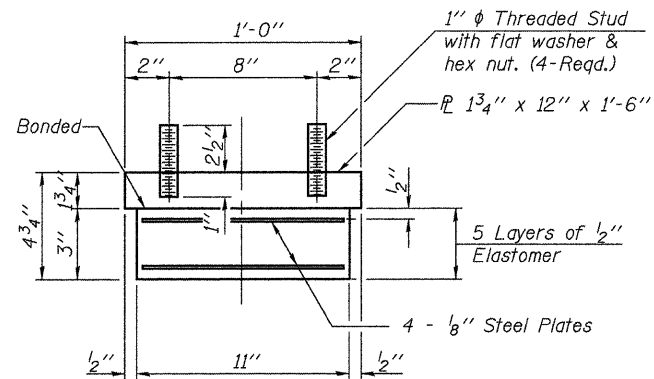


SECTION B-B



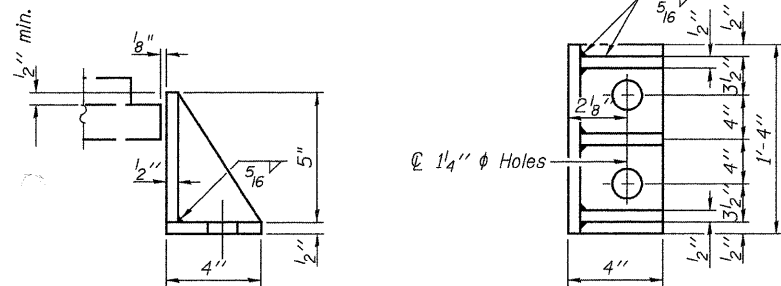
ELEVATION

STEEL EXTENSION



BEARING ASSEMBLY

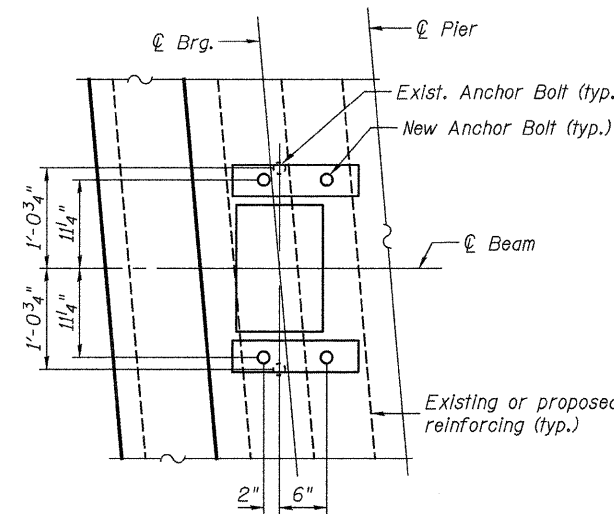
Note:  
Shim plates shall not be placed under Bearing Assembly.



SIDE RETAINER

Equivalent rolled angle with stiffeners will be allowed in lieu of welded plates.

Notes:  
Anchor bolts shall be ASTM F1554 all-thread (or an Engineer-approved alternate material) of the grade(s) and diameter(s) specified. ASTM A307 Grade C anchor bolts may be used in lieu of ASTM F1554 Grade 36 (Fy=36ksi). The corresponding specified grade of AASHTO M314 anchor bolts may be used in lieu of ASTM F1554.  
Anchor bolts for side retainers shall be installed in holes drilled after members are in place.  
Drilled and set anchor bolts shall be installed according to Article 521.06 of the Standard Specifications.  
Side retainers and other steel members required for the bearing assembly shall be included in the cost of Elastomeric Bearing Assembly, Type I.

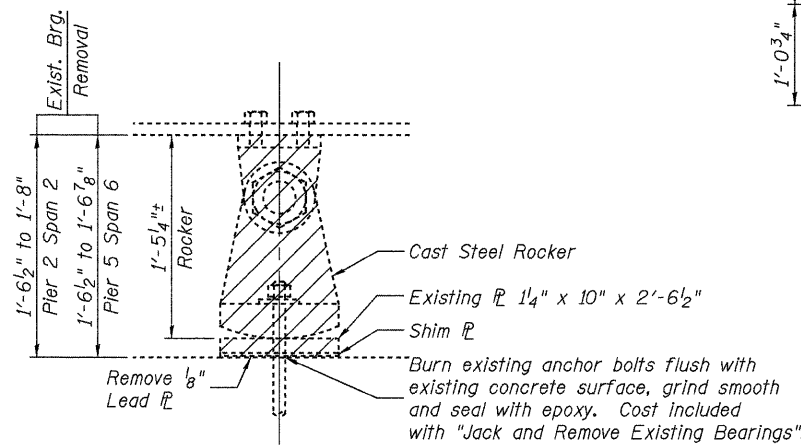


ANCHOR BOLT LAYOUT

Notes:  
See Additional Notes on Sheet 10 of 22.

BILL OF MATERIAL

Item	Unit	Pier 2	Pier 5
Jack and Remove Existing Bearings	Each	5	5
Elastomeric Bearing Assembly Type I	Each	5	5
Furnishing and Erecting Structural Steel	Pound	1570	1430
Anchor Bolts, 1"	Each	20	20



EXISTING BEARING REMOVAL

SHIM THICKNESS TABLE

Location	Girder 1	Girder 2	Girder 3	Girder 4	Girder 5
Pier 2-Span 2	1 1/8"	-	-	1/4"	1/2"
Pier 5-Span 6	-	-	-	1/4"	3/8"

INTERIOR GIRDER REACTION TABLE			
		Pier 2 - Span 2	Pier 5 - Span 6
R (DL)	(K)	51.5	44.0
R (LL)	(K)	53.8	55.3
R (Imp)	(K)	12.9	12.2
R (Total)	(K)	118.2	111.5
Minimum Jack Capacity	(Tons)	65	65

BEARINGS  
PIER 2-SPAN 2 & PIER 5-SPAN 6  
STRUCTURE NO. 079-0036

SHEET 11 OF 22	F.A.P. RTE.	SECTION	COUNTY	TOTAL SHEETS	SHEET NO.
	312	73BR-11	RANDOLPH	51	34
STA. 793+80		CONTRACT NO. 76883			
FED. ROAD DIST. NO.		ILLINOIS FED. AID PROJECT			