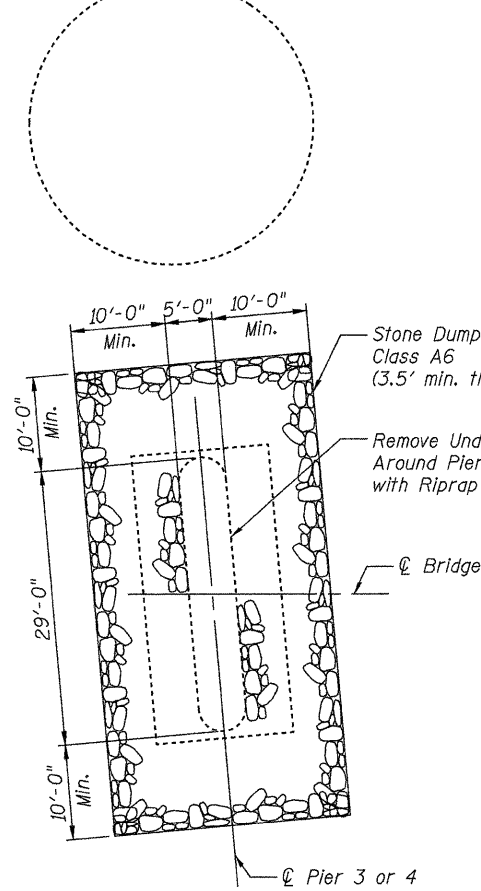


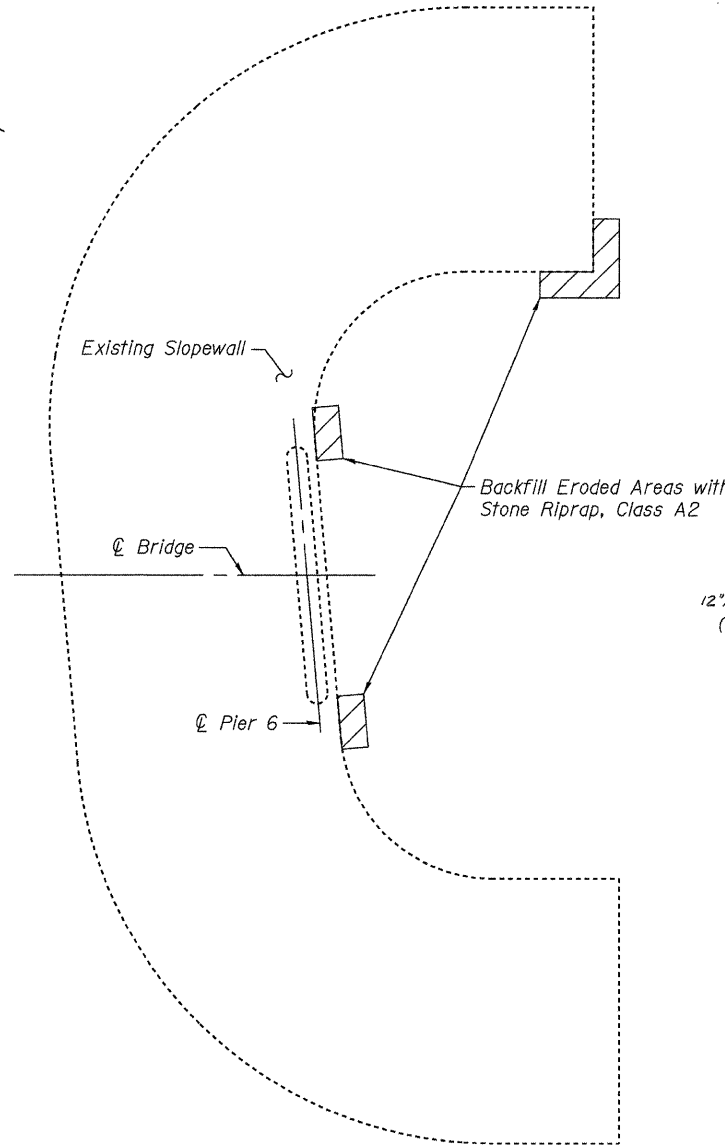
STATE OF ILLINOIS
DEPARTMENT OF TRANSPORTATION

Refurbish or replace Vertical Clearance Gauge,
on South-West Protection cell at Pier 3.
(See Detail)

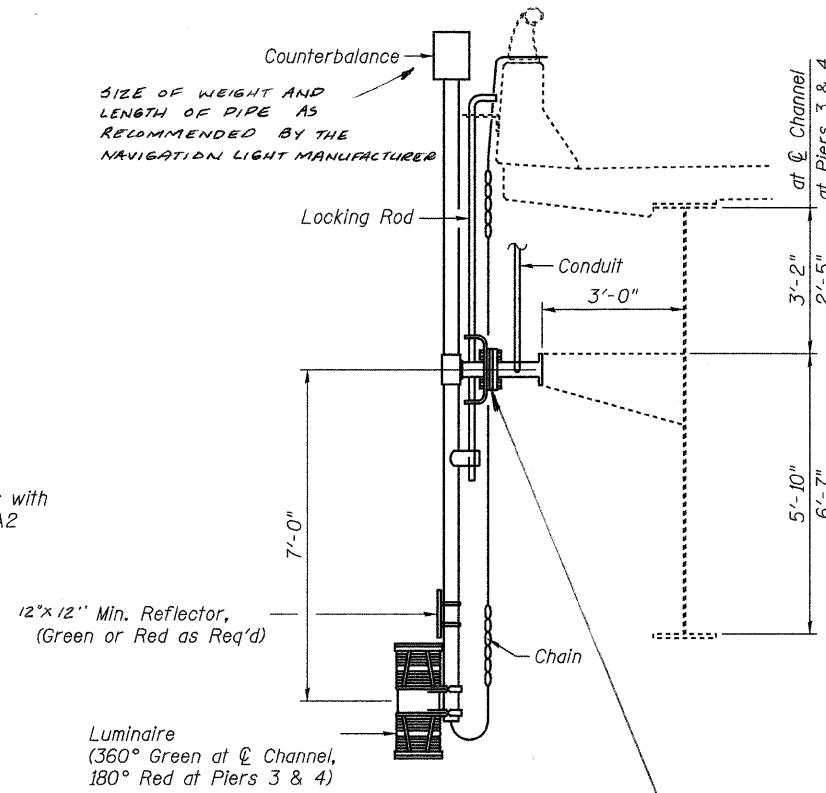


PLAN - AT PIERS 3 & 4

Refurbish or replace Vertical Clearance Gauge,
on North-East Protection cell at Pier 4.
(See Detail)



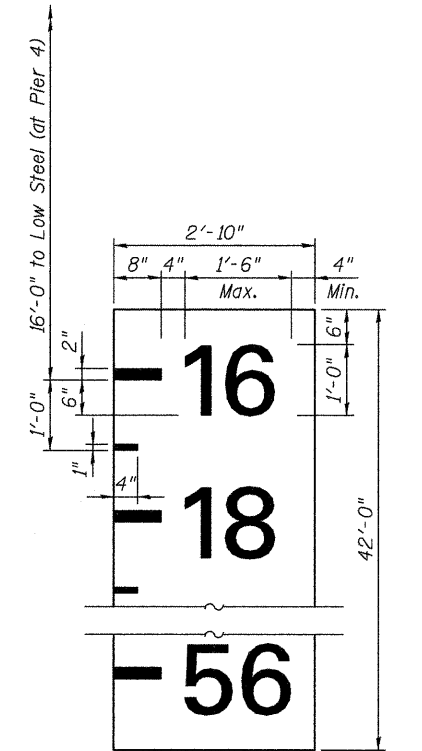
PLAN - AT PIER 6



SECTION AT NAVIGATION LIGHT

Navigation Light System shall be replaced, including light assemblies and conduit. See Special Provisions.

The existing navigation lights shall remain the property of Illinois Department of Transportation. The Contractor shall deliver the existing navigation lights to the IDOT maintenance facility at 12540 Sportsman Road, Highland, IL, 62249; phone number 618-654-5110.



VERTICAL CLEARANCE GAUGE

Also see Special Provisions.

MOUNTING SHALL INCLUDE A MAINTENANCE FREE, FULLY SEALED BEARING AT THE SWIVEL POINT.

JD Johnson, Depp & Quisenberry
CONSULTING ENGINEERS
Springfield, Illinois

DESIGNED: JDQ DRAWN: SJS/PTR
CHECKED: DCD CHECKED: DCD

MISCELLANEOUS DETAILS
STRUCTURE NO. 079-0036

F.A.P. RTE.	SECTION	COUNTY	TOTAL SHEETS	SHEET NO.
312	73BR-11	RANDOLPH	51	40
STA. 793+80		CONTRACT NO. 76883		
FED. ROAD DIST. NO.		ILLINOIS FED. AID PROJECT		

Rev.

FILE: J:\JDO\110175 IL-DBVV#4 IL 3 Kaskaskia River-FINAL 0790036-76883-017-misc1.dgn
USER: DCD
DATE: 02/15/2010 11:36:46