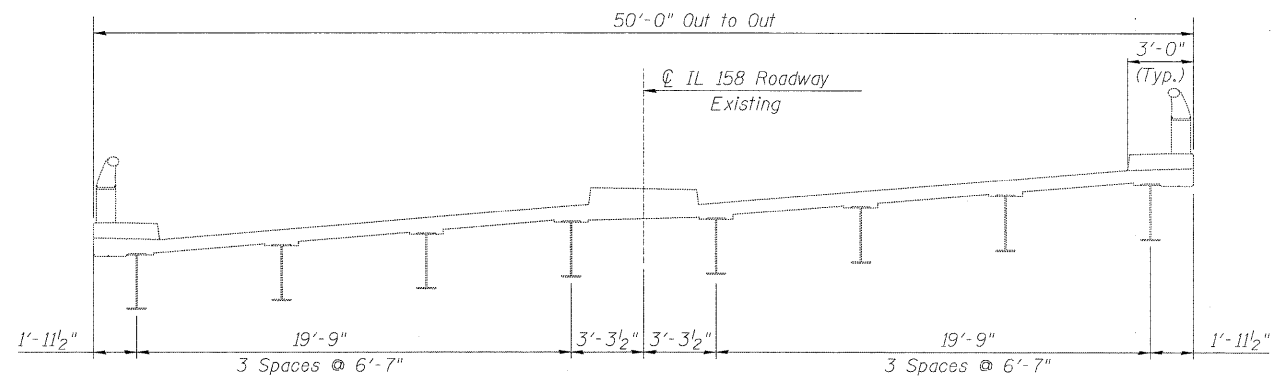
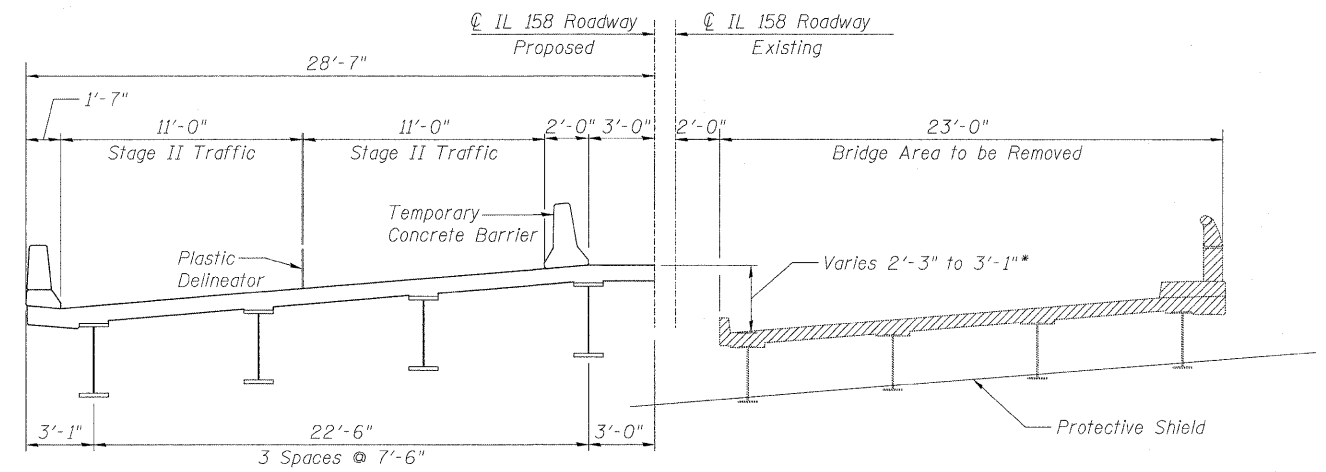


STATE OF ILLINOIS
DEPARTMENT OF TRANSPORTATION

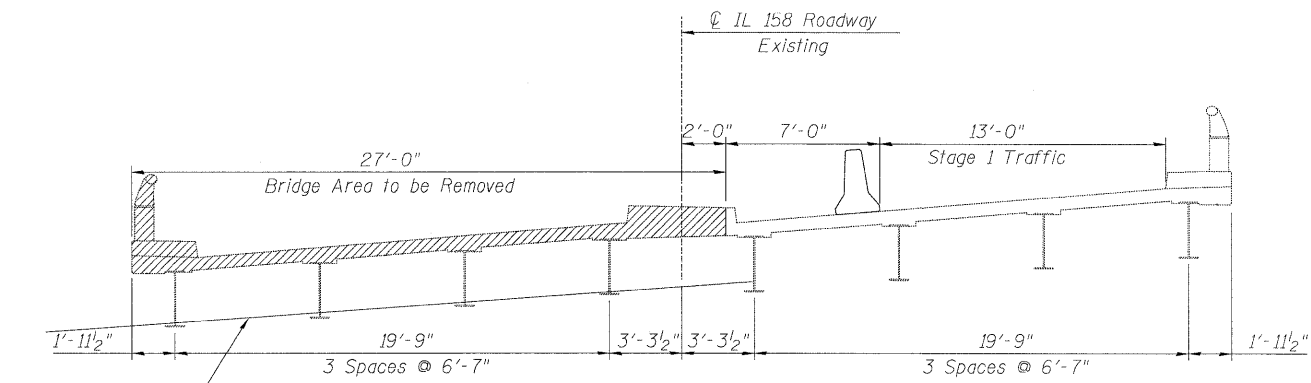
Note:
Dimensions are radial.



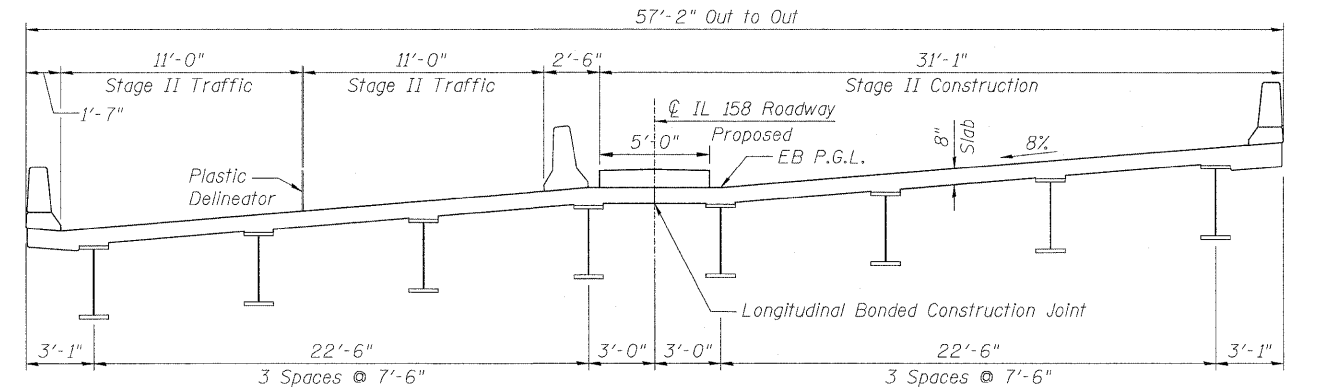
EXISTING CONDITION



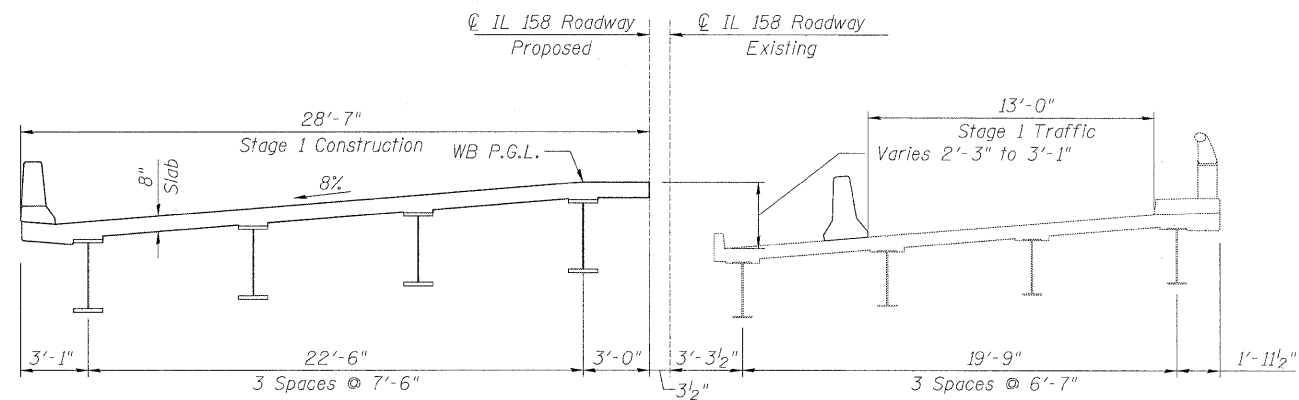
STAGE II BRIDGE DEMOLITION



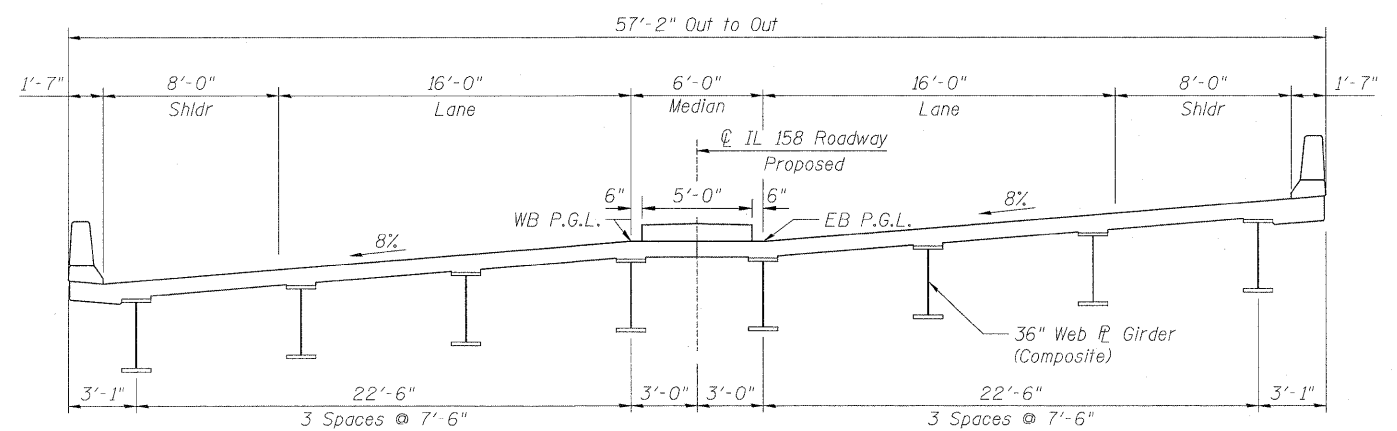
STAGE I BRIDGE DEMOLITION



STAGE II BRIDGE CONSTRUCTION



STAGE I BRIDGE CONSTRUCTION



FINAL CONDITION

Note:
Place Protective Shield as shown
over existing spans 2 and 3 only

CONSTRUCTION STAGING DETAILS
STRUCTURE NO. 067-0042

DESIGNED - JPM
CHECKED - WPM
DRAWN - GAP
CHECKED - JPM, WPM



9-28-09

SHEET NO. 3 34 SHEETS	F.A.P RTE.	SECTION	COUNTY	TOTAL SHEETS	SHEET NO.
	809	67-1HBR	Monroe	144	67
CONTRACT NO. 76977					
FED. ROAD DIST. NO. 7 ILLINOIS FED. AID PROJECT					