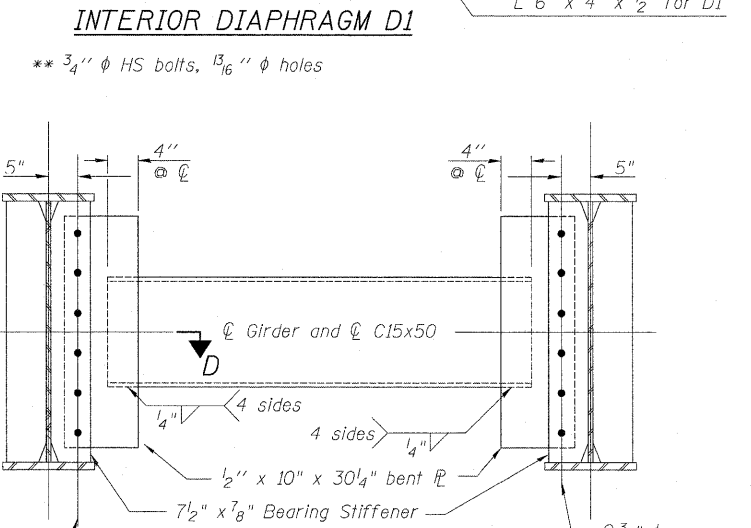
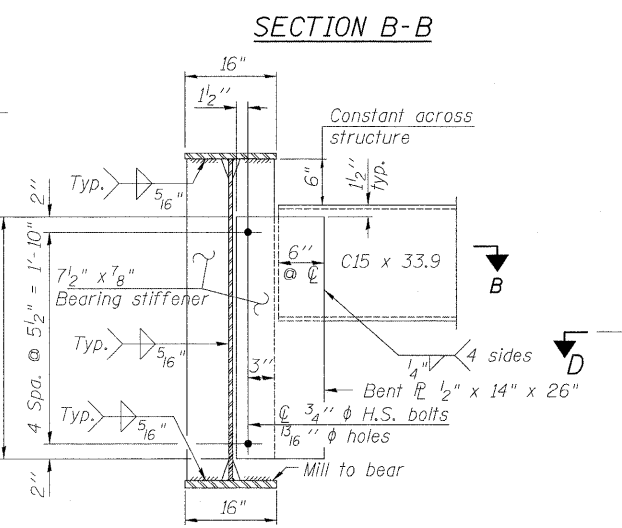
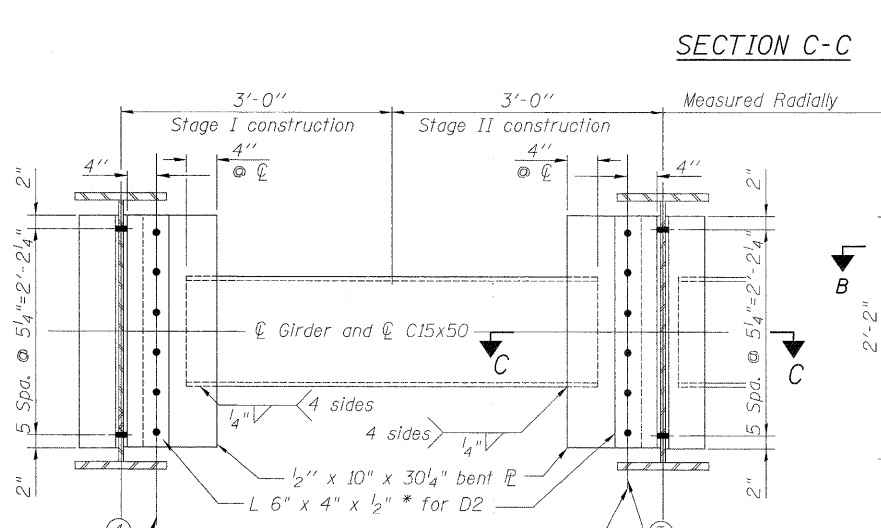
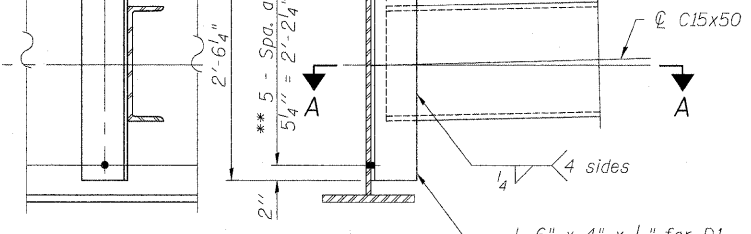
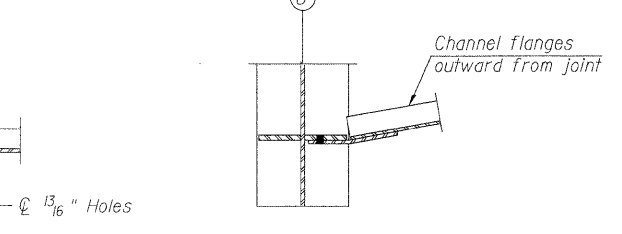
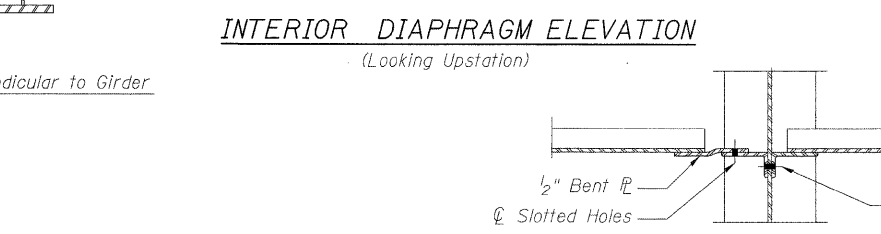
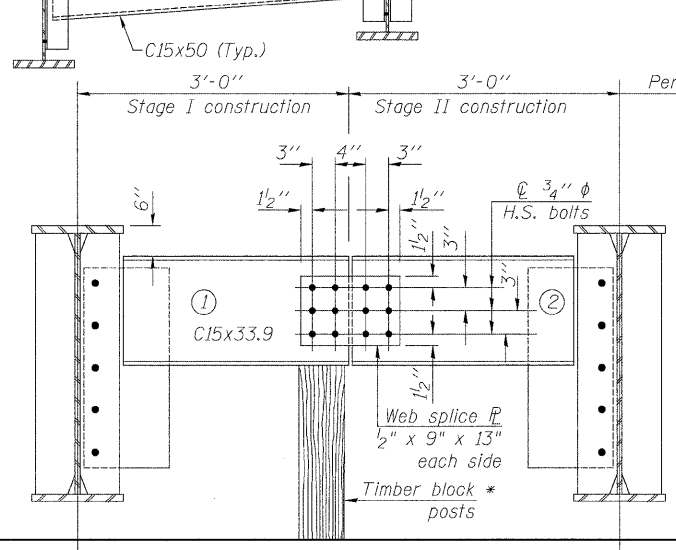
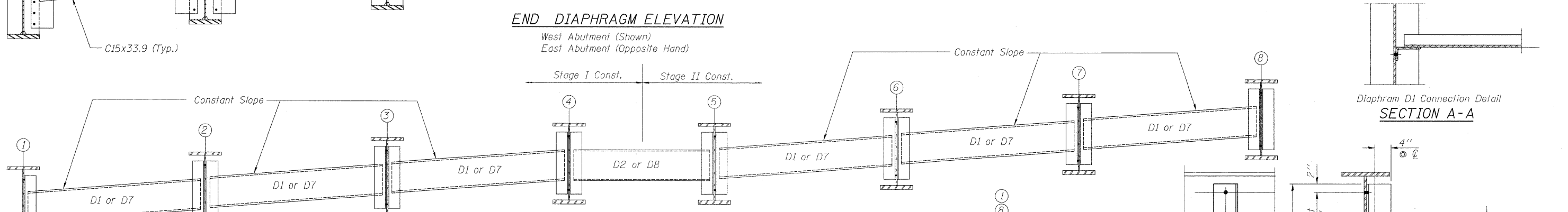
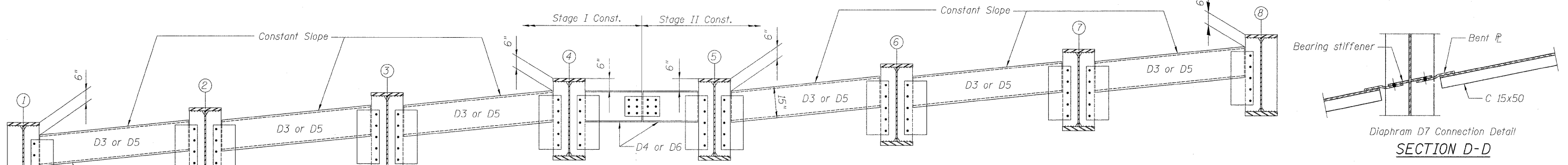


STATE OF ILLINOIS  
DEPARTMENT OF TRANSPORTATION



\* Cost of Timber Block Posts is included with Structural Steel.

- 1.) Order Diaphragm in two sections.
- 2.) Attach section ① of Diaphragm to Girder 4
- 3.) Place Timber Block Posts between section ① of diaphragm and abutment bearing section.
- 4.) Attach section ② of diaphragm to both Girder 5 and section ① of diaphragm during Stage II Construction with web splice plates.
- 5.) Remove Timber Block Posts.

\* Install angle on South side of Girder 4 during Stage I construction

Use 1/2" vert. x 7/8" slotted holes in angle & bent plate on north side of Girder ⑤ only. Provide hardened 3/8" structural plate washers for slotted holes. The bolts for slotted holes in angle on north side of Girder ⑤ shall be finger tightened only prior to the deck pour for Stage II Construction. The bolts shall be tightened after the deck is poured. Position slots so that bolts start at one end with no concrete load & finish near opposite end under deck load.

Slotted holes only necessary on D2 diaphragms

Notes:  
Two hardened washers required for each set of oversized holes.

DESIGNED - JPM
CHECKED - WPM
DRAWN - MD
CHECKED - JPM, WPM



9-28-09

Interior Diaphragm D8 similar except placed along skew and attached to the Pier Bearing Stiffeners. Include holes in Bearing Stiffener on South Side of Girder 4 & north side of Girder 5 Similar to holes in angle in detail above.

DIAPHRAGM DETAILS  
STRUCTURE NO. 067-0042

SHEET NO. 16 34 SHEETS	F.A.P. RTE.	SECTION	COUNTY	TOTAL SHEETS	SHEET NO.
	809	67-1HBR	Monroe	144	80
CONTRACT NO. 76977					
FED. ROAD DIST. NO. 7 ILLINOIS FED. AID PROJECT					