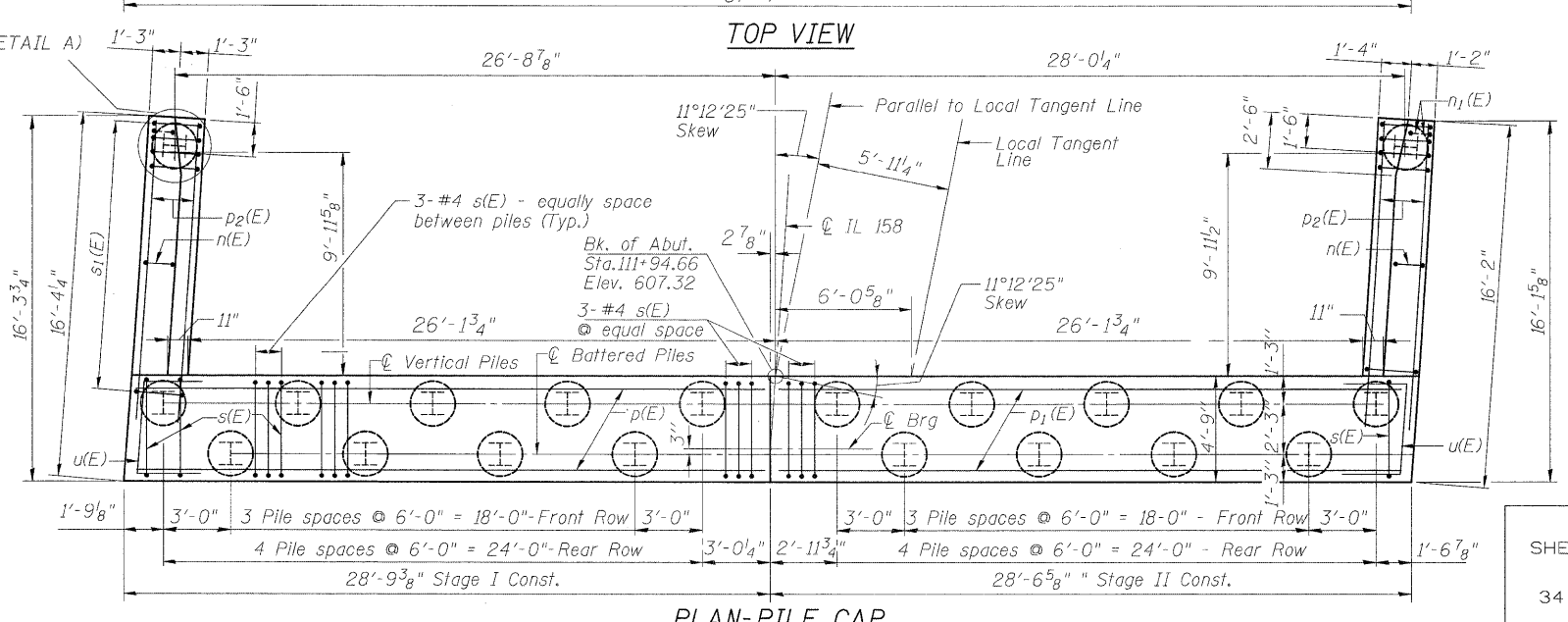
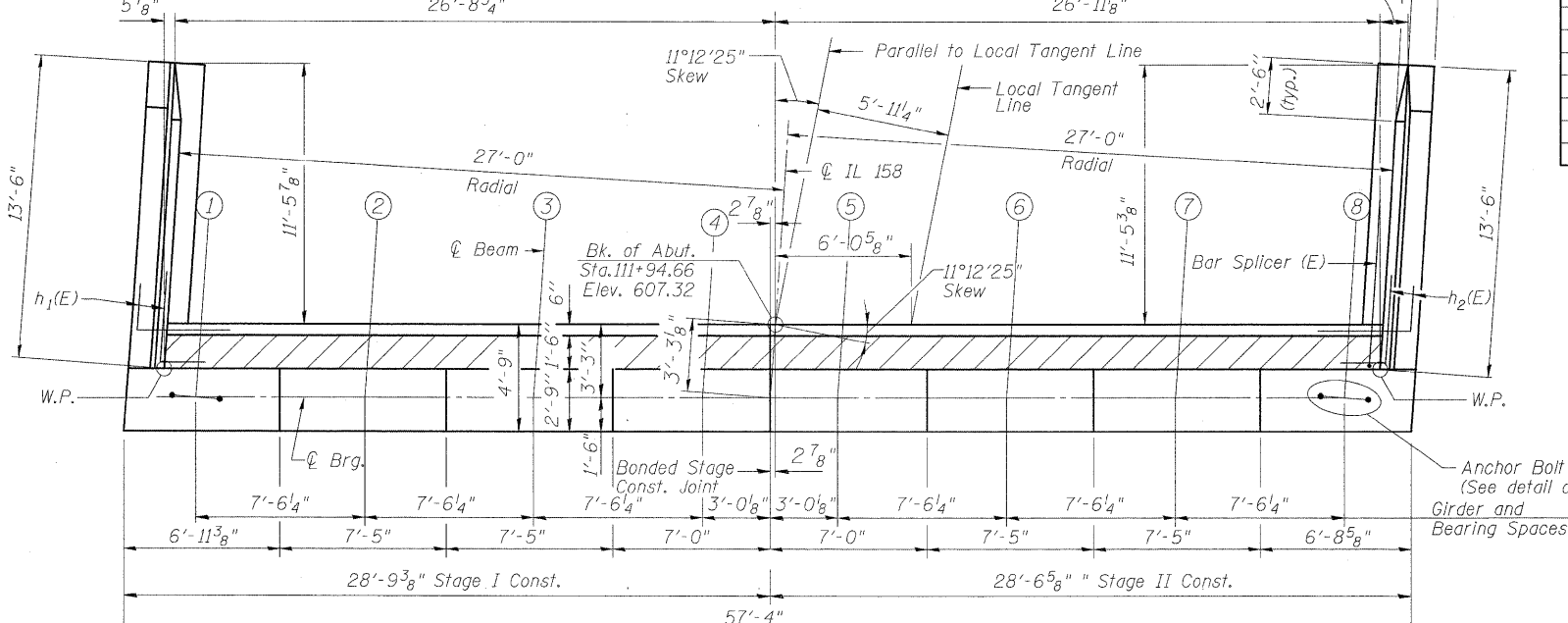
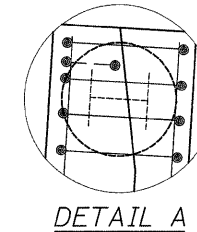
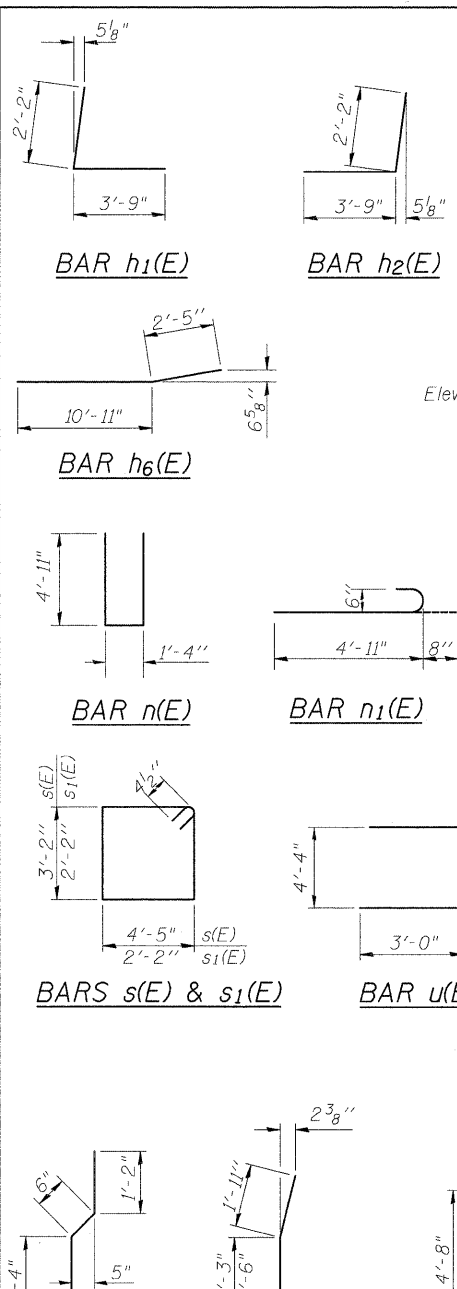
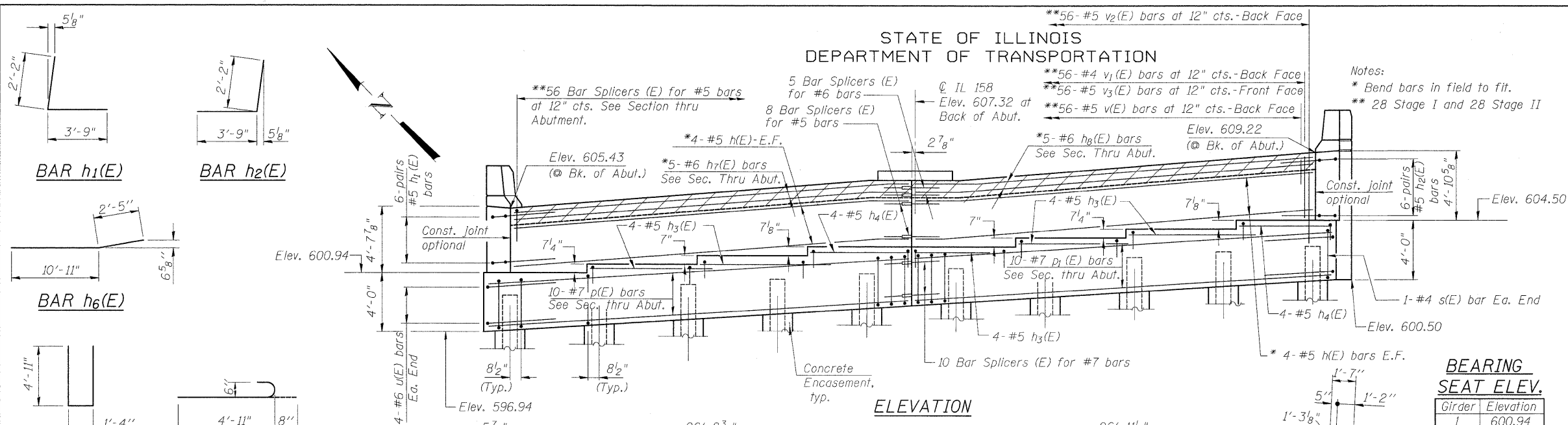


STATE OF ILLINOIS
DEPARTMENT OF TRANSPORTATION



Notes:
* Bend bars in field to fit.
** 28 Stage I and 28 Stage II

BEARING SEAT ELEV.

| Girder | Elevation |
|--------|-----------|
| 1 | 600.94 |
| 2 | 601.54 |
| 3 | 602.13 |
| 4 | 602.72 |
| 5 | 602.72 |
| 6 | 603.31 |
| 7 | 603.91 |
| 8 | 604.50 |

ABUTMENT
BILL OF MATERIAL

| Bar | No. | Size | Length | Shape |
|-----------------------------------|---------|------|---------|-------|
| h(E) | 16 | #5 | 28'-4" | |
| h1(E) | 12 | #5 | 5'-11" | |
| h2(E) | 12 | #5 | 5'-11" | |
| h3(E) | 20 | #5 | 8'-11" | |
| h4(E) | 8 | #5 | 6'-5" | |
| h5(E) | 24 | #4 | 13'-3" | |
| h6(E) | 16 | #4 | 13'-4" | |
| h7(E) | 5 | #6 | 26'-11" | |
| h8(E) | 5 | #6 | 26'-9" | |
| n(E) | 24 | #6 | 11'-2" | |
| n1(E) | 12 | #6 | 5'-7" | |
| p(E) | 10 | #7 | 28'-7" | |
| p1(E) | 10 | #7 | 28'-5" | |
| p2(E) | 12 | #7 | 16'-1" | |
| s(E) | 56 | #4 | 15'-11" | |
| s1(E) | 30 | #4 | 9'-5" | |
| u(E) | 8 | #6 | 10'-4" | |
| v(E) | 56 | #5 | 3'-4" | |
| v1(E) | 56 | #4 | 3'-0" | |
| v2(E) | 56 | #5 | 5'-7" | |
| v3(E) | 56 | #5 | 6'-9" | |
| v4(E) | 15 | #6 | 7'-2" | |
| v5(E) | 15 | #6 | 7'-5" | |
| v6(E) | 12 | #6 | 7'-4" | |
| v7(E) | 12 | #6 | 7'-7" | |
| v8(E) | 3 | #6 | 7'-2" | |
| v9(E) | 3 | #6 | 7'-5" | |
| Structure Excavation | Cu. Yd. | | 80 | |
| Concrete Structures | Cu. Yd. | | 76 | |
| Reinforcement Bars, Epoxy Coated | Pound | | 6,281 | |
| Furnishing Steel Piles HP 12 x 53 | Foot | | 513 | |
| Driving Piles | Foot | | 513 | |
| Test Pile Steel HP 12 x 53 | Each | | 1 | |
| Pile Shoes | Each | | 20 | |
| Concrete Encasement | Cu. Yd. | | 7.0 | |
| Concrete Sealer | Sq. Ft. | | 627 | |

Notes:
1. For details of Bar Splicers, see sheet 27 of 34.
2. For details of piles and Concrete Encasement, see sheet 26 of 34
3. Work this sheet with sheet 24 of 34.
4. Hatched area to be poured after superstructure false work has been removed. Quantity of concrete included with Concrete Superstructure.

PILE DATA

Type: Steel - HP 12 x 53 with Pile Shoes
Allowable Resistance Available: 140 kips
Nominal Required Bearing: 420 kips
Est. Length: 27 ft
No. Production Piles: 19
No. Test Piles: 1

Notes:
See sheet 4 of 34 for Test Pile location.

EAST ABUTMENT DETAILS
STRUCTURE NO. 067-0042

DESIGNED - JPM
CHECKED - EHP
DRAWN - JPM
CHECKED - WPM
9-28-09



| | | | | | |
|---|--------------------|--------------------|------------------|---------------------|-----------------|
| SHEET NO.23 34 SHEETS | F.A.P. RTE. 809 | SECTION 67-1HBR | COUNTY Monroe | TOTAL SHEETS 144 | SHEET NO. 87 |
| | CONTRACT NO. 76977 | | | | |
| FED. ROAD DIST. NO. 7 ILLINOIS FED. AID PROJECT | | | | | |