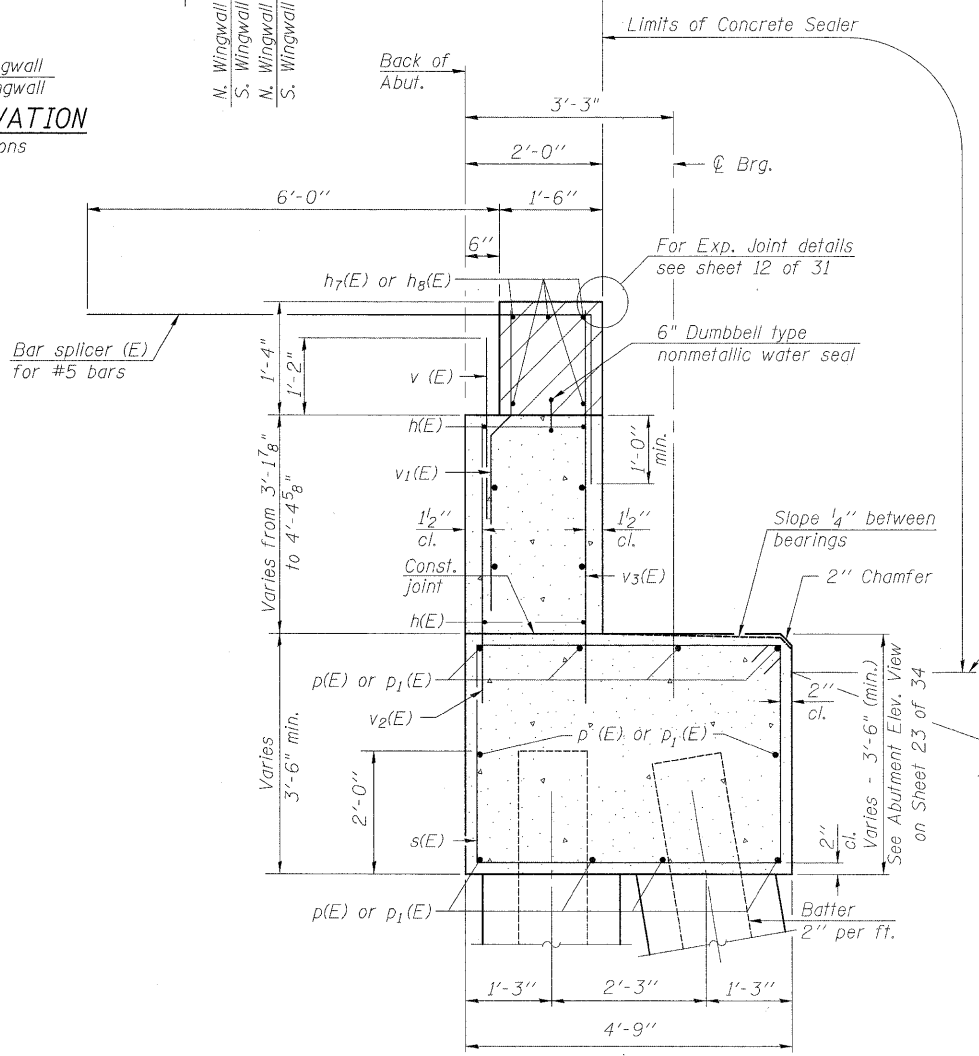
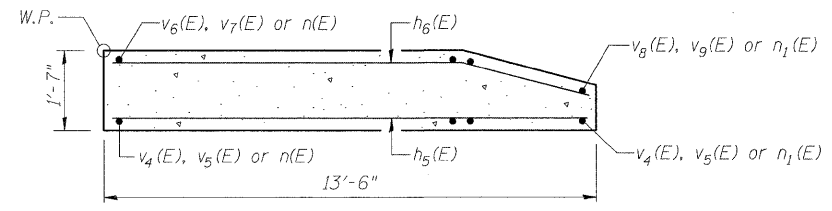
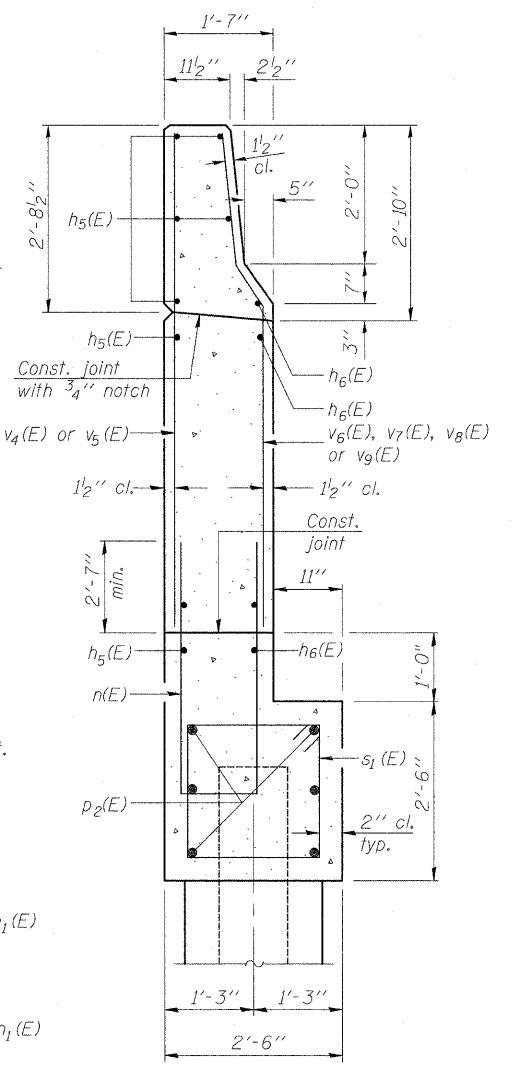
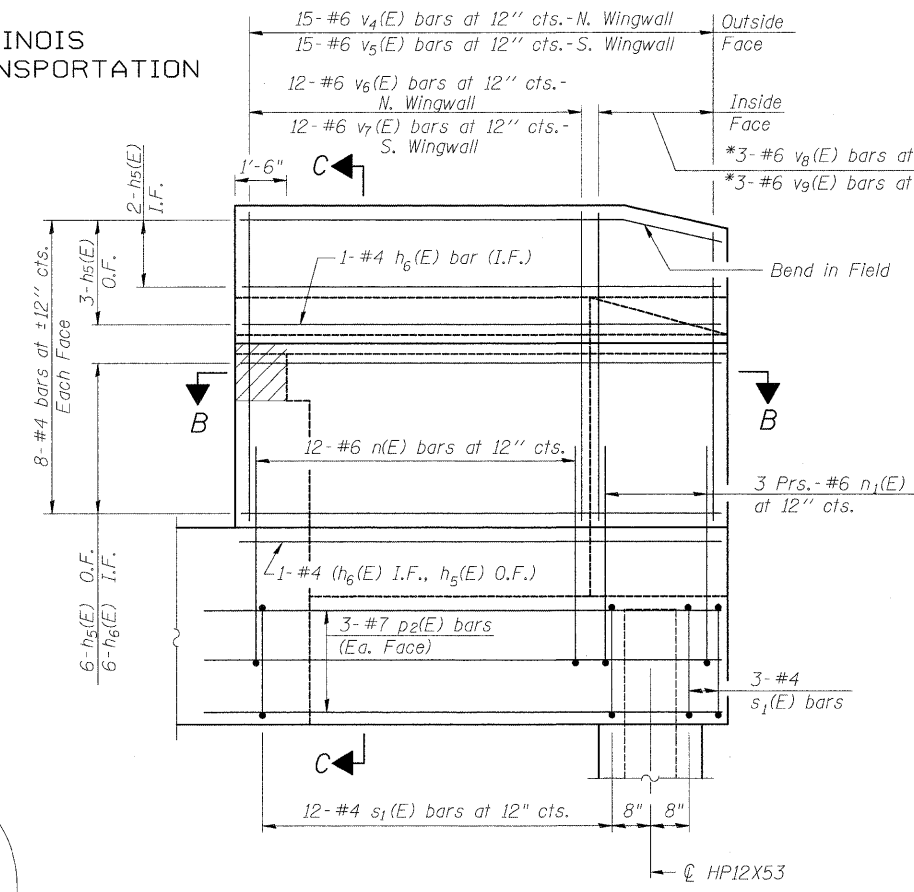
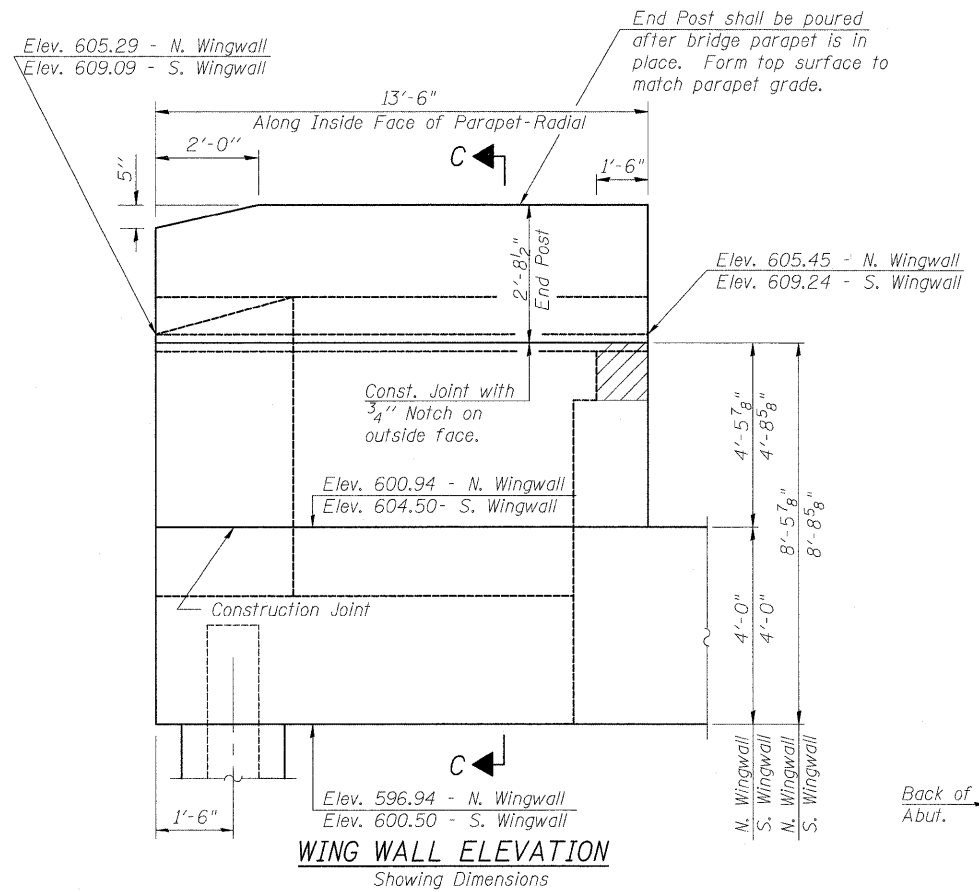


STATE OF ILLINOIS
DEPARTMENT OF TRANSPORTATION



- Notes:
- Hatched area to be poured after superstructure false work has been removed. Quantity of concrete included with Concrete Superstructure.
 - Space reinforcement in cap to miss anchor bolts.
 - Pour steps monolithically with cap.
 - Quantity of concrete in end post included with Concrete Superstructure on sheet 11 of 34.
 - For Concrete Encasement details, see sheet 26 of 34.
 - Work this sheet with sheet 23 of 34.

EAST ABUTMENT WINGWALL DETAILS
STRUCTURE NO. 067-0042

DESIGNED - JPM
CHECKED - EHP
DRAWN - MD
CHECKED - JPM, WPM



9-28-09

SHEET NO.24 34 SHEETS	F.A.P RTE. 809	SECTION 67-1HBR	COUNTY Monroe	TOTAL SHEETS 144	SHEET NO. 88
	CONTRACT NO. 76977				
FED. ROAD DIST. NO. 7 ILLINOIS FED. AID PROJECT					