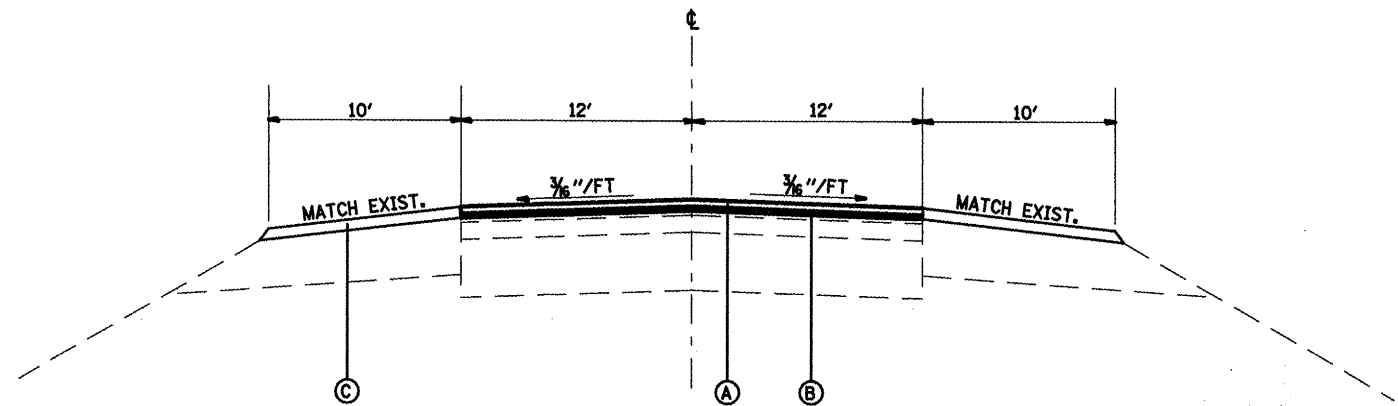
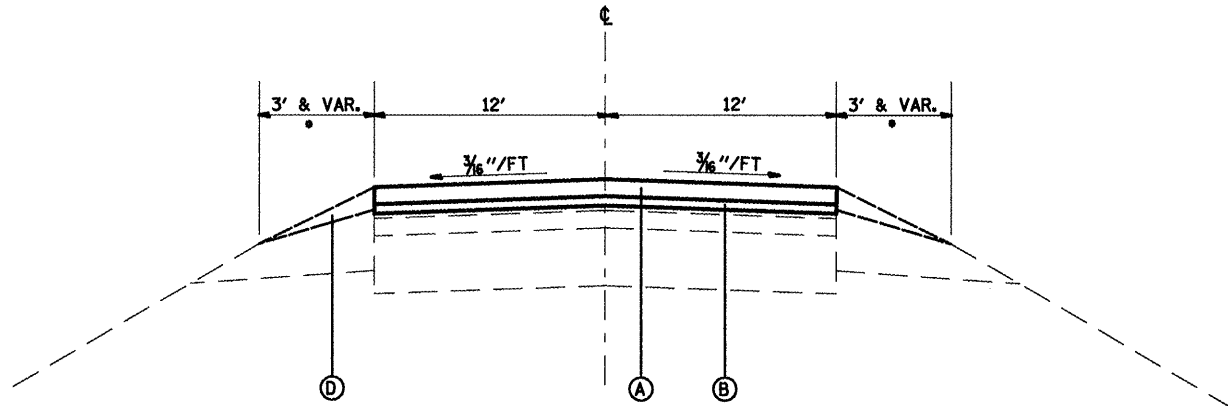


TANGENT SECTION
 STA. 0+00 TO STA. 160+00
 STA. 591+82 TO STA. 626+09.88

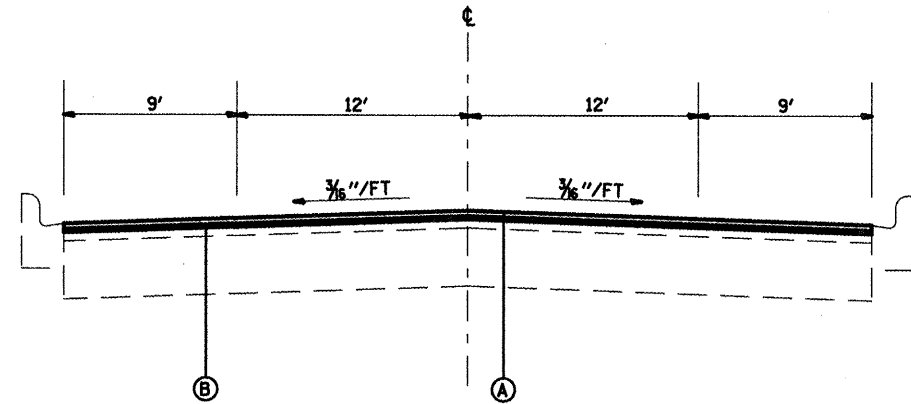


TANGENT SECTION
 STA. 500+85.33 TO STA. 517+61.84

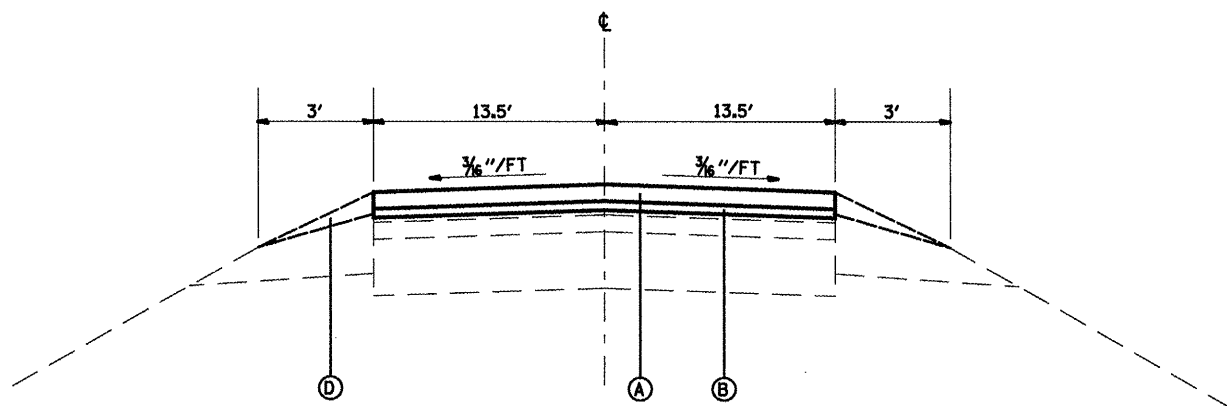


•5' EXIST. PAVED SHOULDERS
 AT THE IL 161 INTERSECTION

TANGENT SECTION
 STA. 160+00 TO STA. 468+04.26
 STA. 626+09.88 TO STA. 635+00



TANGENT SECTION
 STA. 517+61.84 TO STA. 539+25.53



TANGENT SECTION
 STA. 468+04.26 TO STA. 500+85.33

- LEGEND**
- (A) PROP. HMA SURFACE COURSE, MIX D, N70, 1-1/2"
 - (B) PROP. LEVELING BINDER (MM), N70, 3/4"
 - (C) PROP. HMA SHOULDERS, 2-1/4"
 - (D) PROP. AGGREGATE WEDGE SHOULDER, TYPE B, 1-1/2"

FILE NAME =	USER NAME = conoverpj	DESIGNED -	REVISED -
et\pw_work\VP\WIDOT\CONOVERPJ\j0119570\d876b75-shd-plan.dgn		DRAWN -	REVISED -
PLOT SCALE = 100.0000' / IN.		CHECKED -	REVISED -
PLOT DATE = 1/15/2010		DATE -	REVISED -

**STATE OF ILLINOIS
 DEPARTMENT OF TRANSPORTATION**

PROPOSED TYPICAL SECTIONS

SCALE: _____ SHEET NO. 3 OF 4 SHEETS STA. _____ TO STA. _____

*FAS 2826/FAU 8565

F.A. RTE.	SECTION	COUNTY	TOTAL SHEETS	SHEET NO.
•	106,107,108,109RS-3	MARION	47	6
CONTRACT NO. 76B75				
FED. ROAD DIST. NO. ILLINOIS FED. AID PROJECT				