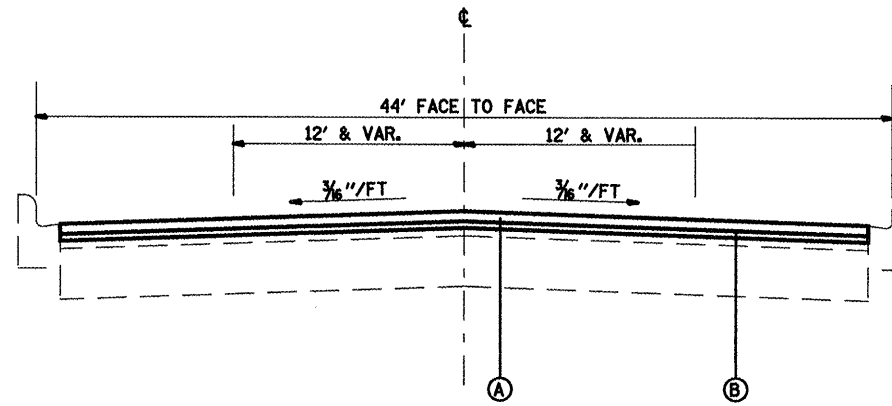
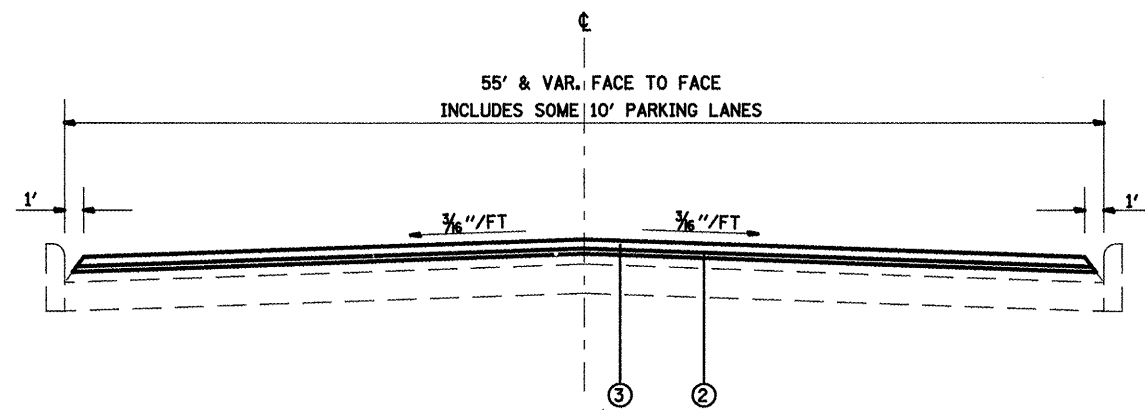


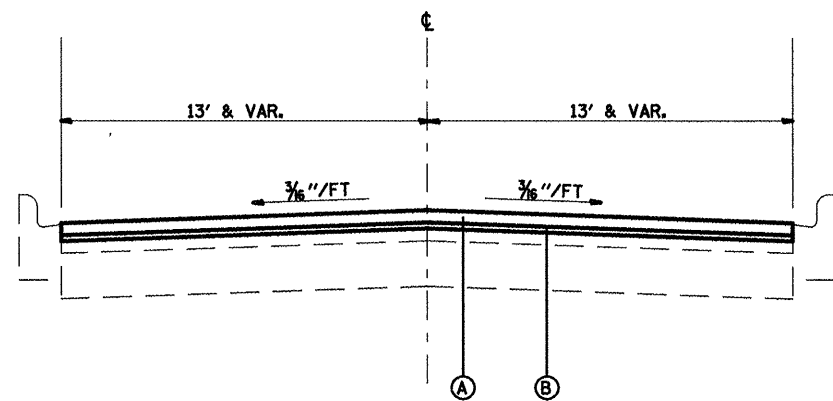
**TANGENT SECTION**  
 STA. 539+25.53 TO STA. 553+41.20  
 STA. 558+84.84 TO STA. 562+27.73



**TANGENT SECTION**  
 STA. 584+56.46 TO STA. 591+82



**TANGENT SECTION**  
 STA. 553+41.20 TO STA. 558+84.84



**TANGENT SECTION**  
 STA. 562+27.73 - 584+56.46

- LEGEND**
- (A) PROP. HMA SURFACE COURSE, MIX D, N70, 1-1/2"
  - (B) PROP. LEVELING BINDER (MM), N70, 3/4"
  - (C) PROP. HMA SHOULDERS, 2-1/4"
  - (D) PROP. AGGREGATE WEDGE SHOULDER, TYPE B, 1-1/2"

FILE NAME =	USER NAME = conoverpj	DESIGNED -	REVISD -
ca:\pwwork\pwidot\CONOVERPJ\08119570\d876b75-ahh-plan.dgn		DRAWN -	REVISD -
PLOT SCALE = 100.0000' / IN.		CHECKED -	REVISD -
PLOT DATE = 1/15/2010		DATE -	REVISD -

STATE OF ILLINOIS  
 DEPARTMENT OF TRANSPORTATION

PROPOSED TYPICAL SECTIONS

SCALE: SHEET NO. 4 OF 4 SHEETS STA. TO STA.

\*FAS 2826/FAU 0565

F.A. RTE.	SECTION	COUNTY	TOTAL SHEETS	SHEET NO.
	(106,107,108,109)RS-3	MARTON	47	7
FED. ROAD DIST. NO. ILLINOIS FED. AID PROJECT			<b>CONTRACT NO. 76B75</b>	