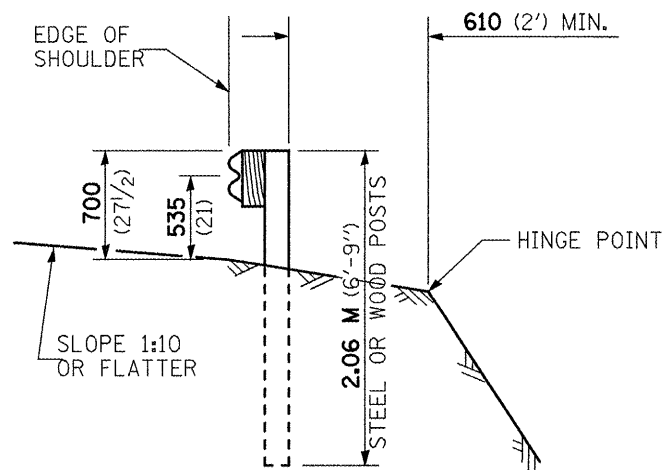
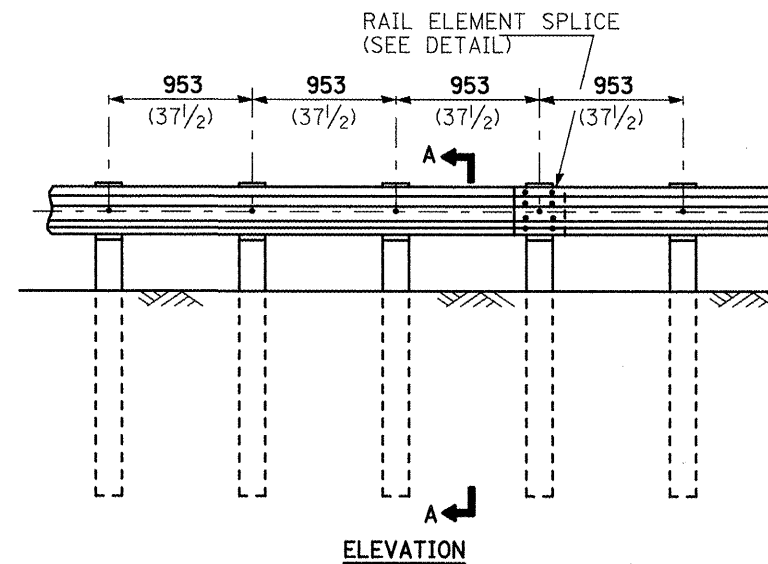


**TYPE A**

1.905 M (6'-3") TYPICAL POST SPACING

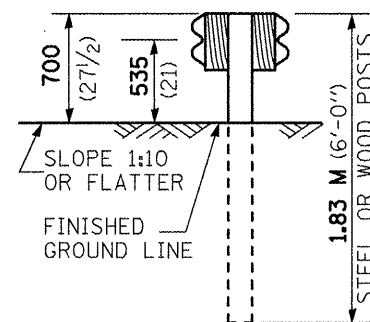


**SECTION A-A**

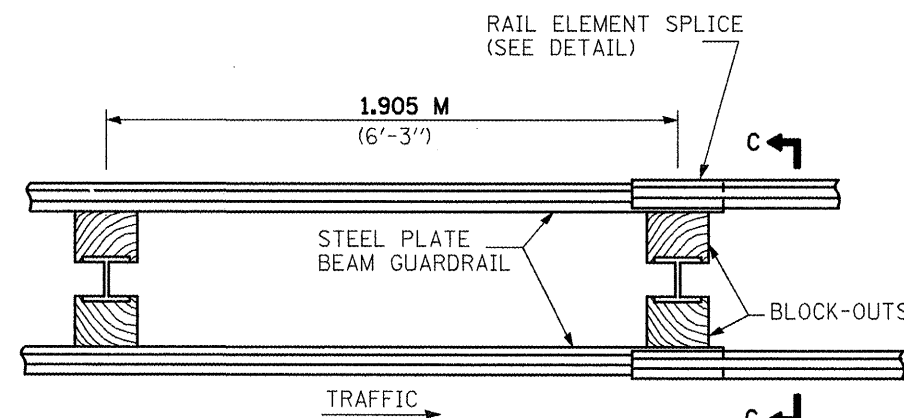


**TYPE B**

953 (37 1/2) CLOSED POST SPACING

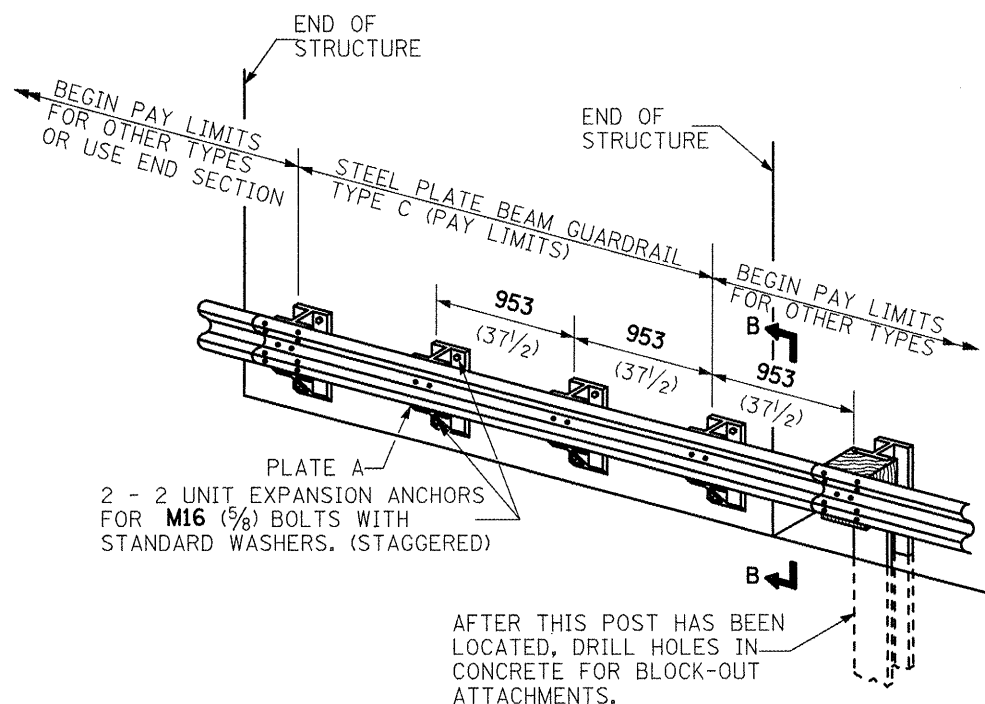


**SECTION C-C**



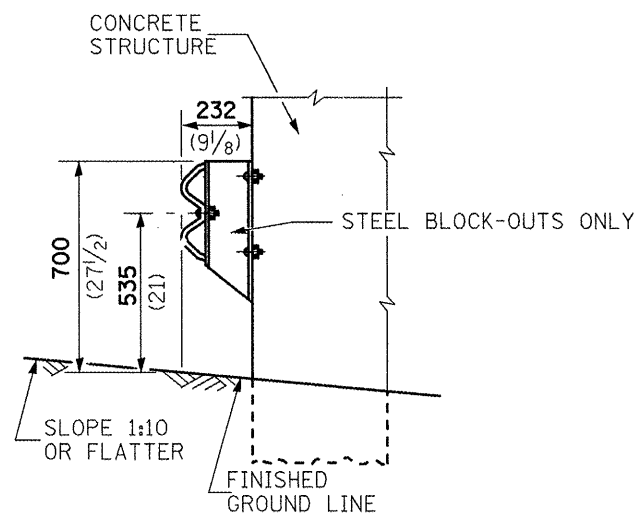
**TYPE D**

DOUBLE STEEL PLATE BEAM GUARDRAIL  
1.905 M (6'-3") TYPICAL POST SPACING



**TYPE C**

953 (37 1/2) BLOCK-OUT SPACING



**SECTION B-B**

**GENERAL NOTES**

ALL SLOPE RATIOS ARE EXPRESSED AS UNITS OF VERTICAL DISPLACEMENT TO UNITS OF HORIZONTAL DISPLACEMENT (V:H).

ALL DIMENSIONS ARE IN MILLIMETERS (INCHES) UNLESS OTHERWISE SHOWN.

THE EXISTING STEEL POSTS MAY BE DRILLED TO MATCH THE BOLT PATTERN SHOWN HEREIN FOR THE WOOD BLOCK-OUT, OR A NEW STEEL POST SHALL BE PROVIDED.

THIS DETAIL IS APPLICABLE TO THE GUARDRAIL SYSTEM USED PRIOR TO JANUARY 1, 2007. FOR DETAILS ON THE MIDWEST GUARDRAIL SYSTEM, SEE STANDARD 630001.

FILE NAME =	USER NAME = conover.pj	DESIGNED -	REVISD -
et:\pwwork\p\1001\CONOVER\J\0119570\dsg\6b75-shr-plan.dgn		DRAWN -	REVISD -
	PLOT SCALE = 100,0000' / IN.	CHECKED -	REVISD -
	PLOT DATE = 1/15/2010	DATE -	REVISD -

<b>STATE OF ILLINOIS DEPARTMENT OF TRANSPORTATION</b>	
---	--

<b>REMOVE AND REERECT STEEL PLATE BEAM GUARDRAIL DETAIL</b>	
SCALE: _____	SHEET NO. 1 OF 3 SHEETS
STA. _____	TO STA. _____

*FAS 2826/FAU 8565				
F.A. RTE.	SECTION	COUNTY	TOTAL SHEETS	SHEET NO.
•	(106,107,108,109)RS-3	marion	47	35
FED. ROAD DIST. NO. _____			ILLINOIS FED. AID PROJECT	
<b>CONTRACT NO. 76B75</b>				