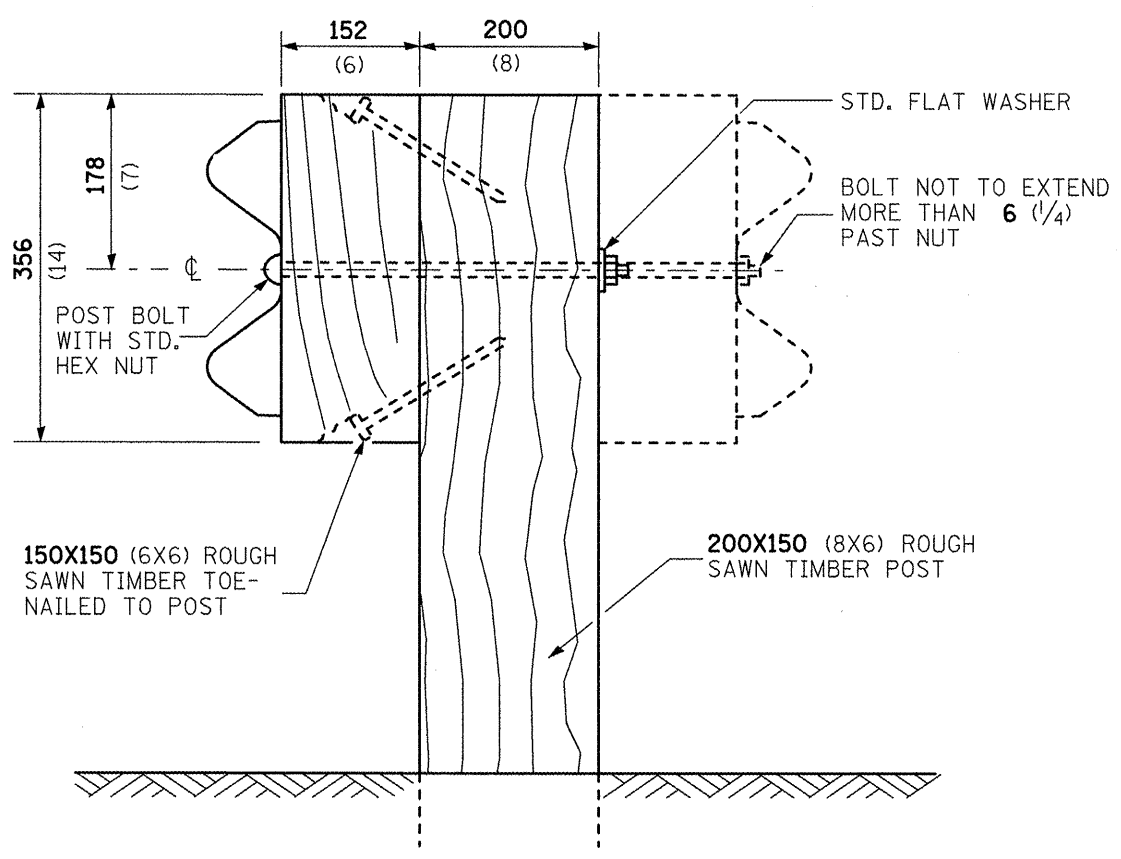
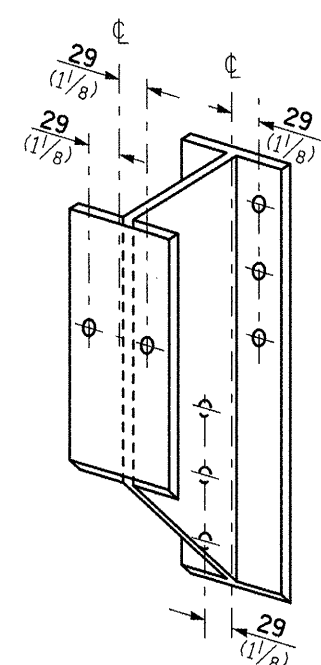


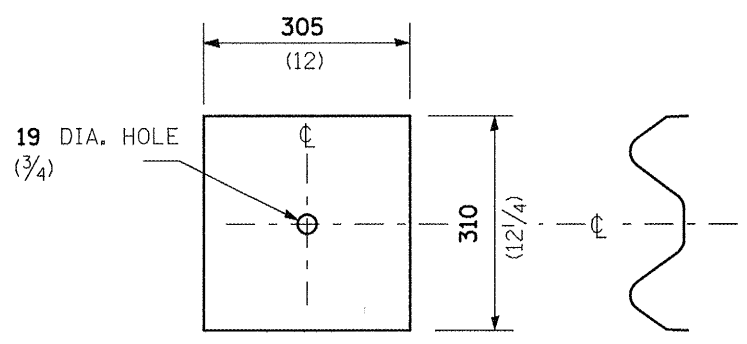
STEEL POST CONSTRUCTION



WOOD POST CONSTRUCTION



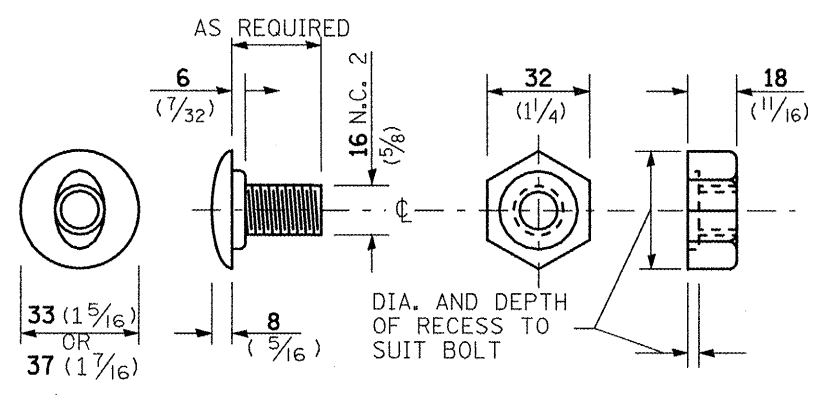
STEEL BLOCK-OUT DETAIL



NOTE

PLATE A SHALL BE PLACED BETWEEN RAIL ELEMENT AND BLOCK-OUT AT NON-SPLICE MOUNTING POINTS ONLY WHEN STEEL BLOCK-OUTS ARE USED.

PLATE A



POST OR SPLICE BOLT & NUT

FILE NAME =	USER NAME = conoverpj	DESIGNED -	REVISED -	STATE OF ILLINOIS DEPARTMENT OF TRANSPORTATION	REMOVE AND REERECT STEEL PLATE BEAM GUARDRAIL DETAIL	*FAS 2826/FAU 8565				
ca:\pwwork\pwidot\CONOVERPJ\d0119578.dwg	7b75-shit-plan.dgn	DRAWN -	REVISED -			F.A. RTE.	SECTION	COUNTY	TOTAL SHEETS	SHEET NO.
PLOT SCALE = 100.0000 // IN.		CHECKED -	REVISED -			•	(106,107,108,109RS-3	MARION	47	37
PLOT DATE = 1/15/2010		DATE -	REVISED -			CONTRACT NO. 76875				
					SCALE:	SHEET NO. 3 OF 3 SHEETS	STA.	TO STA.		
					FED. ROAD DIST. NO. ILLINOIS FED. AID PROJECT					